

AK-26 Quick Installation Guide (EN)

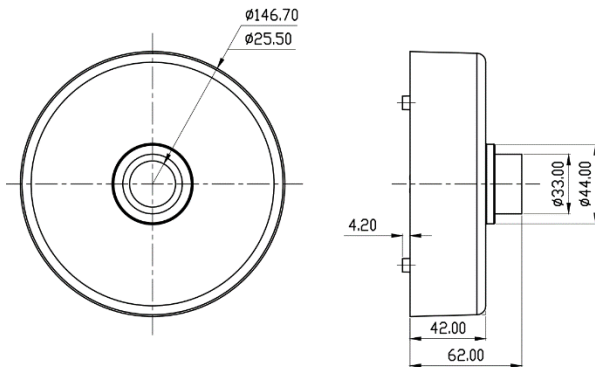
PRIOR to USE

Install the mount onto a strong structure such as concrete wall

Use the supplied accessories when installing the mount bracket depends on mounting position

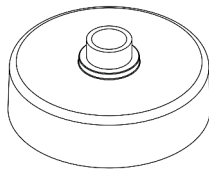
DIMENSION (Unit: mm)

SPECIFICATION

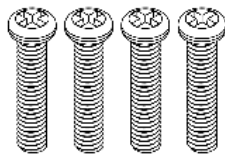


Construction: Aluminum Cast
Environment: Ceiling mount for a Bullet
Dimension (mm): 146.7x62.0mm
Weight: 296g (0.55 lb)

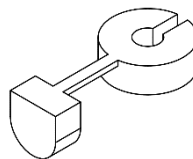
PARTS SUPPLIED



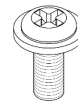
Junction Box



4 x Screws



Stopper For Wire



Screw

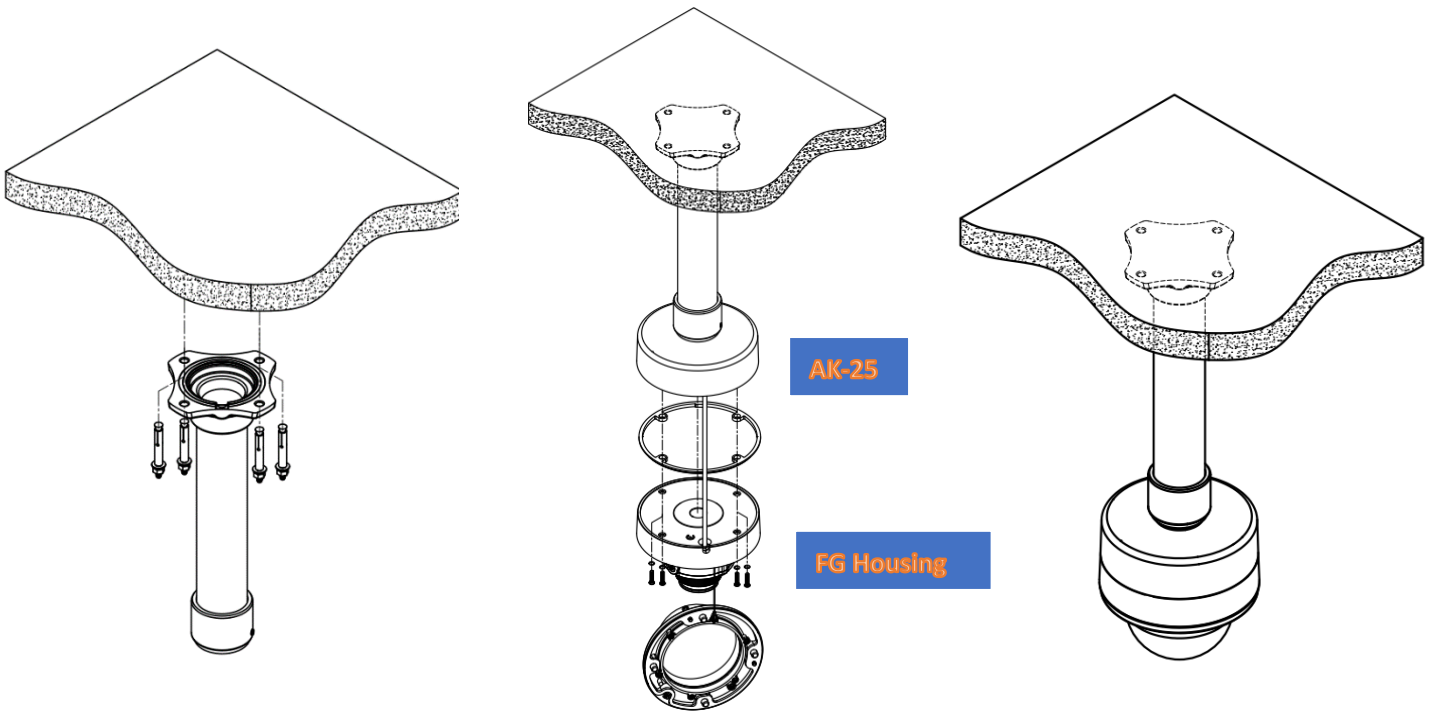


QIG

INSTALLATION

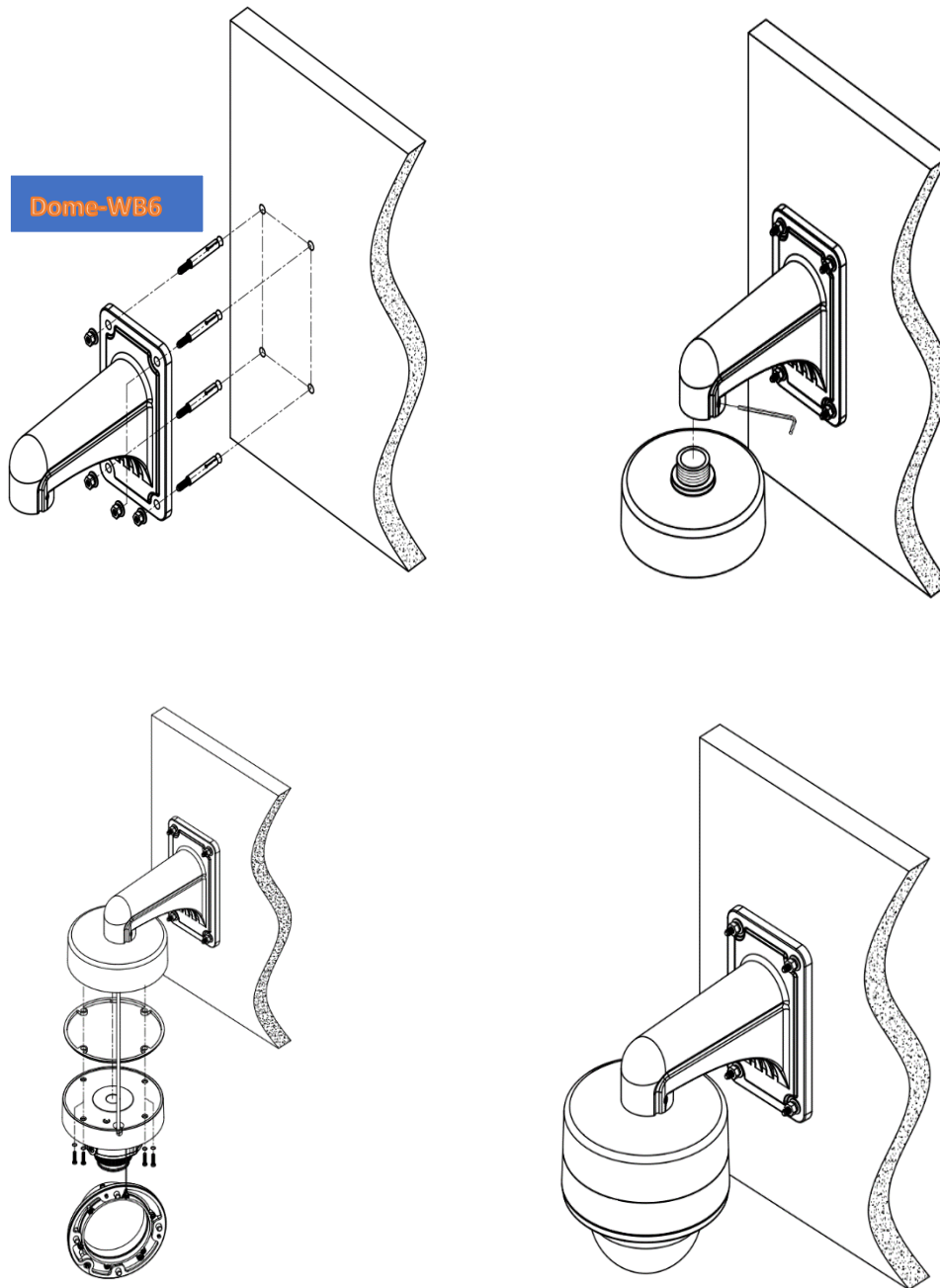
● Ceiling Mount

1. Locate at the installation position and drill the wall.
2. Hammer the 4 expansion screws into the wall holes drilled
3. Route the power and BNC cable through the Pipe
4. Tight the pipe to wall through the four screws
5. Screw the box into the Pipe, the Pipe can match with AK23 or AK 25 Box etc
6. Insert the box ring for waterproofing
7. Open the dome cover by loosening screws, The cover should be connected by a Safety Belt
8. Connect the power and BNC cable with the camera cables
9. Fixed the Vandal-Proof Dome base to the Junction box
10. Set the camera's viewing angle
11. Put the dome cover to the dome unit and tighten screws.



- **Wall Mount**

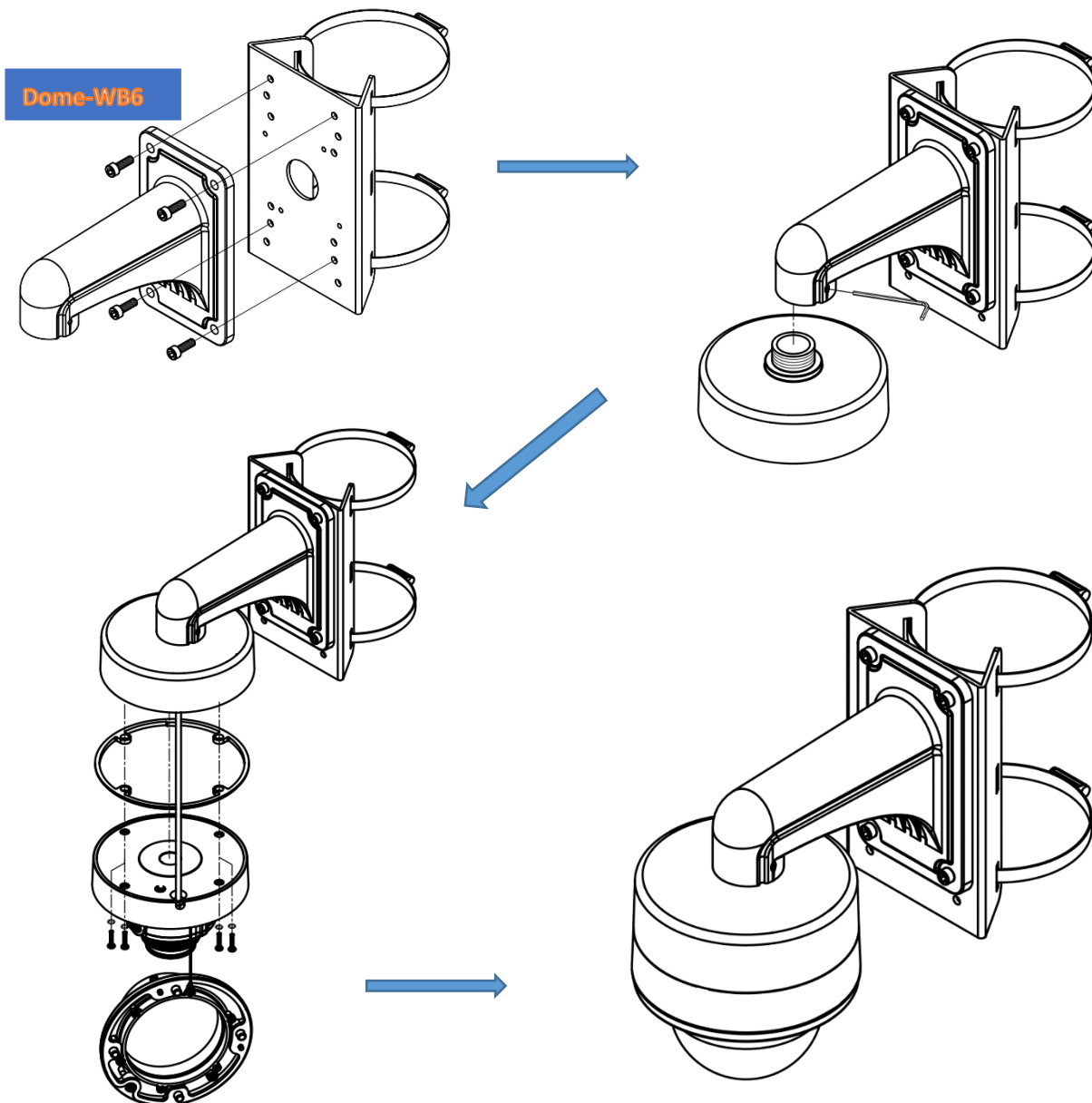
Allow the Junction Box match with the Bracket (DOME-WB6) for the **Wall Mount**. Detailed operation steps are similar with the Ceiling Mount. Please refer to.



● Pillar Mount

Allow the Junction Box match with the Bracket (DOME-WB6) +Pillar Bracket (PM-21) to mount the camera on one Pole.

1. Fix the Pillar Bracket on one Pole through two Hoops to control tightness
2. Fix the Bracket (Dome-WB6) to the Pillar bracket
3. Route the power and BNC cable through the bracket
4. Screw the Junction Box to the Bracket shown as below
5. Insert the box ring to the mounting plate for waterproofing
6. Open the dome cover by loosening screws
7. Connect the power and BNC cable with the camera cables
8. Assemble the vandal proof dome base to the mounting plate using the assembly screws
9. Set the camera's viewing angle
10. Put the dome cover to the dome unit and tighten screws.



- **Corner Mount**

Allow the Junction Box match with the Bracket (DOME-WB6) + Corner Bracket (CM22) for the **Corner Mount**. Detailed operation steps are similar with the Pillar Mount. Please refer to.

