

## Dome-WB6 Quick Installation Guide (EN)

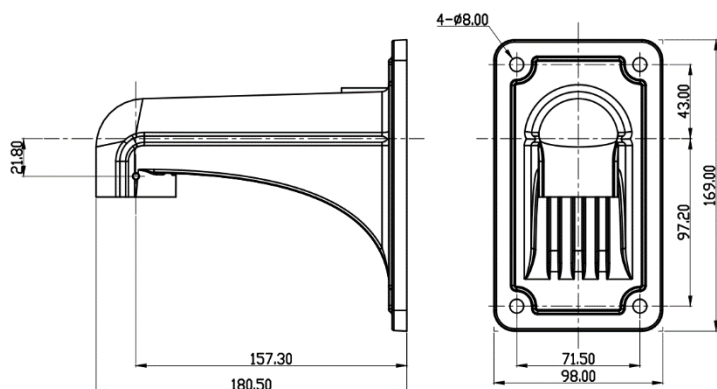
### PRIOR to USE

Install the mount onto a strong structure such as concrete wall

Use the supplied accessories when installing the mount bracket depends on mounting position

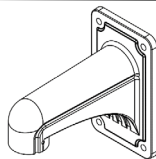
### DIMENSION (Unit: mm)

### SPECIFICATION

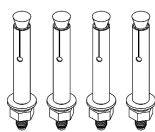


**Construction:** Aluminum Cast  
**Environment:** Wall/Pillar/Corner Mount  
**Dimension (mm):** 169.0x98.0x180.5mm  
**Weight:** 805g (1.77lb)

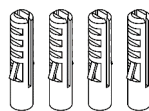
### PARTS SUPPLIED



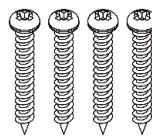
Bracket



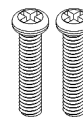
4xExpansion Bolt Sets



4x Expansion Bolt



4x Screws PA5\*35



2xScrews



QIG

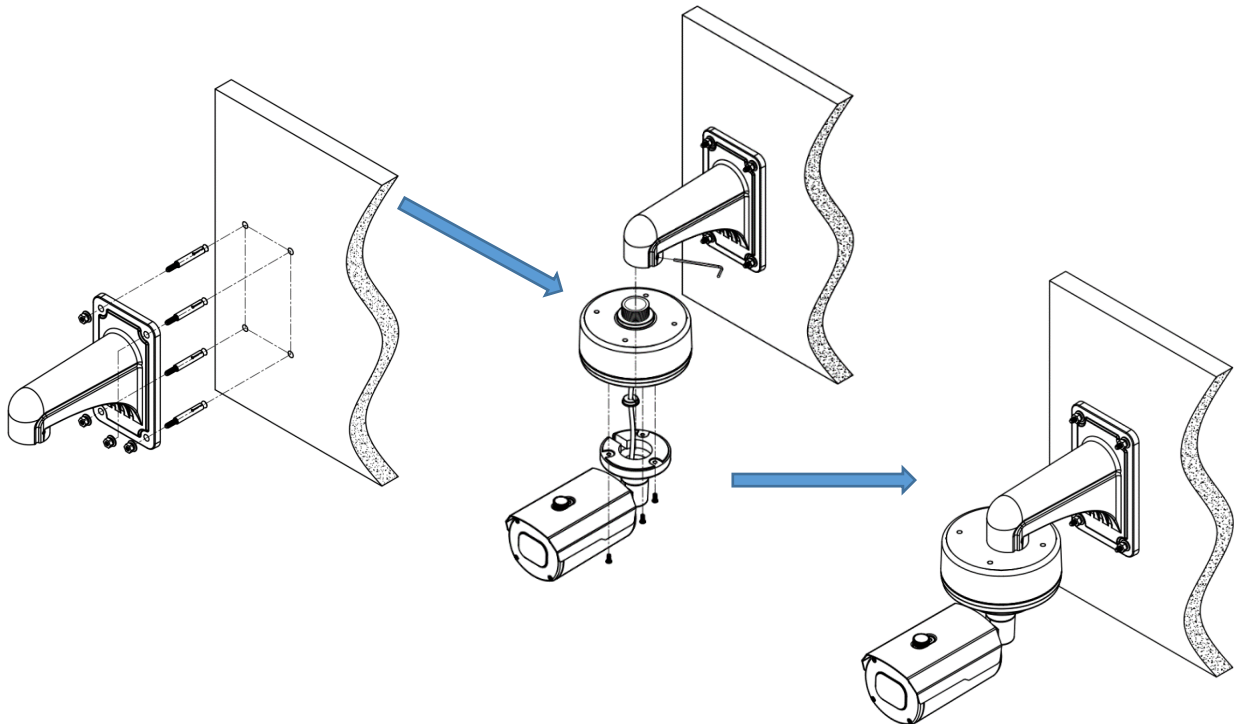
### INSTALLATION

#### ● Wall Mount

Allow you match with the Junction Box with thread structure

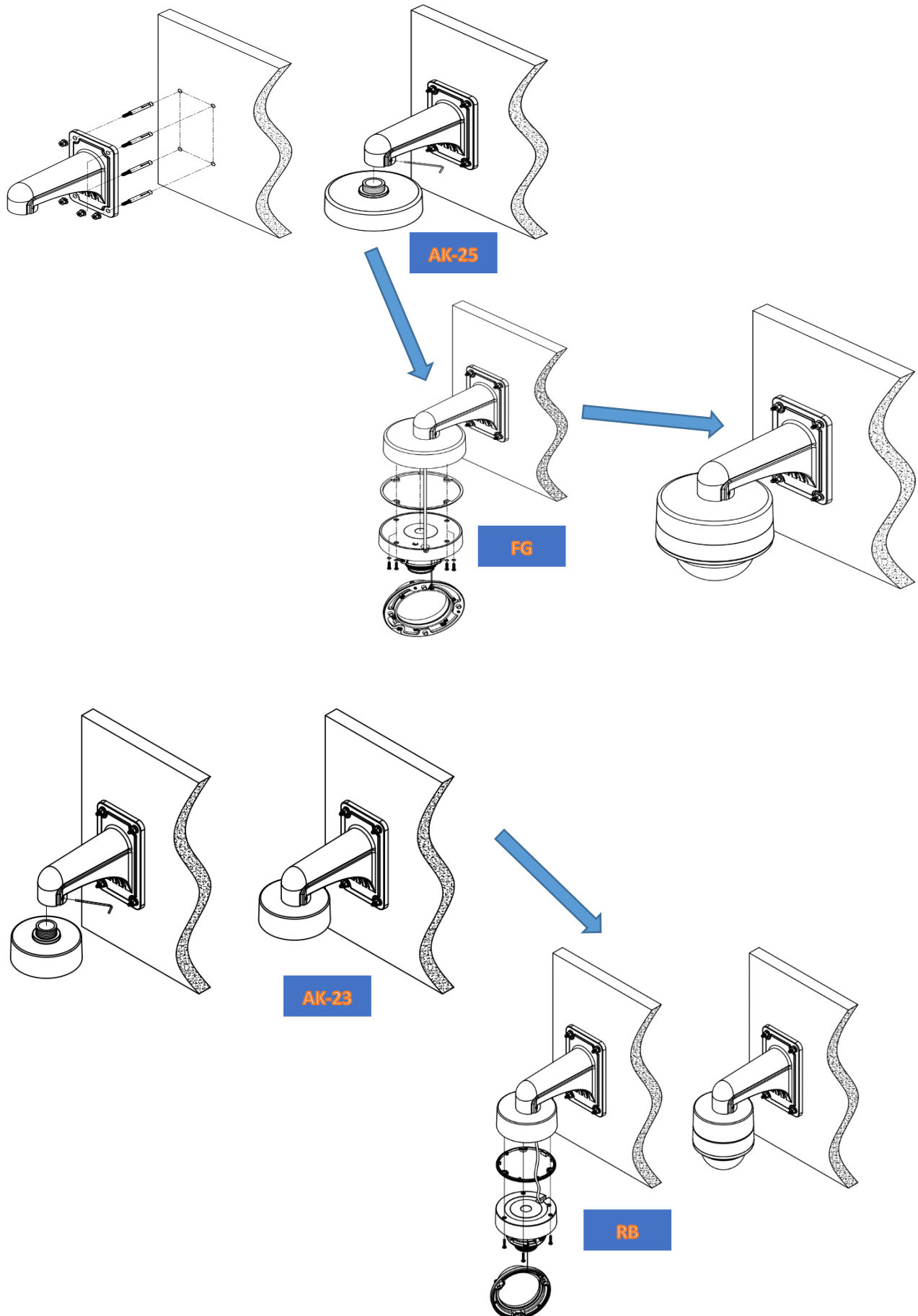
1. Locate the mounting template at the installation position and drill the wall.
2. Remove the release paper of bracket pad and attach to rear plate of the bracket
3. Route the power and BNC cable through the bracket
4. Tight the bracket to wall through the four screws
5. Screw the Junction Box to the bracket
6. According to the different box, we can match with bullet or dome. Details please refer to the below Schemes.
7. Connect the power and BNC cable with the camera cables
8. Set the camera's viewing angle
9. Put the dome cover to the dome unit and tighten screws.

1. The Bracket can match the Junction Box (RS-CXH-J) with thread Structure, which can install with the Bullet camera (ND/NI),



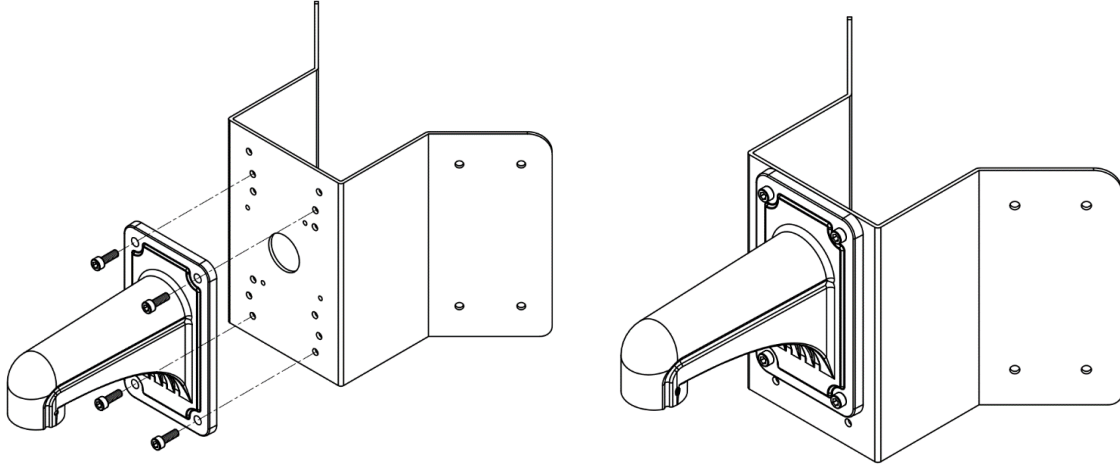
## Dome-WB6 Quick Installation Guide (EN)

2. The Bracket can match the Junction Box (AK-23 & AK-25 etc) with thread Structure, which can install with the Dome camera (RB/FG),



● **Corner Mount**

The Bracket can match one corner bracket for the Corner Mount, based on the above-mentioned dome/bullet cameras (ND/NI/FG/RB)



● **Pillar Mount**

Bracket can match one Pillar bracket for the Pole Mount, based on the above-mentioned dome/bullet cameras (ND/NI/FG/RB).

