



EN

DE

Quick Installation Guide

**1/2.8" Network Module Camera,
Day&Night, WDR, H.265, PoE,
12VDC**

ISM-72F0021W0A

ISM-72M2713W0A

ISM-78F0021W0A

Table of content

Safety Precaution	5
F2.1mm Fixed lens type	5
F2.7~13.5mm Motorized vari-focal lens type	5
Parts supplied	6
Quick Network Setup	7
Web viewer description	8
Player control & Display	8
PTZ Control.....	9
Setup Menu Table	10
Quick Setup	11
Information	11
Users	11
Add	12
Edit.....	12
Delete.....	12
Date & Time	13
Current Time	13
New Time.....	13
Time Zone	13
Day & Time Display	13
Network	14
IPv4 Address	14
IPv6 Address	15
DNS	15
Further information	16

Safety instructions

EN

General safety instructions

- Before switching on and operating the system, first read this safety advice and the operating instructions.
- Keep the operating instructions in a safe place for later use.
- Installation, commissioning and maintenance of the system may only be carried out by authorised individuals and in accordance with the installation instructions - ensuring that all applicable standards and guidelines are followed.
- Protect the devices from water penetration and humidity, since these can cause lasting damage.
- Should moisture nevertheless enter the system, under no circumstance switch on the devices under these conditions, instead send them for examination to an authorised specialist workshop.
- The system must never be used outside of the technical specifications, since this can destroy it.
- The device must be protected from excesses of heat, dust, humidity and vibration.
- When separating the system from the voltage supply, only ever use the plug to pull out the cable. Never pull directly on the cable itself.
- Lay the connecting cables carefully and check that they are not mechanically stressed, kinked or damaged and that no humidity can penetrate into them.
- In the event of a malfunction, please inform your supplier.
- Maintenance and repairs may only be carried out by authorised specialist personnel.
- The system must be isolated from the power supply before opening the housing.
- The device may only be opened by qualified service personnel. Unauthorised access invalidates any warranty claim.
- Connection cables should always be exchanged through Videor E. Hartig GmbH.
- Use only original spare parts and accessories from Videor E. Hartig GmbH.
- The housing should only be cleaned using a mild domestic cleaning agent. Never use solvents or petrol as these can permanently damage the surface.
- During installation, it is essential to ensure that the seals provided are correctly installed and that they are not displaced during installation. Damaged seals must not be installed and will invalidate any warranty.
- The installer is responsible for the maintenance of the enclosure as per the technical data, e.g. by sealing the cable outlets with silicone.
- Wire end ferrules should be used when shortening the flexible connection cables.
- The devices may only be operated in the temperature range indicated in the data sheet and within the defined air humidity range.

Product - Specific Safety Instructions

- The camera may never be pointed directly at the Sun with the aperture open (this will destroy the sensor).
- It is unavoidable that during manufacture and to a certain extent during later use, humidity will be present in the ambient air within the device's housing. In the event of large temperature fluctuations, this humidity may condense inside the housing.
- To avoid this condensation inside the very tightly sealed housing, the manufacturer has inserted silica gel sachets in the housing of the various camera types.
- It is however a physical given, that these silica gel bags will reach saturation after a certain amount of time. They should therefore be replaced with new silica gel sachets.
- During installation, it is essential to ensure that the seals provided are correctly installed and that they are not displaced during installation. Damaged seals must not be installed and will invalidate any warranty.
- A multipolar, easily accessible isolation device should be installed in the proximity of the IR Spotlight, in order to disconnect the device from the power supply for service work.
- The earth connection must be made according to the low impedance requirement of DIN VDE 0100.
- Subsequent painting of the equipment surface can impair the function.
- Any warranty claim is invalidated by subsequent painting.
- A safety margin of > 1m from the spotlight must be maintained when viewing directly into the IR Spotlight in a darkened environment.
- Do not look directly at invisible LED radiation using optical instruments (e.g. a reading glass, magnifying glass or microscope), since this can endanger the eyes, LED Class 1M.
- Operation of the IR spotlight with a defective cover or during repair is prohibited.

Class A device note

This is a Class A device. This device can cause malfunctions in the living area; in such an event, the operator may need to take appropriate measures to compensate for these.

WEEE (Waste Electrical & Electronic Equipment)

Correct Disposal of This Product (Applicable in the European Union and other European countries with separate collection systems).



This marking shown on the product or its literature, indicates that it should not be disposed with other household wastes at the end of its working life. To prevent possible harm to the environment or human health from uncontrolled waste disposal, please separate this from other types of wastes and recycle it responsibly to promote the sustainable reuse of material resources. Household users should contact either the retailer where they purchased this product, or their local government office, for details of where and how they can take this item for environmentally safe recycling. Business users should contact their supplier and check the terms and conditions of the purchase contract. This product should not be mixed with other commercial wastes for disposal.

Graphical symbols

Please pay attention to the safety instructions, and carefully read through this instruction guide before initial operation.



Important points of warning are marked with a caution symbol.



Important points of advice are marked with a notice symbol.

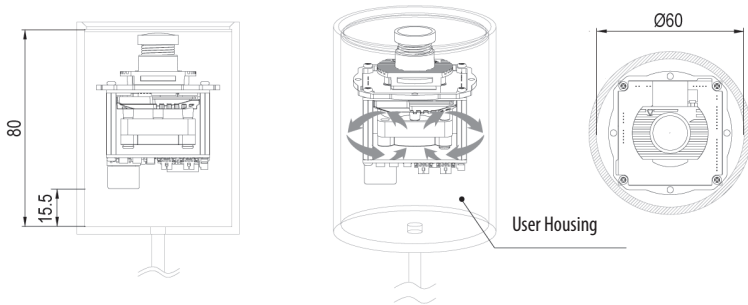
Safety Precaution



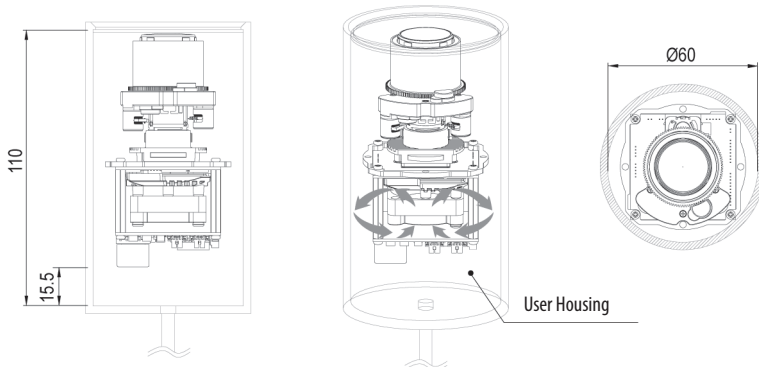
CAUTION: Special instructions for the user housings when mounting the IP encoder modules into them.

EN

F2.1mm Fixed lens type



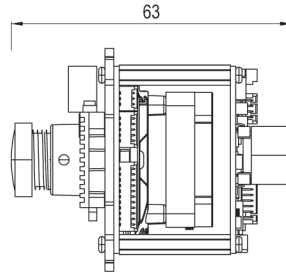
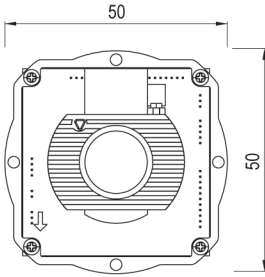
F2.7~13.5mm Motorized vari-focal lens type



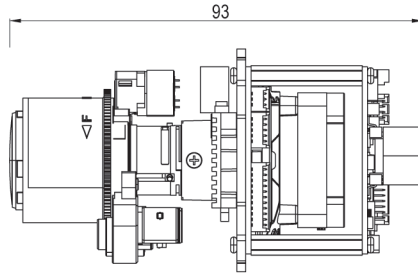
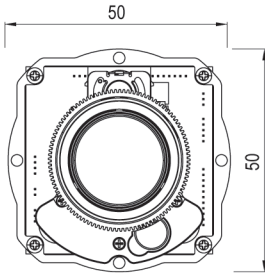
1. The inner space of the housing where the IP encoder module is mounted must be assured at least 60mm(Ø)x80mm(L) and 60mm(Ø)x110mm(L) respectively.
2. The cooling air flow from the cooling fan must not be obstructed. Otherwise, the IP encoder module may overheat and cause damage or malfunction.
3. For the user housing, it is strongly recommended to use a metal housing such as aluminum so that the internal heat is well dissipated to the outside. The use of housings made of heat conservative materials such as plastic is strongly prohibited.
4. It is recommended to use the finished camera at an ambient temperature of 40°C or less outside the housing, and it should not exceed 50°C.

Parts supplied

- Network Camera
- Operating Instruction



f2.1mm Fixed lens type



f2.7~13.5mm Motorized vari-focal lens type

Quick Network Setup

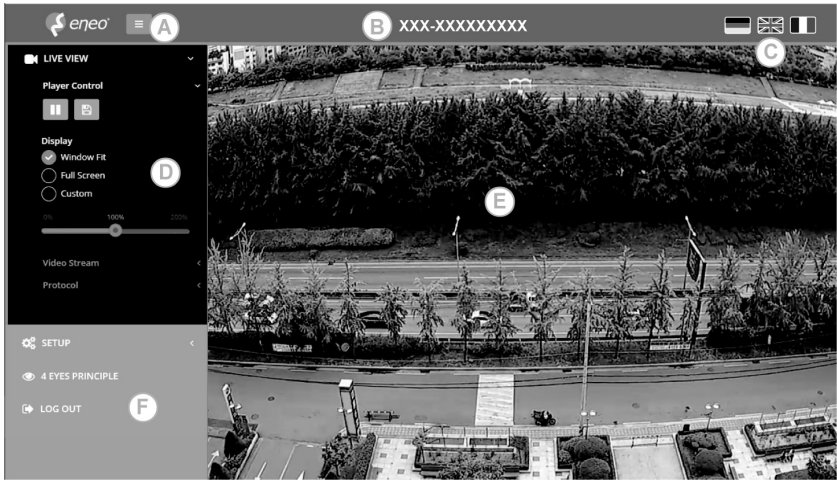
1. After the camera is connected to the network, start '*eneo Site Manager*' tool (downloadable from www.eneo-security.com).
2. You will get a list of cameras connected to the local network. Highlight your camera in the list and open a context menu with a click of the right mouse button.
3. Select the „Set IP Address [dhcp / static]“ option to open a window for setting the cameras IP properties. When you are done click the „OK“ button to update the camera settings.
4. By default the camera is set to DHCP. If there is no DHCP server present in the network the camera will fall back to a default IP address after a while. In this scenario please only add one camera at a time to the network to avoid conflicts due to identical IP addresses.
The network camera's default IP address is: **192.168.1.10**.
5. Right clicking the device name in the eneo Site Manager will bring up the context menu. Use the '*Open Device Web Site*' option to access the camera.
6. The web viewer login page will open up in your default web browser.
In case of Microsoft Internet Explorer install Active-X named VIDEOR E. Hartig GmbH according to the instruction at the bottom of the browser.
7. Use the default user name and password to log in.

Default user name: admin

Default password: admin

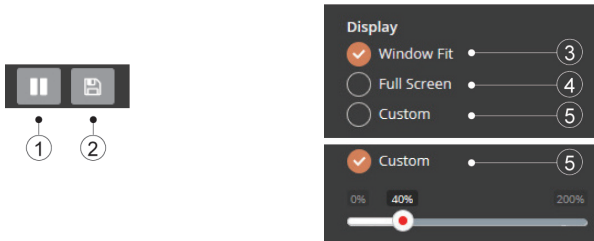


Web viewer description



- (A) Menu button : Click the button to show or hide the setup menu bar.
- (B) Model name : Show a camera model name connected.
- (C) Select Language : Set the web viewer language English, Deutsch or French.
- (D) Main setup menu bar : Set the camera or network functions.
- (E) Camera monitoring window: Display the currently connected camera view or function.
- (F) Log out and exit the web viewer

Player control & Display

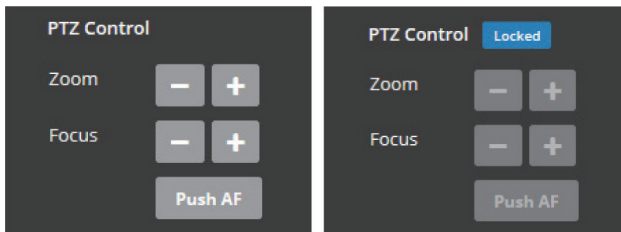


- (1) Pause: Pauses the live view.
- (2) Snapshot: Captures the image in .jpg format with the current stream resolution.
- (3) Window Fit: Resizes the live view display to fit along with the display window size.

- (4) Full Screen: Resizes the live view display to fit to the monitor resolution. ESC key returns to the previous view.
- (5) Custom: Selects the live view display scale, 0%~200%, by the control bar. 100% is the original size.

PTZ Control

Used to adjust zoom/focus manually or one-push focus automatically.



- Zoom: Controls the lens optical zoom in/out for WIDE & TELE.
- Focus: Adjusts the lens focus manually for NEAR & FAR.
- Push AF: Gets the lens to focus at the push of a button.

i ZOOM, FOCUS & PUSH AF are disabled when PTZ control is locked. PTZ control can be unlocked at Setup>Video&Image>Image>AF>Lens Locking to OFF or TIMER.



CAUTION:

- Set LENS LOCKING at Setup>Video&Image>Image>AF>Lens Locking to ON or TIMER after completing lens setting to prevent unwanted lens operation.
- Do not adjust zoom/focus in low light conditions or night mode. It might cause erroneous focusing.
- For Motorized V/F versions, Zoom/Focus operation is strongly recommended for installation purpose only. Frequent zoom/focus adjustments can reduce the life span of the lens.

Setup Menu Table

Category	Menu	Configuration			
LIVE VIEW	Player Control	Pause, Snapshot			
		Display (Window Fit, Full Screen, Custom)			
	Video Stream	Stream1, Stream2, Stream3			
	Protocol	HTTPS, HTTP, TCP, UDP			
	PTZ Control	Zoom, Focus, Push AF			
SETUP	Information	General, System Information, Open source Information			
	Video & Image	Source	Stream1/2/3		
		Image	Smart Video Stream	ROI(Region Of Interest), Dynamic GOP	
			Basic	Brightness, Contrast, Saturation, Hue, Sharpness, Enable flip image, Enable mirror image	
			OSD	Enable text OSD, Enable date&time OSD, Enable zoom&focus OSD, Mode	
			AE	Mode, Slow shutter, Luminance compensation, Auto Iris, Auto Flickerless, Shutter, Max. Shutter, Gain, Max. Gain	
			AWB	Mode, R Gain, G Gain, B Gain	
			AF (***)	Mode, Speed, Lens Locking, Locking Timer, Lens Calibration, Enable Day& Night sync focus, Lens initialize on boot	
			Day&Night	Mode, Switching time, Threshold (D->N), Threshold (N->D), Threshold(Current)	
			WDR	WDR(Mode, Level), DWDR(Mode, Level)	
			BLC	BLC(Mode, Level), HLC(Mode, Level)	
			DNR	3DNR(Mode, Level)	
		VerticalView	Mode, Rotation		
		Privacy Mask	Color, Name		
Digital Zoom	Level				
SETUP	Event	Triggers	Motion, Tamper, System, Manual, Network, Timer, Day/Night		
		Actions	E-Mail, FTP, Video Boost, Notification Server		
		Rules	Event Processing, ONVIF Mapping		
	System	Security	User, HTTPS, IP Filter, ONVIF, Video Stream, Export/Import		
		Date & Time	Current Time, New Time, Time Zone, Date & Time Display		
		Network	TCP/IP, DDNS, RTP, UPnP, Zeroconf, Bonjour		
		Language	English, German, French, Korean		
		Maintenance	Maintain (Restart, Reset, Default), Upgrade, Setup Export, Setup Import		
Log & Report	Logs (Database Capacity, Search Condition, Log List), Log Sever, Report				
4 EYES PRINCIPLE	Approval #1/2				
LOG OUT					

(***) Available only with the built-in Motor driven V/F lens version.

Quick Setup

Information

Shows the overall information about the system such as Model name, MAC address, IP address, Zeroconf, IP address, Hardware version, Firmware version, Server time, Running time, CPU usage, Inbound/Outbound Bandwidth and Open source list.

EN

The screenshot shows the 'Information' page. The left sidebar has 'SETUP' expanded with 'Information' selected. The main content area is titled 'Information' and shows 'SETUP / Information'. Below this is a 'General' section with a table of system details:

Field	Value
Model	XXX-XXXXXXXXXX
MAC Address	78:C2:C0:21:9E:85
IP Address	192.168.0.19
Zeroconf IP Address	169.254.213.228
Hardware Version	XX
Firmware Version	X.X.X.XXX

Below the 'General' section is a 'System Information' section.

Users

Manages the user accounts by names, groups and authorities.

- > USERS : Can be added, edited or deleted.

The screenshot shows the 'Security' page. The left sidebar has 'SETUP' expanded with 'System' selected and 'Security' highlighted. The main content area is titled 'Security' and shows 'SETUP / System / Security'. Below this is a 'Users' section with a table of user accounts:

#	Name	Group	Authority
1	admin	administrator	live, setup, system

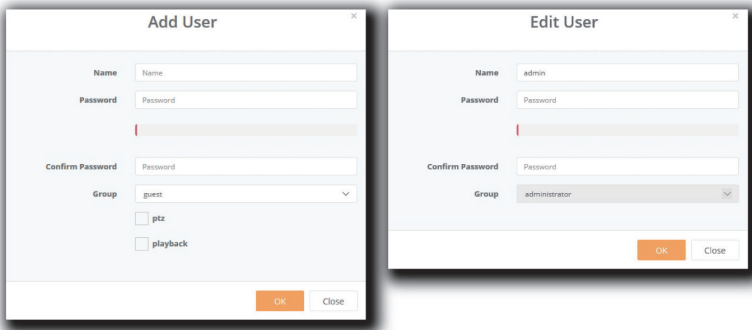
Below the table are 'Add', 'Edit', and 'Delete' buttons. There is also a checkbox for 'Enable anonymous viewer login' and a 'Save' button in the top right corner.

Click the Add, Edit, or Delete button for managing user account.

Add

To add a new user:

1. Click the Add tab, and type a new user name. (1 to 14 alphanumeric characters). User names are not case sensitive.
2. Type a password and retype confirm password. (1 to 8 alphanumeric characters). Passwords are case sensitive.
3. Select one of the groups you wish to assign to the user.
4. Click the OK button to save the settings and add a new user.



The image shows two side-by-side screenshots of user management forms. The left form is titled 'Add User' and contains fields for Name, Password, Confirm Password, and Group. The Group dropdown is set to 'guest', and there are checkboxes for 'ptz' and 'playback'. The right form is titled 'Edit User' and contains fields for Name (set to 'admin'), Password, Confirm Password, and Group (set to 'administrator'). Both forms have 'OK' and 'Close' buttons at the bottom right.

Edit

To edit a user:

1. Select one of the User Names in the User List you want to modify.
2. Click the Edit tab, then new pop-up window appears.
3. Type a password (1 to 8 alphanumeric characters) and retype confirm password.
The user name can't be modified.
4. Select one of the groups you wish to assign to the user.
5. Click the OK button to save the settings and modify a user.

Delete

To delete a user:

1. Select one of the User Names in the User List you want to remove.
2. Click the Delete tab. A dialog box appears with confirmation message.
3. Click the OK button. The user profile is removed from the User List profile.

Date & Time

EN

Current Time

Shows the current date and time. Clicking SAVE tap updates and saves the date and time with the selected time in NEW TIME.

New Time

Select one of the following server time.

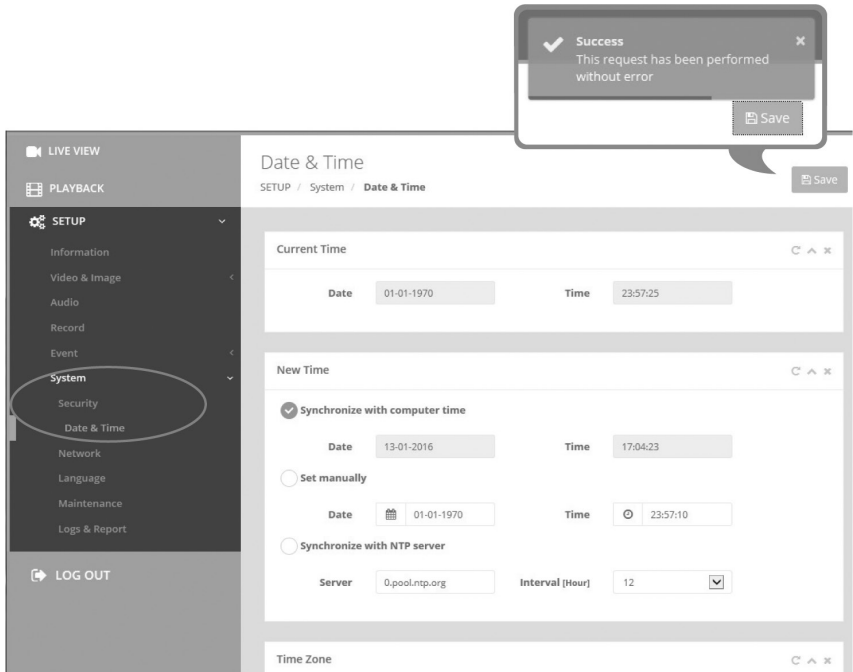
- Synchronize with computer time: Obtains the time from the computer.
- Set manually: Sets the date and time manually.
- Synchronize with NTP Server: Obtains the time from the assigned NTP server at every hour in INTERVAL. The NTP server's IP address or host name has to be specified in the time server.

Time Zone

Select the time zone to be referenced to the NTP server where the camera is installed
Mark AUTOMATICALLY ADJUST FOR DAYLIGHT SAVING CHANGES check box to update the time automatically with daylight savings

Day & Time Display

Select the date & time formats to be displayed.



Network

The DHCP (Dynamic Host Configuration Protocol) server has a feature that automatically assigns an IP address to the device if there is a device on the network.

IPv4 Address

Obtain IP address via DHCP :

Gets the IP address assigned by the DHCP (Dynamic Host Configuration Protocol) server.

Status:

'Allocated' shows that the IP address is obtained from the DHCP.

IP address, Subnet mask, Gateway:

Displays the current IP address which is obtained from the DHCP

Use the following IP address:

Select the choice box if you want to assign the IP address manually.

IPv6 Address

Mark ENABLE check box to use IPv6 address and click SAVE button, then new IPv6 address will be obtained.

DNS

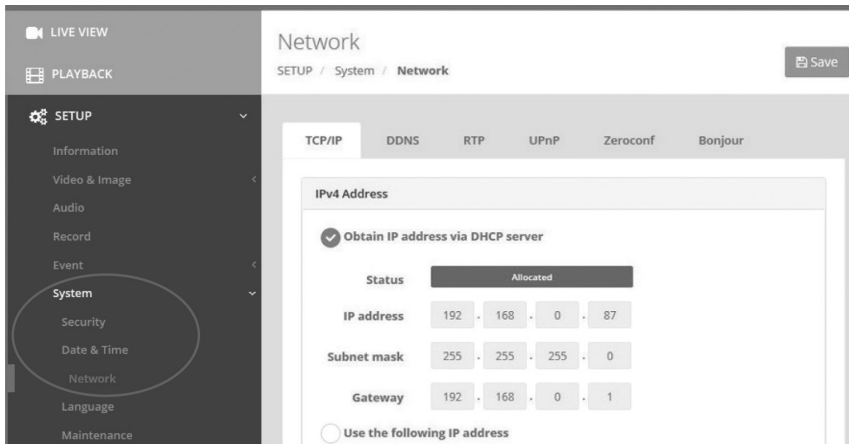
Obtain DNS address via DHCP :

Obtains the DNS address automatically assigned by DHCP server.

Use the following DNS address :

Requires manual input as per below.

- DOMAIN NAME : Enter the domain for the host name
- PRIMARY DNS SERVER : Enter the IP address of the primary DNS server.
- SECONDARY DNS SERVER : Enter the IP address of the secondary DNS server.



The screenshot shows the 'Network' configuration page in a web interface. The left sidebar has a 'System' menu item circled. The main content area is titled 'Network' and includes a breadcrumb 'SETUP / System / Network' and a 'Save' button. Under the 'TCP/IP' tab, the 'IPv4 Address' section is active. It features a radio button selected for 'Obtain IP address via DHCP server'. Below this, the 'Status' is 'Allocated'. The 'IP address' is 192.168.0.87, the 'Subnet mask' is 255.255.255.0, and the 'Gateway' is 192.168.0.1. There is also an unselected radio button for 'Use the following IP address'.

Further information

Make sure to always upgrade to the latest firmware version available from the eneo website at www.eneo-security.com to receive the latest functionality for your product.

The manual, and other software tools are available on the eneo website at www.eneo-security.com.

Information on compatible video management software solutions can be found in the category **Software** at www.eneo-security.com.

OPEN SOURCE SOFTWARE LICENSE INFORMATION

The software components provided with eneo products may contain copyrighted software that is licensed under various open source software licenses. For detailed information about the contained open source software packages, the used package versions, license information and complete license terms, please refer to...

- the open source information included in your products user interface,
- the product detail pages on the eneo website (www.eneo-security.com),
- the eneo download portal (<https://datacloud.videor.com/s/eneodownloadportal>). In case that previous link is broken, the latest link to the eneo download portal can be found on the respective eneo product page at www.eneo-security.com.
- the download package of your firmware. The complete open source software license information of your product is included in the corresponding software download package that can be found in our download portal.

If you are missing any information, please contact opensource@eneo-security.com, we will of course be happy to provide you with the missing information and will also make the missing information available to the public.

If you want to get access to the open source components (source codes) used in our products, please contact opensource@eneo-security.com.

Inhaltsverzeichnis

Sicherheitsvorkehrungen	20
Feste Brennweite 2.1 mm	20
Motorisiertes Objektiv mit variabler Brennweite 2.7 ~ 13.5 mm	20
Lieferumfang	21
Schnelle Netzwerkkonfiguration	22
Beschreibung des Web-Viewers	23
Player-Steuerung & Anzeige	23
PTZ-Steuerung	24
Übersicht des Konfigurationsmenüs	25
Schnellkonfiguration	26
Information	26
Benutzer	26
Hinzufügen	27
Bearbeiten	27
Löschen	28
Datum/Uhrzeit	28
Aktuelle Uhrzeit	28
Neue Uhrzeit	28
Zeitzone	28
Datum- & Uhrzeitanzeige	28
Netzwerk	29
IPv4-Adresse	29
IPv6-Adresse	30
DNS	30
Weitere Informationen	31

Sicherheitsanweisungen

Sicherheitshinweise allgemein

- Bevor Sie das System anschließen und in Betrieb nehmen, lesen Sie zuerst diese Sicherheitshinweise und die Betriebsanleitung.
- Bewahren Sie die Betriebsanleitung sorgfältig zur späteren Verwendung auf.
- Montage, Inbetriebnahme und Wartung des Systems darf nur durch dafür autorisierte Personen vorgenommen und entsprechend den Installationsanweisungen - unter Beachtung aller mitgeltenden Normen und Richtlinien - durchgeführt werden.
- Die Geräte gegen Eindringen von Wasser und Feuchtigkeit schützen, dies kann zu dauerhaften Schäden führen.
- Sollte dennoch Feuchtigkeit eingedrungen sein, die Geräte nie unter diesen Bedingungen einschalten, sondern zur Überprüfung an eine autorisierte Fachwerkstatt geben.
- Das System darf nie außerhalb der technischen Daten benutzt werden, da es zerstört werden kann.
- Das Gerät ist vor großer Hitze, Staub, Feuchtigkeit und Vibrationseinwirkung zu schützen.
- Um das System von der Versorgungsspannung zu trennen, ziehen Sie das Kabel nur am Stecker heraus. Ziehen Sie nie direkt am Kabel.
- Verlegen Sie die Verbindungskabel sorgfältig und stellen Sie sicher, dass die Kabel nicht mechanisch beansprucht, geknickt oder beschädigt werden und keine Feuchtigkeit eindringen kann.
- Falls Funktionsstörungen auftreten, benachrichtigen Sie bitte Ihren Lieferanten.
- Wartung und Reparaturen dürfen nur von autorisiertem Fachpersonal ausgeführt werden.
- Vor Öffnen des Gehäuses ist eine Netztrennung erforderlich.
- Das Gerät darf nur von qualifiziertem Servicepersonal geöffnet werden. Fremdeingriffe beenden jeden Garantieanspruch.
- Anschlusskabel sollten immer nur durch VIDEOR E. Hartig GmbH ausgetauscht werden.
- Verwenden Sie nur Originalersatzteile und Original-Zubehör von VIDEOR E. Hartig GmbH.
- Zur Reinigung der Gehäuse immer nur ein mildes Haushaltsmittel verwenden. Niemals Verdüner oder Benzin benutzen, dies kann die Oberfläche dauerhaft schädigen.
- Bei der Montage muss grundsätzlich darauf geachtet werden, dass vorhandene Dichtungen ordnungsgemäß eingesetzt und bei der Montage nicht verschoben werden. Beschädigte Dichtungen dürfen nicht mehr verbaut werden und führen zum Erlöschen des Garantieanspruchs.
- Der Errichter ist für die Aufrechterhaltung der Schutzart laut technischer Daten verantwortlich, z. B. durch Abdichtung des Kabelaustritts mit Silikon.
- Bei Kürzung von flexiblen Anschlussleitung sind Aderendhülsen zu verwenden.
- Die Geräte dürfen nur in den im Datenblatt angegebenen Temperatur- und Luftfeuchtigkeitsbereichen betrieben werden.

Produktspezifische Sicherheitshinweise:

- Die Kamera darf nie mit geöffneter Blende direkt gegen die Sonne gerichtet werden (dies zerstört den Sensor).
- Es lässt sich nicht vermeiden, dass im Rahmen der Fertigung und auch beim späteren Gebrauch in gewissem Umfang Feuchtigkeit der Umgebungsluft im Gehäuse vorhanden ist. Bei starken Temperaturschwankungen kann sich die Feuchtigkeit im Gehäuse niederschlagen.
- Um dies in dem sehr dicht abschließenden Gehäuse zu vermeiden, hat der Hersteller bei verschiedenen Kameratypen Silicagel-Beutel in das Kameragehäuse eingelegt.
- Es ist eine physikalische Gegebenheit, dass diese Silicagel-Beutel nach einer gewissen Zeit eine Sättigung erreichen. Sie sollten deshalb gegen neue Silicagel-Beutel ausgetauscht werden.
- Bei der Montage muss grundsätzlich darauf geachtet werden, dass vorhandene Dichtungen ordnungsgemäß eingesetzt und bei der Montage nicht verschoben werden. Beschädigte Dichtungen dürfen nicht mehr verbaut werden und führen zum Erlöschen des Garantieanspruchs.
- In der Nähe des IR-Scheinwerfers ist eine mehrpolige, leicht zugängliche Trennvorrichtung zu installieren, um das Gerät bei Servicearbeiten frei schalten zu können.
- Die Schutzleiterverbindung muss nach DIN VDE 0100 entsprechend niederohmig ausgeführt werden.
- Nachträgliches Lackieren der Geräteoberfläche kann die Funktion beeinträchtigen.
- Durch das Nachlackieren erlischt jeglicher Gewährleistungsanspruch.

- Bei abgedunkelter Umgebung und direktem Blick in den IR-Scheinwerfer ist ein Sicherheitsabstand von > 1 m zum Scheinwerfer einzuhalten.
- Unsichtbare LED Strahlung nicht direkt mit optischen Instrumenten (z.B. Lupe, Vergrößerungsglas oder Mikroskop) betrachten, da sie eine Augengefährdung verursachen kann, LED Klasse 1M.
- Der Betrieb des IR-Scheinwerfers bei defekter Abdeckung oder bei Reparatur ist untersagt.

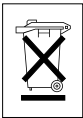
Hinweis für Geräte der Klasse A

Dies ist ein Gerät der Klasse A. Dieses Gerät kann im Wohnbereich Funktionsstörungen verursachen; in diesem Fall kann vom Betreiber verlangt werden, angemessene Maßnahmen durchzuführen und dafür aufzukommen.

DE

WEEE-Richtlinie (Elektro- und Elektronik-Altgeräte)

Ordnungsgemäße Entsorgung dieses Produkts (Gilt für die Europäische Union und die anderen Europäischen Länder mit getrennten Sammelsystemen)



Dieses am Produkt oder in seiner Dokumentation gezeigte Symbol bedeutet, dass es am Ende seiner Lebensdauer nicht mit dem Hausmüll entsorgt werden darf. Um eventuelle Umwelt- oder Gesundheitsschäden durch unkontrollierte Abfallbeseitigung zu verhindern, dieses Gerät von anderen Abfallarten trennen und ordnungsgemäß recyceln, um die nachhaltige Wiederverwendung materieller Ressourcen zu fördern. Haushaltsanwender sollten entweder den Händler, bei dem sie dieses Produkt gekauft haben, oder ihr örtliches Regierungsbüro kontaktieren, um Einzelheiten darüber zu erfahren, wo und wie sie dieses Gerät umweltgerecht recyceln können.

Geschäftliche Anwender sollten sich an ihren Lieferanten wenden und die Bedingungen des Kaufvertrags überprüfen. Dieses Produkt darf zur Entsorgung nicht mit anderen Unternehmensabfällen vermischt werden.

Grafische Symbole

Bitte beachten Sie die Sicherheitshinweise und lesen Sie diese Anleitung vor Inbetriebnahme sorgfältig durch.



Wichtige Warnhinweise sind mit einem Achtung-Symbol gekennzeichnet.



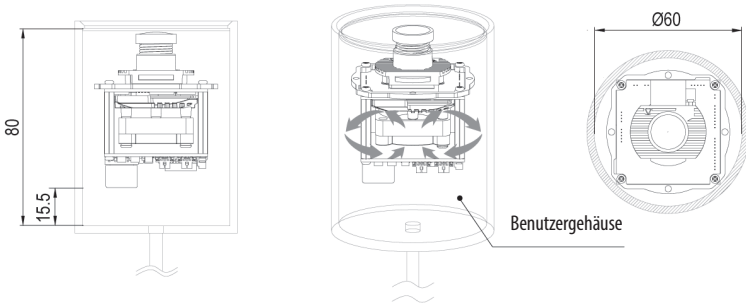
Wichtige Hinweise sind mit einem Hinweis-Symbol gekennzeichnet.

Sicherheitsvorkehrungen

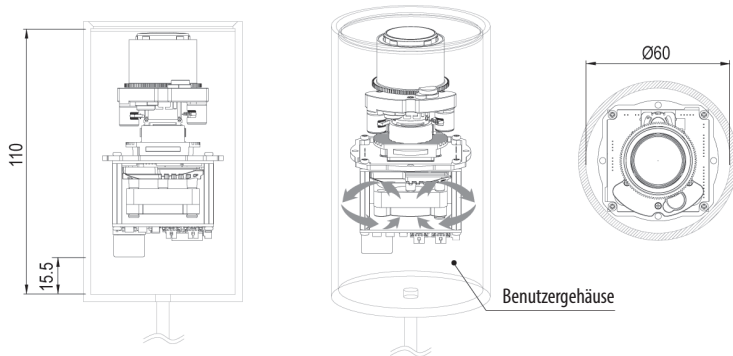


ACHTUNG! Besondere Hinweise für den Einbau der Kameramodule in Benutzergehäuse.

Feste Brennweite 2.1 mm



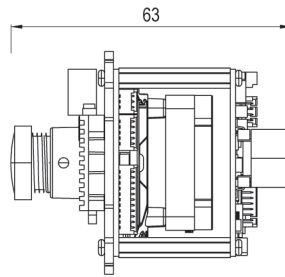
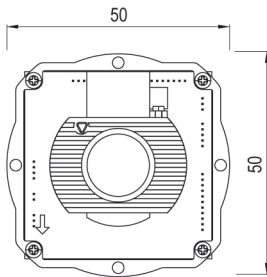
Motorisiertes Objektiv mit variabler Brennweite 2.7 ~ 13.5 mm



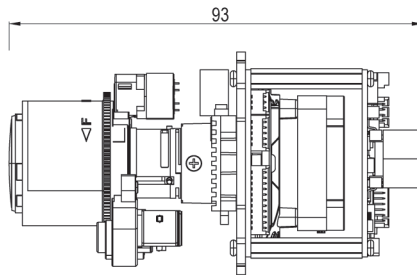
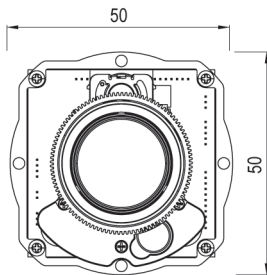
1. Der Umfang des Innenraums des Gehäuses, in dem das Kameramodul montiert wird, muss mindestens 60mm(Ø)x80mm(L) bzw. 60mm(Ø)x110mm(L) betragen.
2. Der Luftstrom des Kühlgebläses darf nicht behindert werden. Andernfalls kann das Kameramodul überhitzen und Schäden oder Fehlfunktionen verursachen.
3. Für das Benutzergehäuse wird dringend empfohlen, ein Metallgehäuse, z. B. aus Aluminium, zu verwenden, damit die interne Wärme gut nach außen abgeleitet wird. Die Verwendung von Gehäusen aus hitzebeständigen Materialien wie Kunststoff ist strengstens untersagt.
4. Es wird empfohlen, die fertig montierte Kamera bei einer Umgebungstemperatur von 40°C oder weniger außerhalb des Gehäuses zu verwenden. Die Umgebungstemperatur sollte 50°C nicht überschreiten.

Lieferumfang

- Netzwerkkamera
- Betriebsanleitung



Feste Brennweite 2,1 mm



Motorisiertes Objektiv mit variabler Brennweite 2,7 ~ 13,5 mm

Schnelle Netzwerkkonfiguration

1. Nachdem die Kamera mit dem Netzwerk verbunden wurde, starten Sie das **'eneo Site Manager'** Tool (steht zum Herunterladen auf www.eneo-security.com bereit).
2. Sie erhalten eine Liste der im lokalen Netzwerk verfügbaren Kameras. Markieren Sie Ihre Kamera in der Liste und öffnen Sie ein Kontextmenü durch Klicken der rechten Maustaste.
3. Wählen Sie die Option "Set IP Address [dhcp / static]" um ein Fenster für die Kamera IP-Einstellungen zu erhalten. Wenn Sie fertig sind, klicken Sie den "OK" Button um die Kameraeinstellungen zu aktualisieren.
4. Die Kamera ist standardmäßig auf DHCP eingestellt. Wenn kein DHCP-Server im Netzwerk vorhanden ist, wird die Kamera nach einer gewissen Zeit auf eine Standard-IP-Adresse zurückgesetzt. In diesem Fall fügen Sie mehrere Kameras bitte nur nacheinander zum Netzwerk hinzu, um Konflikte aufgrund der identischen IP-Adressen zu vermeiden.
Die Standard-IP-Adresse der IP-Kamera ist: **192.168.1.10**.
5. Klicken Sie mit der rechten Maustaste auf den Gerätenamen im eneo Site Manager, um das Kontextmenü anzuzeigen. Wählen Sie die Option **'Open Device Web Site'** (Geräte-Webseite öffnen), um auf die Kamera zuzugreifen.
6. Die Login-Seite des Web-Viewers wird in Ihrem Standard-Webbrowser geöffnet. Bei Microsoft Internet Explorer installieren Sie die Active-X-Komponente namens VIDEOR E. Hartig GmbH entsprechend der Anweisungen am unteren Rand des Browsers.
7. Verwenden Sie den Standard-Benutzernamen und das Standard-Passwort zum Einloggen.

Standard-Benutzername: admin

Standard-Passwort: admin



The screenshot shows the login interface of the eneo Site Manager. At the top left is the eneo logo, and at the top right is the text 'xxx-xxxxxxxxxx'. Below this is a login form with two input fields: the first is for the username, containing 'admin', and the second is for the password, containing six dots. Below the password field is a checkbox labeled 'Jump to setup' which is currently unchecked. At the bottom of the form is a black button with the text 'Login' in white.

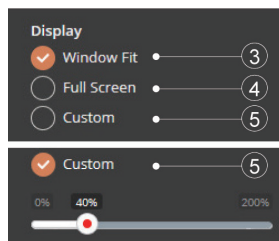
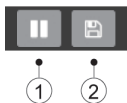
Beschreibung des Web-Viewers



DE

- (A) Menütaste: Klicken Sie auf diese Taste zum Anzeigen oder Verbergen des Konfigurationsmenüs.
- (B) Modellname: Zeigt den Modellnamen der verbundenen Kamera an.
- (C) Sprache auswählen: Wählen Sie Englisch, Deutsch oder Französisch als Web-Viewer-Sprache.
- (D) Hauptkonfigurationsmenü: Zum Einstellen der Kamera- oder Netzwerk-Funktionen.
- (E) Kameraüberwachungsfenster: Zeigt das Video oder die Funktion der aktuell verbundenen Kamera an.
- (F) Abmelden und den Web-Viewer verlassen

Player-Steuerung & Anzeige

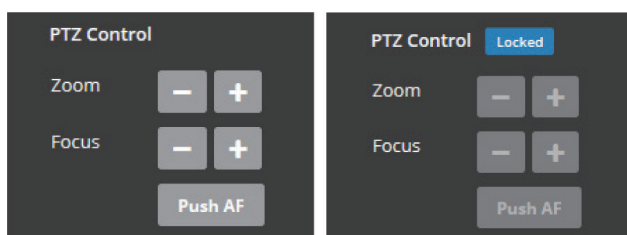


- (1) Pause: Pausiert das Live-Bild.
- (2) Schnappschuss: Erfasst das Bild im .jpg-Format in der aktuellen Auflösung des Streams.

- (3) An Fenstergröße anpassen: Die Live-Ansicht wird an die Fenstergröße angepasst.
- (4) Vollbild: Passt die Darstellung von Live-Ansicht-Anzeige der Monitor-Auflösung an. ESC-TASTE: Kehrt zum vorherigen Menü zurück.
- (5) Benutzerdefiniert: Die Vergrößerungsskala (0% ~ 200%) der Live-Ansicht in der Steuerungsleiste wird verwendet. 100% ist die Standardeinstellung.

PTZ-Steuerung

Zur manuellen Zoom-/Fokus-Einstellung oder zur automatischen Fokussierung mittels One-Push-Automatik.



- Zoom: Steuerung des optischen Zooms WIDE und TELE.
- Fokus: Manuelle Einstellung des Fokus für NAH und FERN.
- Push AF: Automatische Einstellung von Fokus auf Knopfdruck.

i ZOOM, FOKUS und PUSH AF sind deaktiviert, wenn die PTZ-Steuerung gesperrt ist. Die Freigabe der PTZ-Steuerung erfolgt über Setup (Konfiguration)>Video&Image (Video und Bild)>Image (Bild)>AF>Lens Locking (Objektivsperre) - OFF (AUS) oder TIMER.



VORSICHT:

- Wenn Sie die Konfiguration der Objektiv-Einstellungen abgeschlossen haben, stellen Sie Setup (Konfiguration)>Video&Image (Video und Bild)>Image (Bild)>AF>Lens Locking (Objektivsperre) auf ON (EIN) oder TIMER, um die unerwünschten Verstellungen des Objektivs zu vermeiden.
- Richten Sie Zoom und Fokus nicht bei schlechten Lichtverhältnissen oder in der Nacht ein. Dies kann zu fehlerhafter Fokussierung führen.
- Bei den V/F-Modellen darf der Zoom/Fokus-Betrieb nur zu Installationszwecken verwendet werden. Das häufige Verstellen der Zoom-/Fokus-Einstellungen kann die Betriebsdauer des Objektivs verkürzen.

Übersicht des Konfigurationsmenüs

DE

Kategorie	Menü	Konfiguration		
LIVE-ANSICHT	Player-Steuerung	Pause, Schnappschuss		
		Anzeige: (An Fenstergröße anpassen, Vollbild, Benutzerdefiniert)		
	Video-Stream	Stream1, Stream2, Stream3		
	Protokoll	HTTPS, HTTP, TCP, UDP		
	PTZ-Steuerung	Zoom, Focus, Push AF		
KONFIGURATION	Information	Allgemein, Systeminformationen, Open Source Informationen		
	Video und Bild	Quelle		
		Stream1/2/3		
		Smart Video Stream	ROI(Region Of Interest), Dynamic GOP	
		Bild	Allgemein	Helligkeit, Kontrast, Sättigung, Farbton, Schärfe, Bildumkehr aktivieren, Bild spiegeln aktivieren
			Bildschirmmenü	Text einblenden, Datum/Zeit einblenden, Zoom/Fokus einblenden, Modus
			AE	Modus, langsamer Verschluss, Luminanzkompensation, Auto-Blende, Auto-Flimmerfrei, Verschluss, max. Verschluss, Verstärkung, max. Verstärkung
			AWB	Modus, R Gain, G Gain, B Gain
			AF (***)	Modus, Geschwindigkeit, Objektiv-Sperre, Objektiv-Kalibrierung, Tag/Nacht Snc Fokus aktivieren, Objektiv Initialisierung beim Starten
			Tag & Nacht	Modus, Umschaltzeit, Schwellenwert (T -> N), Schwellenwert (N -> T), Schwellenwert (aktuell)
			WDR	WDR (Modus, Stufe), Defog (Modus, Stufe)
			BLC	BLC (Modus, Stufe), HLC (Modus, Stufe)
			DNR	3DNR (Modus, Stufe)
			VerticalView	Modus, Rotation
		Bereichsmaske	Farbe, Name	
Digitaler Zoom	Stufe			
KONFIGURATION	Ereignis	Auslöser	Bewegung, Manipulation, System, Manuell, Netzwerk, Timer, Tag/Nacht	
		Aktionen	E-Mail, FTP, Video Boost, Benachrichtigungsserver	
		Regeln	Ereignisverarbeitung, ONVIF Mapping	
	System	Sicherheit	Benutzer, HTTPS, IP-Filter, ONVIF, Video-Stream, Export/Import	
		Datum/Uhrzeit	Aktuelle Uhrzeit, Neue Uhrzeit, Zeitzone, Datum & Uhrzeit anzeigen	
		Netzwerk	TCP/IP, DDNS, RTP, UPnP, Zeroconf, Bonjour	
		Sprache	Englisch, Deutsch, Französisch, Koreanisch	
		Wartung	Wartung (Neustart, Zurücksetzen, Voreinstellung), Upgrade, Konfiguration exportieren, Konfiguration importieren	
		Protokoll und Bericht	Protokolle (Datenbankkapazität, Suchbedingung, Protokollliste), Bericht	
	Vier-Augen-Prinzip	Bestätigung # 1/2		
AUSLOGGEN				

(***) Nur verfügbar bei den Modellen mit Autofokus oder einem eingebauten motorisierten Varifokal-Objektiv.

Schnellkonfiguration

Information

Zeigt allgemeine Informationen über das System an wie Modellname, MAC-Adresse, IP-Adresse, Zeroconf-IP-Adresse, Firmware-Version, Serverzeit, Betriebszeit, CPU-Auslastung, den ein- und ausgehenden Datenverkehr und die Open-Source-Liste.

The screenshot shows the 'Information' configuration page. The left sidebar has 'Information' selected under the 'SETUP' menu. The main content area displays system details under the 'General' tab.

Parameter	Value
Model	XXX-XXXXXXXXXX
MAC Address	78:C2:C0:21:9E:85
IP Address	192.168.0.19
Zeroconf IP Address	169.254.213.228
Hardware Version	XX
Firmware Version	X.X.X.XXX

Below the 'General' tab, there is a 'System Information' section.

Benutzer

Verwaltung der Benutzerkonten nach Gruppen, Namen und Verantwortungsbereichen.

- > BENUTZER: Können hinzugefügt, bearbeitet oder gelöscht werden.

The screenshot shows the 'Security' configuration page. The left sidebar has 'System' selected under the 'SETUP' menu, with 'Security' highlighted. The main content area displays the 'Users' tab.

Buttons: Add, Edit, Delete

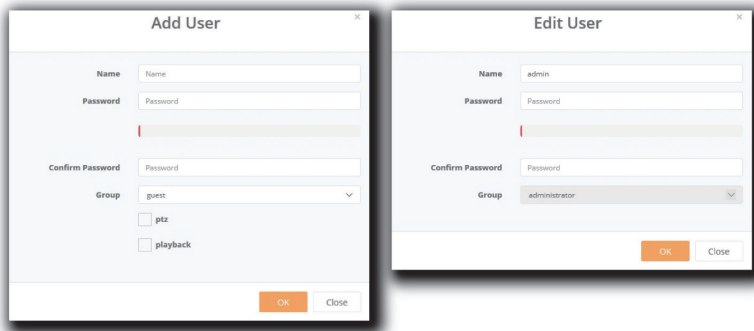
#	Name	Group	Authority
1	admin	administrator	live, setup, system

Klicken Sie auf die Schaltflächen Hinzufügen, Ändern oder Löschen, um die Benutzerkonten zu verwalten.

Hinzufügen

Zum Hinzufügen eines neuen Benutzers:

1. Klicken Sie auf Hinzufügen und geben Sie einen neuen Benutzernamen ein. (1 bis 14 alphanumerische Zeichen). Bei den Benutzernamen wird nicht zwischen Groß- und Kleinschreibung unterschieden.
2. Geben Sie ein Passwort ein und tippen Sie diesen anschließend zur Bestätigung erneut ein. (1 bis 8 alphanumerische Zeichen). Bei Passwörtern wird die Groß-/ Kleinschreibung berücksichtigt.
3. Wählen Sie eine der Gruppen, der Sie den Benutzer zuweisen möchten.
4. Klicken Sie auf die Schaltfläche OK, um die Einstellungen zu speichern und den neuen Benutzer hinzuzufügen.



The image shows two side-by-side screenshots of user management forms. The left form is titled 'Add User' and contains fields for Name, Password, Confirm Password, and a Group dropdown menu. The Group dropdown is currently set to 'guest' and has three radio button options below it: 'ptz', 'playback', and 'guest'. The right form is titled 'Edit User' and contains fields for Name (pre-filled with 'admin'), Password, Confirm Password, and a Group dropdown menu (pre-filled with 'administrator'). Both forms have 'OK' and 'Close' buttons at the bottom right.

Bearbeiten

Zum Bearbeiten eines Benutzers:

1. Wählen Sie den Namen des Benutzers aus der Benutzerliste aus, den Sie bearbeiten möchten.
2. Klicken Sie auf die Registerkarte Bearbeiten, dann erscheint ein neues Popup-Fenster.
3. Geben Sie ein Passwort ein (1 bis 8 alphanumerische Zeichen) und tippen Sie diesen anschließend zur Bestätigung erneut ein. **Der Benutzername kann nicht geändert werden.**
4. Wählen Sie eine der Gruppen, der Sie den Benutzer zuweisen möchten.
5. Klicken Sie auf die Schaltfläche OK, um die geänderten Einstellungen des Benutzers zu speichern.

Löschen

Zum Entfernen eines Benutzers:

1. Wählen Sie den Namen des Benutzers aus der Benutzerliste aus, den Sie entfernen möchten.
2. Klicken Sie auf Löschen. In einem Dialogfeld werden Sie um Bestätigung gebeten.
3. Klicken Sie auf die Schaltfläche OK. Das Benutzerprofil wird aus der Benutzerliste entfernt.

Datum/Uhrzeit

Aktuelle Uhrzeit

Zeigt das aktuelle Datum und die aktuelle Uhrzeit an. Beim Klick auf SAVE (SPEICHERN) werden das Datum und die Uhrzeit aktualisiert und unter NEW TIME (NEUE ZEIT) gespeichert.

Neue Uhrzeit

Wählen Sie eine Server-Zeit aus.

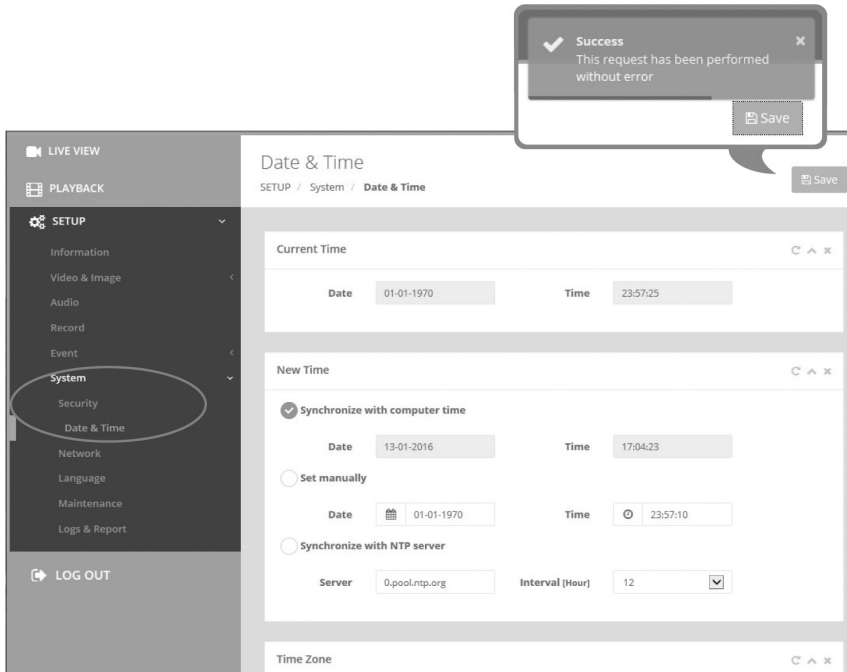
- Synchronize with computer time (Synchronisation mit der Computerzeit): Stellt die Uhrzeit anhand der Zeit Ihres Computers ein.
- Set manually (Manuelle Einstellung): Stellt das Datum und die Uhrzeit manuell ein.
- Synchronize with NTP Server (Synchronisation mit NTP-Server): Stellt die Uhrzeit alle 60 Minuten anhand des zugewiesenen NTP-Servers ein. Die IP-Adresse oder der Host-Name des NTP-Servers wird im Zeitserver angegeben.

Zeitzone

Der ausgewählte NTP-Server soll mit der Zeitzone übereinstimmen, in der die Kamera installiert wurde. Markieren Sie das Kontrollkästchen AUTOMATICALLY ADJUST FOR DAYLIGHT SAVING CHANGES (Automatische Sommerzeitumschaltung), um die durch die Sommerzeit erforderlichen Umstellungen automatisch durchführen zu lassen.

Datum- & Uhrzeitanzeige

Wählen Sie das Datums&Zeitformat aus, die angezeigt werden sollen.



Netzwerk

Wenn im Netzwerk ein DHCP-Server (Dynamic Host Configuration Protocol) vorhanden ist, weist dieser Netzwerkgeräten automatisch eine IP-Adresse zu.

IPv4-Adresse

Obtain IP address via DHCP (IP-Adresse von DHCP-Server beziehen):

Ruft die IP-Adresse ab, die vom DHCP-Server (Dynamic Host Configuration-Protokoll) zugewiesen wurde.

Status:

'Allocated' zeigt an, dass die IP-Adresse vom DHCP bezogen wurde.

IP-Adresse, Subnetzmaske, Gateway:

Zeigt die aktuelle IP-Adresse an, die vom DHCP bezogen wurde.

Use the following IP address (Folgende IP-Adresse verwenden):

Markieren Sie das Optionsfeld nur, wenn Sie die IP-Adresse manuell einstellen wollen.

IPv6-Adresse

Markieren Sie das Kontrollkästchen ENABLE (AKTIVIEREN), um die IPv6-Adresse zu verwenden, und klicken Sie auf die Schaltfläche SAVE (SPEICHERN), anschließend wird eine neue IPv6-Adresse bezogen.

DNS

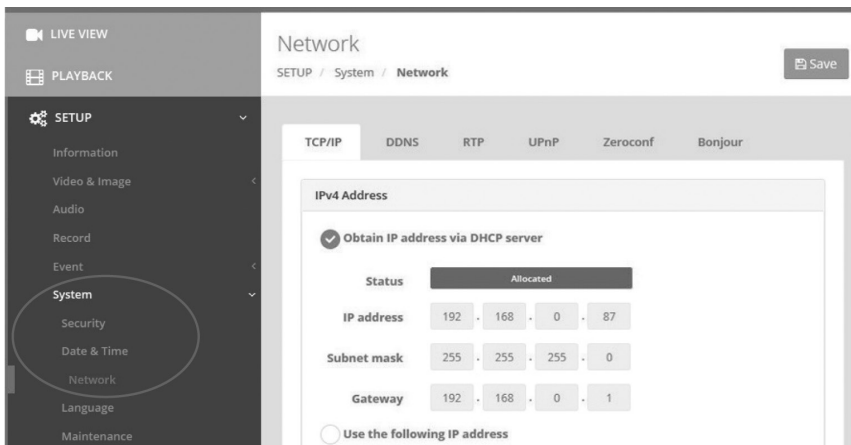
DNS-Adresse von DHCP-Server beziehen:

Bezieht die DNS-Adresse, die vom DHCP-Server automatisch zugewiesen wurde.

Folgende DNS-Adresse verwenden:

Benötigt manuelle Eingabe, siehe unten.

- DOMAIN NAME (DOMAINNAME): Geben Sie die Domain für den Hostnamen ein.
- PRIMARY DNS SERVER (Primärer DNS-Server): Geben Sie die IP-Adresse des primären DNS-Servers ein.
- SECONDARY DNS SERVER (Sekundärer DNS-Server): Geben Sie die IP-Adresse des sekundären DNS-Servers ein.



The screenshot shows the 'Network' configuration page in the 'SETUP' menu. The 'System' menu item is circled. The 'Network' configuration page shows the 'IPv4 Address' section with the 'Obtain IP address via DHCP server' option selected. The IP address is 192.168.0.87, the subnet mask is 255.255.255.0, and the gateway is 192.168.0.1. The 'Use the following IP address' option is unselected.

Weitere Informationen

Bitte halten Sie die Firmware stets aktuell, damit Sie die neuesten Funktionen des Geräts nutzen können. Die aktuellsten Firmware-Versionen finden Sie auf unserer Website unter www.eneo-security.com.

Das Benutzerhandbuch und weitere Software-Tools sind auf der eneo Website unter www.eneo-security.com verfügbar.

Informationen zu kompatiblen Video Management Software-Lösungen finden Sie in der Kategorie **Software** unter www.eneo-security.com.

DE

OPEN SOURCE SOFTWARE LIZENZINFORMATION

Software, die mit eneo Produkten ausgeliefert wird, kann urheberrechtlich geschützte Softwarekomponenten enthalten, die unter verschiedenen Open-Source-Lizenzen stehen. Detaillierte Informationen über die enthaltenen Open-Source-Softwarepakete, die verwendeten Paketversionen, Lizenzinformationen und die vollständigen Lizenzbedingungen finden Sie

- in der Benutzeroberfläche Ihrer Produkte enthaltenen Open-Source-Informationen,
- auf den Produktdetailseiten auf der eneo Website (www.eneo-security.com),
- im eneo Downloadportal (<https://datacloud.videor.com/s/eneodownloadportal>). Für den Fall, dass der vorherige Link nicht mehr funktioniert, finden Sie den aktuellen Link zum eneo-Downloadportal auf jeder eneo Produktseite unter www.eneo-security.com.
- im Download-Paket Ihrer Firmware. Die vollständigen Open-Source-Software-Lizenzinformationen zu Ihrem Produkt sind im entsprechenden Downloadpaket enthalten, das Sie in unserem Downloadportal finden.

Sollte Ihnen eine Information fehlen, wenden Sie sich bitte an opensource@eneo-security.com, wir stellen Ihnen die fehlende Information natürlich gerne zur Verfügung und werden diese ebenfalls der Öffentlichkeit zugänglich machen.

Wenn Sie Zugang zu den in unseren Produkten verwendeten Open-Source-Komponenten (Quellcodes) erhalten möchten, wenden Sie sich bitte an opensource@eneo-security.com.



eneo® is a registered trademark of
VIDEOR E. Hartig GmbH
Exclusive distribution through specialised
trade channels only.

VIDEOR E. Hartig GmbH
Carl-Zeiss-Straße 8
63322 Rödermark/Germany
Tel. +49 (0) 6074 / 888-0
Fax +49 (0) 6074 / 888-100
www.videor.com
www.eneo-security.com

Technical changes reserved

© Copyright by VIDEOR E. Hartig GmbH
Version 03/2022