



EN

DE

Quick Installation Guide

**1/2.8" Network Camera,
1920x1080, Day&Night,
DOL-WDR, 2.7-13.5mm,
Infrared, IP67**

ICB-62M2713MAA

Table of content

Parts supplied	5
Part names	6
Installation instructions	7
Cover Opening Alarm and External Alarm Input	7
Using Grommet.....	8
Using RJ45 Easy Cap for Network cable	8
Recommended cable length into the Junction box base	8
Pan & Tilt adjustments	12
Sunshield Assembling	14
Quick Network Setup	15
Web viewer description	16
Player control & Display	16
PTZ Control.....	17
Setup Menu Table	18
Quick Setup	20
Information	20
Users	20
Add	21
Edit.....	21
Delete	22
Date & Time	22
Current Time	22
New Time.....	22
Time Zone	22
Day & Time Display	23
Network	23
IPv4 Address	23
IPv6 Address	24
DNS	24
Further information	25

Safety instructions

EN

General safety instructions

- Before switching on and operating the system, first read this safety advice and the operating instructions.
- Keep the operating instructions in a safe place for later use.
- Installation, commissioning and maintenance of the system may only be carried out by authorised individuals and in accordance with the installation instructions - ensuring that all applicable standards and guidelines are followed.
- Protect the devices from water penetration and humidity, since these can cause lasting damage.
- Should moisture nevertheless enter the system, under no circumstance switch on the devices under these conditions, instead send them for examination to an authorised specialist workshop.
- The system must never be used outside of the technical specifications, since this can destroy it.
- The device must be protected from excesses of heat, dust, humidity and vibration.
- When separating the system from the voltage supply, only ever use the plug to pull out the cable. Never pull directly on the cable itself.
- Lay the connecting cables carefully and check that they are not mechanically stressed, kinked or damaged and that no humidity can penetrate into them.
- In the event of a malfunction, please inform your supplier.
- Maintenance and repairs may only be carried out by authorised specialist personnel.
- The system must be isolated from the power supply before opening the housing.
- The device may only be opened by qualified service personnel. Unauthorised access invalidates any warranty claim.
- Connection cables should always be exchanged through Videor E. Hartig GmbH.
- Use only original spare parts and accessories from Videor E. Hartig GmbH.
- The housing should only be cleaned using a mild domestic cleaning agent. Never use solvents or petrol as these can permanently damage the surface.
- During installation, it is essential to ensure that the seals provided are correctly installed and that they are not displaced during installation. Damaged seals must not be installed and will invalidate any warranty.
- The installer is responsible for the maintenance of the enclosure as per the technical data, e.g. by sealing the cable outlets with silicone.
- Wire end ferrules should be used when shortening the flexible connection cables.
- The devices may only be operated in the temperature range indicated in the data sheet and within the defined air humidity range.

Product - Specific Safety Instructions

- The camera may never be pointed directly at the Sun with the aperture open (this will destroy the sensor).
- It is unavoidable that during manufacture and to a certain extent during later use, humidity will be present in the ambient air within the device's housing. In the event of large temperature fluctuations, this humidity may condense inside the housing.
- To avoid this condensation inside the very tightly sealed housing, the manufacturer has inserted silica gel sachets in the housing of the various camera types.
- It is however a physical given, that these silica gel bags will reach saturation after a certain amount of time. They should therefore be replaced with new silica gel sachets.
- During installation, it is essential to ensure that the seals provided are correctly installed and that they are not displaced during installation. Damaged seals must not be installed and will invalidate any warranty.
- A multipolar, easily accessible isolation device should be installed in the proximity of the IR Spotlight, in order to disconnect the device from the power supply for service work.
- The earth connection must be made according to the low impedance requirement of DIN VDE 0100.
- Subsequent painting of the equipment surface can impair the function.
- Any warranty claim is invalidated by subsequent painting.
- A safety margin of > 1m from the spotlight must be maintained when viewing directly into the IR Spotlight in a darkened environment.
- Do not look directly at invisible LED radiation using optical instruments (e.g. a reading glass, magnifying glass or microscope), since this can endanger the eyes, LED Class 1M.
- Operation of the IR spotlight with a defective cover or during repair is prohibited.

Class A device note

This is a Class A device. This device can cause malfunctions in the living area; in such an event, the operator may need to take appropriate measures to compensate for these.

WEEE (Waste Electrical & Electronic Equipment)

Correct Disposal of This Product (Applicable in the European Union and other European countries with separate collection systems).



This marking shown on the product or its literature, indicates that it should not be disposed with other household wastes at the end of its working life. To prevent possible harm to the environment or human health from uncontrolled waste disposal, please separate this from other types of wastes and recycle it responsibly to promote the sustainable reuse of material resources. Household users should contact either the retailer where they purchased this product, or their local government office, for details of where and how they can take this item for environmentally safe recycling. Business users should contact their supplier and check the terms and conditions of the purchase contract. This product should not be mixed with other commercial wastes for disposal.

Graphical symbols

Please pay attention to the safety instructions, and carefully read through this instruction guide before initial operation.



Important points of warning are marked with a caution symbol.

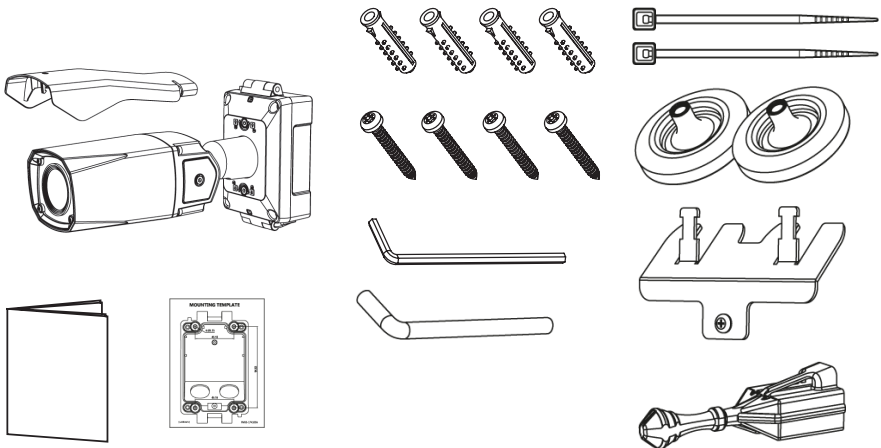


Important points of advice are marked with a notice symbol.

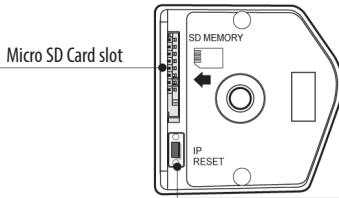
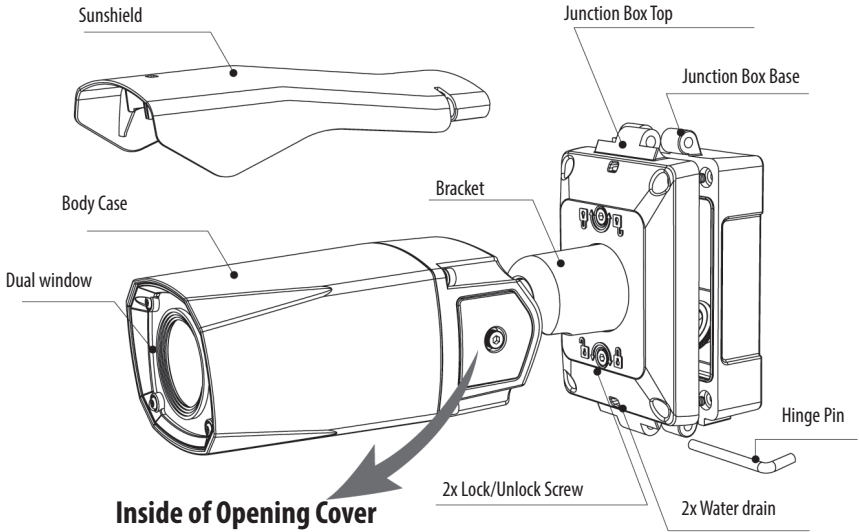
Parts supplied

- Network Camera
- Sunshield
- Operating Instruction
- Mounting Template
- Plastic Anchor: 6 x 30mm (4x)
- Mounting Screw: 4 x 30mm (4x)
- Hex Wrench: 3mm (1x)
- Hinge Pin (1x)
- Cable Tie (2x)
- Grommet (2x)
- Cable fixation plate with Fixing screw
- RJ45 Easy Cap for Grommets

EN



Part names

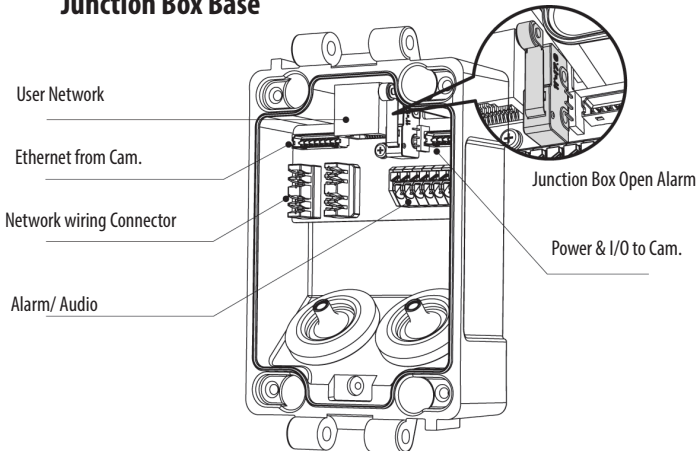


IP Reset (Default) : pressing for 5~8 seconds resets all parameters to original factory settings.



Please close the cover after setting up and tighten it properly. Otherwise, moisture can get inside the housing.

Junction Box Base



Installation instructions

Cover Opening Alarm and External Alarm Input



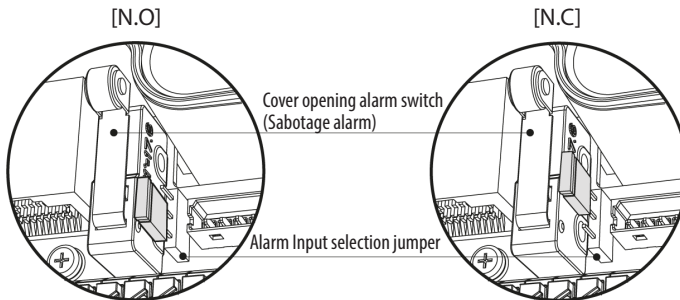
CAUTION: Cover Opening(Sabotage) Alarm and External Alarm Input are electrically tied together internally. Alarm contact types, N.O or N.C are selectable by the Alarm Input Selection Jumper and the selection types should be matched with Alarm Type in setup menu.

When both of Cover Opening Alarm and External Alarm Input are used at the same time, the alarm contact types must match. Otherwise, alarm malfunctions. When External Alarm Input only is used with disabling Cover Opening Alarm, remove the jumper cap of Alarm Input Selection Jumper.

N.O : Alarm is generated when Junction box is OPEN.

N.C : Alarm is generated when Junction box is CLOSED.

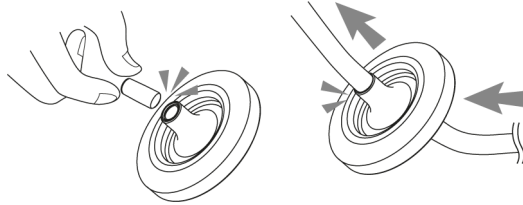
Default setting for Alarm Input selection jumper is N.C. It prevents from Alarm is generating when Junction box is OPEN during installation. Alarm Input selection jumper should be set to N.O and Event Trigger/Action should be denied to enable Cover opening alarm.



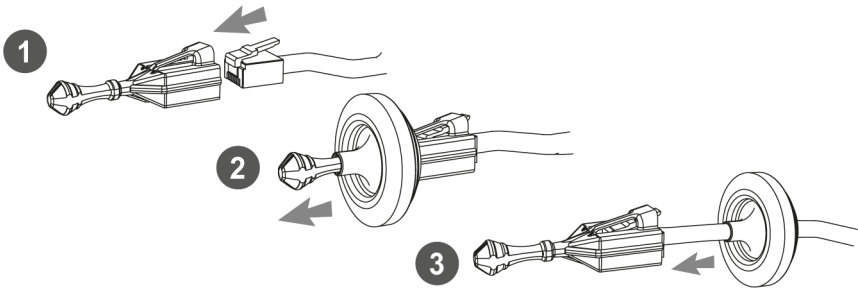
For Cover Opening Alarm, please go to SETUP> Event Rules> Event Processing> Add Event Trigger should be set to "Alarm In" and then Event Action should be set as available options

Using Grommet

Tear off the cocks of grommets properly and pull up the grommet so that sealing can wrap the cable properly as illustrated. If it doesn't wrap the cable properly, it could cause the water leakage problem.



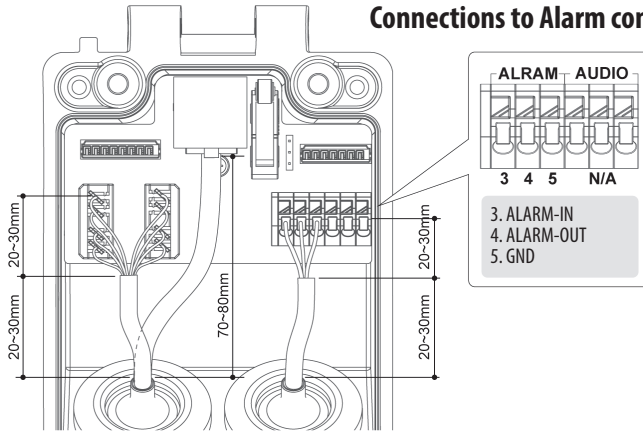
Using RJ45 Easy Cap for Network cable



Recommended cable length into the Junction box base

- CABLE with RJ-45 Connector: 70mm~80mm
- CABLE for Network Wiring Connector: 20mm~30mm (excluding cable tripping section) 8P cable stripping distance: 20mm~30mm
- Alarm/Audio CABLE: 20mm~30mm (excluding cable tripping section) 6P cable stripping distance: 20mm~30mm

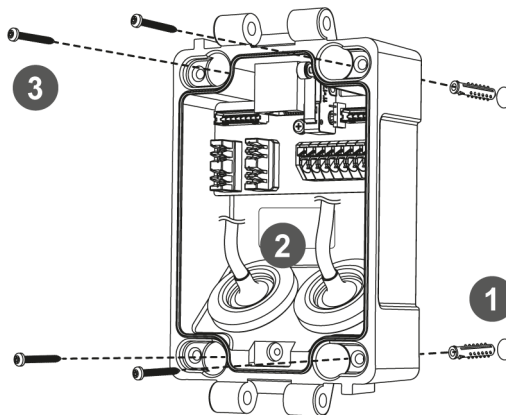
Connections to Alarm connectors



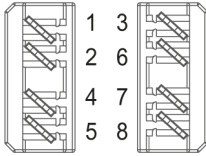
Install the mount onto a strong structure.

Prepare the Junction box base and the accessories for installation.

1. Locate the mounting template at the installation position and drill the ceiling or wall if needed.
2. Route the Power/Ethernet cables through the grommets from the wall. Insert the grommets onto the Junction box base.
3. Place the Junction box base on pre-drilled position and fix it through using mounting screws (4x30mm).

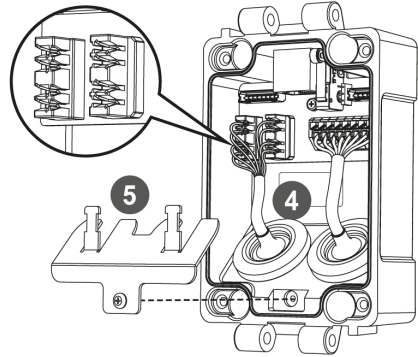


4. Hook up the Power & I/O wires and Network cable to the connectors. Network cable can be connected to either RJ-45 connector or LSA connectors.
5. Fix the cable fixation plate and tie up the cable to it.

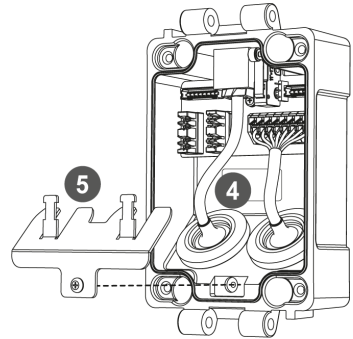


TIA/EIA 568A	TIA/EIA 568B
1. Green-White	1. Orange-White
2. Green	2. Orange
3. Orange-White	3. Green-White
4. Blue	4. Blue
5. Blue-White	5. Blue-White
6. Orange	6. Green
7. Brown-White	7. Brown-White
8. Brown	8. Brown

Connections to LSA connectors

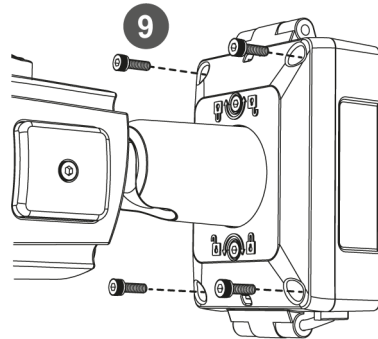
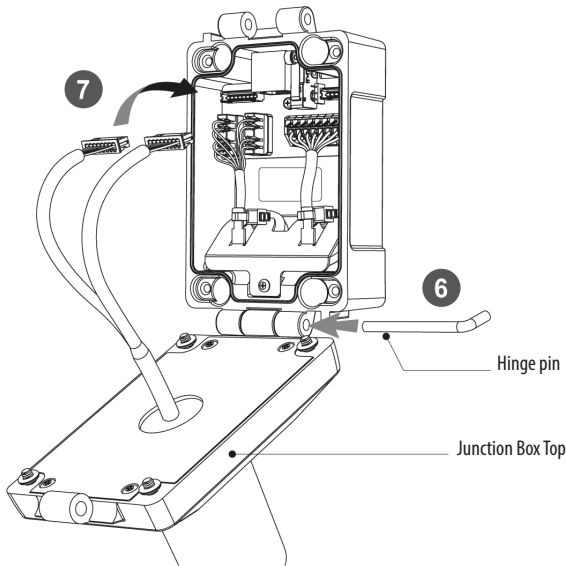


Connections to RJ-45 connector



6. Assemble the Junction box top to the Junction box base using a hinge pin. Hinge can be inserted at either side for convenience.

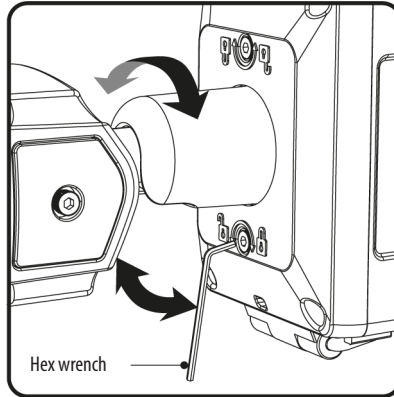
- Connects the Power/Ethernet cables from camera.



- Set Alarm Input Selection Jumper. (Refer to 'Cover Opening Alarm and External Alarm Input')
- Cover the Junction box top and tighten with assembly screws (4pcs).

*** Caution: If assembly screws are not firmly assembled, it causes water leakage**

10. Set the camera's orientation and tighten the Lock/Unlock screws using hex wrench.
11. Open the Opening cover to insert the Micro SD memory.
12. After all the setting, close the Opening cover and tighten it.
13. Put the sunshield to the camera unit and tighten the sunshield bolts..



Adjustment of viewing angle with a bracket

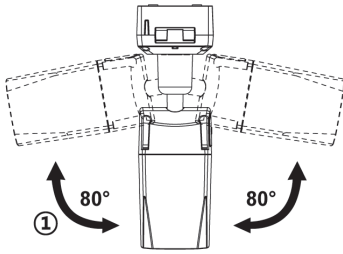


CAUTION:

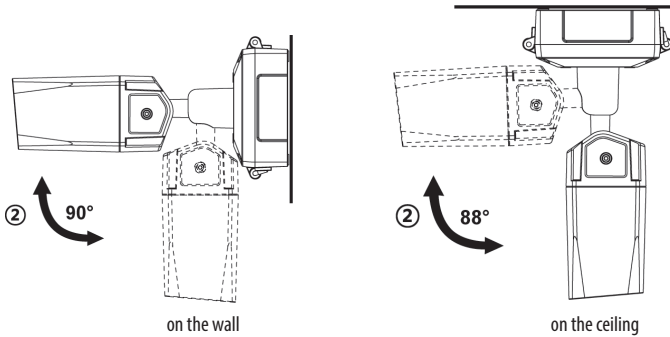
Extreme care should be taken NOT to scratch the window in front of lens. Care should be taken the cable is NOT to be damaged, kinked or exposed in the hazardous area. Do not expose the camera directly to a strong light source such as the sun or spot light.

Pan & Tilt adjustments

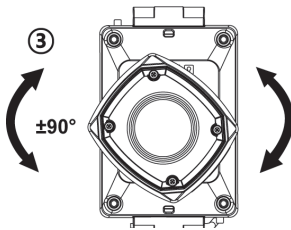
- Unlock the screw on the camera bracket through using the torque wrench supplied
 - Set the camera's viewing angle then lock the screw on the bracket.
1. Pan limit: Pan is limited to +/- 90°.



2. Tilt limit: Tilt is limited to 0°(2°) min ~ 90° max. for wall(ceiling) installation respectively with reference to the wall(ceiling) when the inclination of camera module is 0°, that is, the image is aligned horizontally.



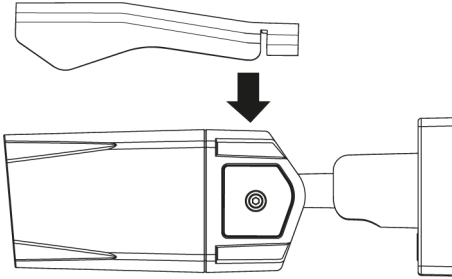
3. Inclination limit (Horizontal image alignment): Inclination limited to +/-90° max.



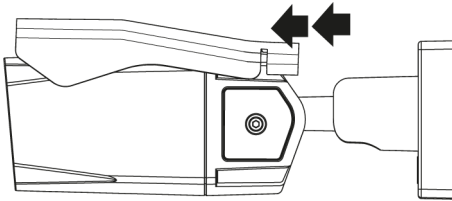
Sunshield Assembling

After all adjustments, assemble the sunshield with the camera unit as illustrated.

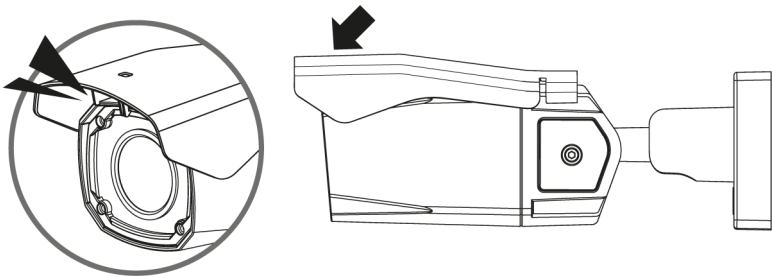
1. Cover the sunshield to the camera unit.



2. Slide forward to straighten the camera front case.



3. Push down the front part of sunshield until clicking sound. Make sure the sunshield is fixed with camera.

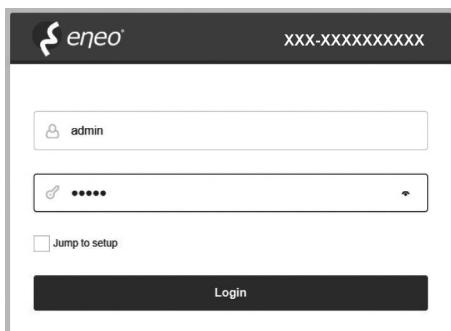


Quick Network Setup

1. After the camera is connected to the network, start '*eneo Site Manager*' tool (downloadable from www.eneo-security.com).
2. You will get a list of cameras connected to the local network. Highlight your camera in the list and open a context menu with a click of the right mouse button.
3. Select the „Set IP Address [dhcp / static]“ option to open a window for setting the cameras IP properties. When you are done click the „OK“ button to update the camera settings.
4. By default the camera is set to DHCP. If there is no DHCP server present in the network the camera will fall back to a default IP address after a while. In this scenario please only add one camera at a time to the network to avoid conflicts due to identical IP addresses.
The network camera's default IP address is: **192.168.1.10**.
5. Right clicking the device name in the eneo Site Manager will bring up the context menu. Use the '*Open Device Web Site*' option to access the camera.
6. The web viewer login page will open up in your default web browser.
In case of Microsoft Internet Explorer install Active-X named VIDEOR E. Hartig GmbH according to the instruction at the bottom of the browser.
7. Use the default user name and password to log in.

Default user name: admin

Default password: admin

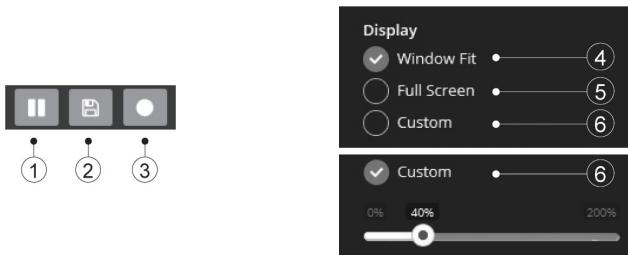


Web viewer description



- (A) Menu button : Click the button to show or hide the setup menu bar.
- (B) Model name : Show a camera model name connected.
- (C) Select Language : Set the web viewer language English, Deutsch or French.
- (D) Main setup menu bar : Set the camera or network functions.
- (E) Camera monitoring window: Display the currently connected camera view or function.
- (F) Log out and exit the web viewer

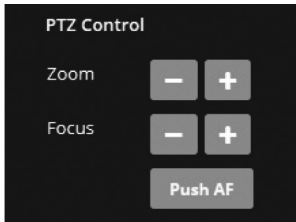
Player control & Display



- (1) Pause: Pauses the live view.
- (2) Snapshot: Captures the image in .jpg format with the current stream resolution.
- (3) Record: Records the live video in H.264 format to the equipped storage memory like SD, SDHC or SDXC from the video stream selected in the RECORD menu.

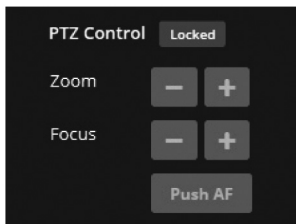
- (4) Window Fit: Resizes the live view display to fit along with the display window size.
- (5) Full Screen: Resizes the live view display to fit to the monitor resolution. ESC key returns to the previous view.
- (6) Custom: Selects the live view display scale, 0%~200%, by the control bar. 100% is the original size.

PTZ Control



- Zoom: Controls the lens optical zoom in/out for WIDE & TELE.
- Focus: Adjusts the lens focus manually for NEAR & FAR.
- Push AF: Gets the lens to focus at the push of a button.

Note:



- ZOOM, FOCUS & PUSH AF are disabled when PTZ control is locked.
- PTZ control can be unlocked at Setup>Video&Image>Image>AF>Lens Locking to OFF or TIMER.



CAUTION:

- Set LENS LOCKING at Setup>Video&Image>Image>AF>Lens Locking to ON or TIMER after completing lens setting to prevent unwanted lens operation.
- Do not adjust zoom/focus in low light conditions or night mode. It might cause erroneous focusing.
- For V/F versions, Zoom/Focus operation is strongly recommended for installation purpose only. Frequent zoom/focus adjustments can reduce the life span of the lens..

Setup Menu Table

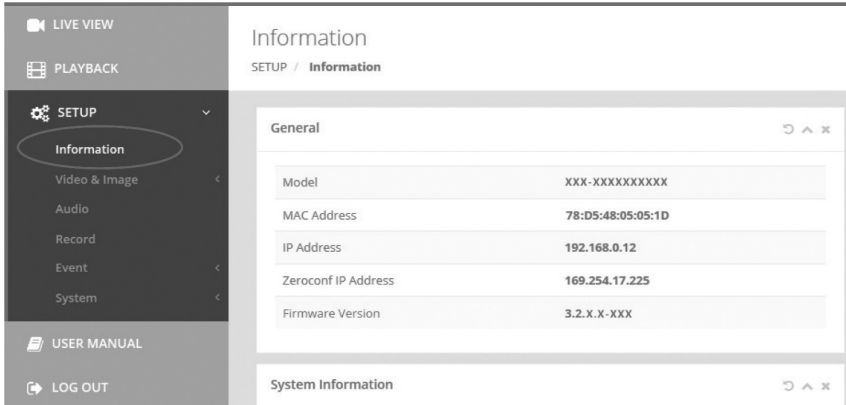
Category	Menu	Configuration		
LIVE VIEW	Player Control	Pause, Snapshot, Record		
		Display (Window Fit, Full Screen, Custom)		
	Video Stream	Stream1, Stream2, Stream3		
	Protocol	HTTPS, HTTP, TCP, UDP		
	PTZ Control	Zoom, Focus, Push AF		
PLAYBACK	Event Search, Timeline Search, Timeline Bar			
SETUP	Information	General, System Information, Open source Information		
	Video & Image	Source		
		Stream1/2/3		
		Smart Video Stream	ROI(Region Of Interest), Dynamic GOP	
		Image	Basic	Brightness, Contrast, Saturation, Hue, Sharpness, Enable flip image, Enable mirror image
			OSD	Enable text OSD, Enable date&time OSD, Enable zoom&focus OSD Mode
			AE	Mode, Slow shutter, Luminance compensation, Auto Iris, Auto Flickerless, Shutter, Max. Shutter, Gain, Max. Gain
			AWB	Mode, R Gain, G Gain, B Gain
			AF	Mode, Speed, Lens Locking, Locking Timer, Lens Calibration, Enable Day& Night sync focus, Lens initialize on boot
			Day&Night	Mode, Switching time, Threshold (D->N), Threshold (N->D), Threshold(Current), IR LED Control
			WDR	WDR(Mode, Level), DWDR(Mode, Level)
			BLC	BLC(Mode, Level), HLC(Mode, Level)
			DNR	3DNR(Mode, Level)
			LDC	Mode
		VerticalView	Mode, Rotation	
		Privacy Mask	Color, Name	
Digital Zoom	Level			

SETUP	Record	Record	Overwrite when storage is full, Continuous record setting
		Schedule	
		Recycling	Recycling Time Setting
		Storage	Format, Remove, Storage Information
	Event	Triggers	Motion, Tamper, Alarm In, System, Manual, Network, Timer, Day/ Night
		Actions	Record, Alarm Out, E-Mail, FTP, Video Boost, Notification Server
		Rules	Event Processing, ONVIF Mapping
	System	Security	User, HTTPS, IP Filter, ONVIF, Video Stream, Export/Import
		Date & Time	Current Time, New Time, Time Zone, Date & Time Display
		Network	TCP/IP, DDNS, RTP, UPnP, Zeroconf, Bonjour
		Language	English, German, French, Polish, Finnish, Korean
		Maintenance	Maintain (Restart, Reset, Default), Upgrade, Setup Export, Setup Import
		Log & Report	Logs (Database Capacity, Search Condition, Log List), Log Sever, Report
4 EYES PRINCIPLE	Approval #1/2		
LOG OUT			

Quick Setup

Information

Shows the overall information about the system such as Model name, MAC address, IP address, Zeroconf, IP address, Firmware version, Server time, Running time, CPU usage, Inbound/Outbound Bandwidth and Open source list.



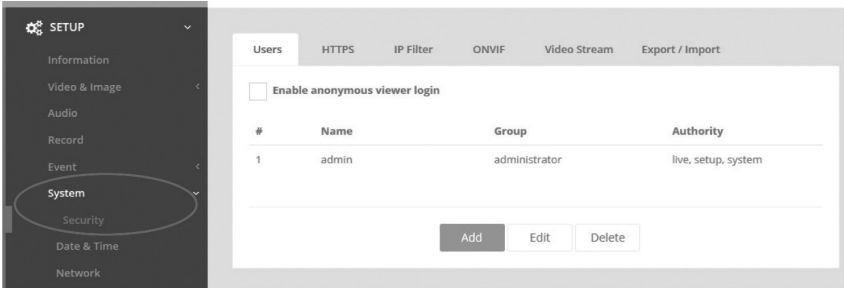
The screenshot shows the 'Information' page in the system interface. The left sidebar contains the following menu items: LIVE VIEW, PLAYBACK, SETUP (with a gear icon), Information (circled in red), Video & Image, Audio, Record, Event, System, USER MANUAL, and LOG OUT. The main content area is titled 'Information' and shows the breadcrumb 'SETUP / Information'. Below this, there are two tabs: 'General' and 'System Information'. The 'General' tab is active and displays the following information:

General	
Model	XXX-XXXXXXXXXX
MAC Address	78:D5:48:05:05:1D
IP Address	192.168.0.12
Zeroconf IP Address	169.254.17.225
Firmware Version	3.2.X.X-XXX

Users

Manages the user accounts by names, groups and authorities.

- Mark **ENABLE ANONYMOUS VIEWR LOGIN** if anyone is permitted to login anonymously. Accessing **SETUP** menu with the anonymous login will exit and require ID/Password login.
- > **USERS** : Can be added, edited or deleted.

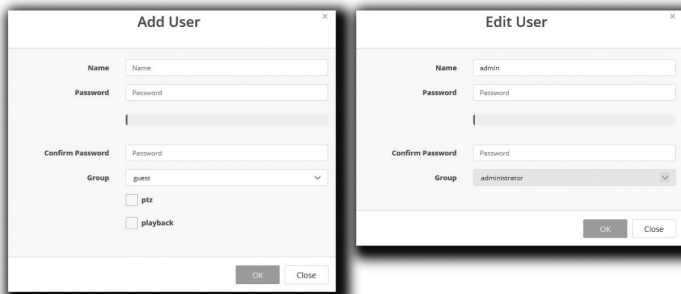


Click the Add, Edit, or Delete button for managing user account.

Add

To add a new user:

1. Click the Add tab, and type a new user name. (1 to 14 alphanumeric characters). User names are not case sensitive.
2. Type a password and retype confirm password. (1 to 8 alphanumeric characters). Passwords are case sensitive.
3. Select one of the groups you wish to assign to the user and authority for PTZ and Playback.
4. Click the OK button to save the settings and add a new user.



Edit

To edit a user:

1. Select one of the User Names in the User List you want to modify.
2. Click the Edit tab, then new pop-up window appears.
3. Type a password (1 to 8 alphanumeric characters) and retype confirm password.
The user name can't be modified.
4. Select one of the groups you wish to assign to the user.
5. Click the OK button to save the settings and modify a user.

Delete

To delete a user:

1. Select one of the User Names in the User List you want to remove.
2. Click the Delete tab. A dialog box appears with confirmation message.
3. Click the OK button. The user profile is removed from the User List profile.

Date & Time

Current Time

Shows the current date and time. Clicking SAVE tap updates and saves the date and time with the selected time in NEW TIME.

New Time

Select one of the following server time.

- Synchronize with computer time: Obtains the time from the computer.
- Set manually: Sets the date and time manually.
- Synchronize with NTP Server: Obtains the time from the assigned NTP server at every hour in INTERVAL. The NTP server's IP address or host name has to be specified in the time server.

Time Zone

Select the time zone to be referenced to the NTP server where the camera is installed. Mark AUTOMATICALLY ADJUST FOR DAYLIGHT SAVING CHANGES check box to update the time automatically with daylight savings.

Day & Time Display

Select the date & time formats to be displayed.

EN

The screenshot shows the 'Date & Time' configuration page. The left sidebar contains a 'SETUP' menu with 'System' circled. The main content area has a breadcrumb 'SETUP / System / Date & Time'. There are three sections: 'Current Time' with date '01-01-1970' and time '23:57:25'; 'New Time' with 'Synchronize with computer time' selected, date '13-01-2016', and time '17:04:23'; and 'Set manually' with date '01-01-1970' and time '23:57:10'. Below is 'Synchronize with NTP server' with server '0.pool.ntp.org' and interval '12'. A 'Time Zone' section is partially visible at the bottom. A success message box at the top right says 'Success This request has been performed without error' with a 'Save' button.

Network

The DHCP (Dynamic Host Configuration Protocol) server has a feature that automatically assigns an IP address to the device if there is a device on the network.

IPv4 Address

Obtain IP address via DHCP :

Gets the IP address assigned by the DHCP (Dynamic Host Configuration Protocol) server.

Status:

'Allocated' shows that the IP address is obtained from the DHCP.

IP address, Subnet mask, Gateway:

Displays the current IP address which is obtained from the DHCP

Use the following IP address:

Select the choice box if you want to assign the IP address manually.

IPv6 Address

Mark ENABLE check box to use IPv6 address and click SAVE button, then new IPv6 address will be obtained.

DNS

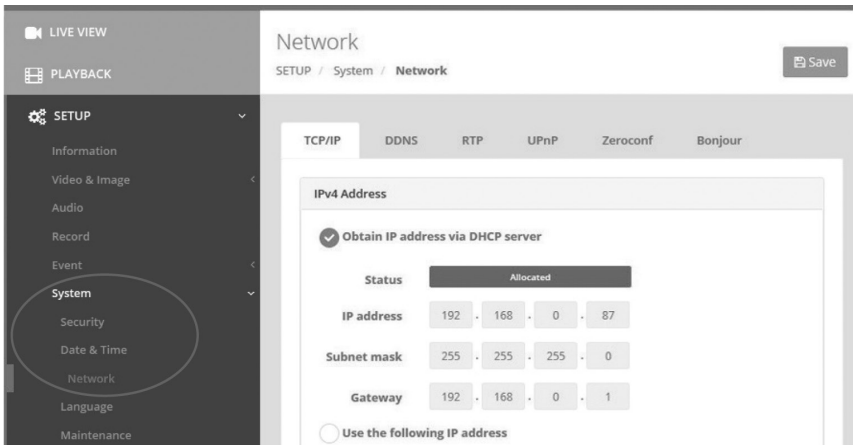
Obtain DNS address via DHCP :

Obtains the DNS address automatically assigned by DHCP server.

Use the following DNS address :

Requires manual input as per below.

- DOMAIN NAME : Enter the domain for the host name
- PRIMARY DNS SERVER : Enter the IP address of the primary DNS server.
- SECONDARY DNS SERVER : Enter the IP address of the secondary DNS server.



Further information

Make sure to always upgrade to the latest firmware version available from the eneo website at www.eneo-security.com to receive the latest functionality for your product.

The manual, and other software tools are available on the eneo website at www.eneo-security.com.

Information on compatible video management software solutions can be found in the category **Software** at www.eneo-security.com.

OPEN SOURCE SOFTWARE LICENSE INFORMATION

The software components provided with eneo products may contain copyrighted software that is licensed under various open source software licenses. For detailed information about the contained open source software packages, the used package versions, license information and complete license terms, please refer to...

- the open source information included in your products user interface,
- the product detail pages on the eneo website (**www.eneo-security.com**),
- the eneo download portal (**<https://datacloud.videor.com/s/eneodownloadportal>**). In case that previous link is broken, the latest link to the eneo download portal can be found on the respective eneo product page at **www.eneo-security.com**.
- the download package of your firmware. The complete open source software license information of your product is included in the corresponding software download package that can be found in our download portal.

If you are missing any information, please contact **opensource@eneo-security.com**, we will of course be happy to provide you with the missing information and will also make the missing information available to the public.

If you want to get access to the open source components (source codes) used in our products, please contact **opensource@eneo-security.com**.

Inhalt

Lieferumfang	29
Gerätekomponenten.....	30
Installationsanweisungen	31
Alarm bei Öffnung der Abdeckung und externer Alarmeingang	31
Verwendung der Tülle	32
Verwendung des RJ45-Aufsatzes für Netzkabel.....	32
Empfohlene Kabellängen für die Anschlussbox	32
Einstellung von Schwenkung und Neigung.....	36
Montage des Sonnenschutzdaches	38
Schnelle Netzwerkkonfiguration	39
Beschreibung des Web-Viewers.....	40
Player-Steuerung & Anzeige	40
PTZ-Steuerung	41
Übersicht des Konfigurationsmenüs.....	43
Schnellkonfiguration	45
Information.....	45
Benutzer.....	45
Hinzufügen.....	46
Bearbeiten	47
Löschen.....	47
Datum/Uhrzeit	47
Aktuelle Uhrzeit	47
Neue Uhrzeit	47
Zeitzone.....	48
Datum- & Uhrzeitanzeige.....	48
Netzwerk	49
IPv4-Adresse.....	49
IPv6-Adresse.....	49
DNS	49
Weitere Informationen.....	51

Sicherheitsanweisungen

Sicherheitshinweise allgemein

- Bevor Sie das System anschließen und in Betrieb nehmen, lesen Sie zuerst diese Sicherheitshinweise und die Betriebsanleitung.
- Bewahren Sie die Betriebsanleitung sorgfältig zur späteren Verwendung auf.
- Montage, Inbetriebnahme und Wartung des Systems darf nur durch dafür autorisierte Personen vorgenommen und entsprechend den Installationsanweisungen - unter Beachtung aller mitgeltenden Normen und Richtlinien - durchgeführt werden.
- Die Geräte gegen Eindringen von Wasser und Feuchtigkeit schützen, dies kann zu dauerhaften Schäden führen.
- Sollte dennoch Feuchtigkeit eingedrungen sein, die Geräte nie unter diesen Bedingungen einschalten, sondern zur Überprüfung an eine autorisierte Fachwerkstatt geben.
- Das System darf nie außerhalb der technischen Daten benutzt werden, da es zerstört werden kann.
- Das Gerät ist vor großer Hitze, Staub, Feuchtigkeit und Vibrationseinwirkung zu schützen.
- Um das System von der Versorgungsspannung zu trennen, ziehen Sie das Kabel nur am Stecker heraus. Ziehen Sie nie direkt am Kabel.
- Verlegen Sie die Verbindungskabel sorgfältig und stellen Sie sicher, dass die Kabel nicht mechanisch beansprucht, geknickt oder beschädigt werden und keine Feuchtigkeit eindringen kann.
- Falls Funktionsstörungen auftreten, benachrichtigen Sie bitte Ihren Lieferanten.
- Wartung und Reparaturen dürfen nur von autorisiertem Fachpersonal ausgeführt werden.
- Vor Öffnen des Gehäuses ist eine Netztrennung erforderlich.
- Das Gerät darf nur von qualifiziertem Servicepersonal geöffnet werden. Fremdeingriffe beenden jeden Garantieanspruch.
- Anschlusskabel sollten immer nur durch VIDEOR E. Hartig GmbH ausgetauscht werden.
- Verwenden Sie nur Originalersatzteile und Original-Zubehör von VIDEOR E. Hartig GmbH.
- Zur Reinigung der Gehäuse immer nur ein mildes Haushaltsmittel verwenden. Niemals Verdüner oder Benzin benutzen, dies kann die Oberfläche dauerhaft schädigen.
- Bei der Montage muss grundsätzlich darauf geachtet werden, dass vorhandene Dichtungen ordnungsgemäß eingesetzt und bei der Montage nicht verschoben werden. Beschädigte Dichtungen dürfen nicht mehr verbaut werden und führen zum Erlöschen des Garantieanspruchs.
- Der Errichter ist für die Aufrechterhaltung der Schutzart laut technischer Daten verantwortlich, z. B. durch Abdichtung des Kabelaustritts mit Silikon.
- Bei Kürzung von flexiblen Anschlussleitung sind Aderendhülsen zu verwenden.
- Die Geräte dürfen nur in den im Datenblatt angegebenen Temperatur- und Luftfeuchtigkeitsbereichen betrieben werden.

Produktspezifische Sicherheitshinweise:

- Die Kamera darf nie mit geöffneter Blende direkt gegen die Sonne gerichtet werden (dies zerstört den Sensor).
- Es lässt sich nicht vermeiden, dass im Rahmen der Fertigung und auch beim späteren Gebrauch in gewissem Umfang Feuchtigkeit der Umgebungsluft im Gehäuse vorhanden ist. Bei starken Temperaturschwankungen kann sich die Feuchtigkeit im Gehäuse niederschlagen.
- Um dies in dem sehr dicht abschließenden Gehäuse zu vermeiden, hat der Hersteller bei verschiedenen Kamerateypen Silicagel-Beutel in das Kameragehäuse eingelegt.
- Es ist eine physikalische Gegebenheit, dass diese Silicagel-Beutel nach einer gewissen Zeit eine Sättigung erreichen. Sie sollten deshalb gegen neue Silicagel-Beutel ausgetauscht werden.
- Bei der Montage muss grundsätzlich darauf geachtet werden, dass vorhandene Dichtungen ordnungsgemäß eingesetzt und bei der Montage nicht verschoben werden. Beschädigte Dichtungen dürfen nicht mehr verbaut werden und führen zum Erlöschen des Garantieanspruchs.
- In der Nähe des IR-Scheinwerfers ist eine mehrpolige, leicht zugängliche Trennvorrichtung zu installieren, um das Gerät bei Servicearbeiten frei schalten zu können.
- Die Schutzleiterverbindung muss nach DIN VDE 0100 entsprechend niederohmig ausgeführt werden.
- Nachträgliches Lackieren der Geräteoberfläche kann die Funktion beeinträchtigen.
- Durch das Nachlackieren erlischt jeglicher Gewährleistungsanspruch.

- Bei abgedunkelter Umgebung und direktem Blick in den IR-Scheinwerfer ist ein Sicherheitsabstand von > 1 m zum Scheinwerfer einzuhalten.
- Unsichtbare LED Strahlung nicht direkt mit optischen Instrumenten (z.B. Lupe, Vergrößerungsglas oder Mikroskop) betrachten, da sie eine Augengefährdung verursachen kann, LED Klasse 1M.
- Der Betrieb des IR-Scheinwerfers bei defekter Abdeckung oder bei Reparatur ist untersagt.

Hinweis für Geräte der Klasse A

Dies ist ein Gerät der Klasse A. Dieses Gerät kann im Wohnbereich Funktionsstörungen verursachen; in diesem Fall kann vom Betreiber verlangt werden, angemessene Maßnahmen durchzuführen und dafür aufzukommen.

WEEE-Richtlinie (Elektro- und Elektronik-Altgeräte)

Ordnungsgemäße Entsorgung dieses Produkts (Gilt für die Europäische Union und die anderen Europäischen Länder mit getrennten Sammelsystemen)



Dieses am Produkt oder in seiner Dokumentation gezeigte Symbol bedeutet, dass es am Ende seiner Lebensdauer nicht mit dem Hausmüll entsorgt werden darf. Um eventuelle Umwelt- oder Gesundheitsschäden durch unkontrollierte Abfallbeseitigung zu verhindern, dieses Gerät von anderen Abfallarten trennen und ordnungsgemäß recyceln, um die nachhaltige Wiederverwendung materieller Ressourcen zu fördern. Haushaltsanwender sollten entweder den Händler, bei dem sie dieses Produkt gekauft haben, oder ihr örtliches Regierungsbüro kontaktieren, um Einzelheiten darüber zu erfahren, wo und wie sie dieses Gerät umweltgerecht recyceln können.

Geschäftliche Anwender sollten sich an ihren Lieferanten wenden und die Bedingungen des

Kaufvertrags überprüfen. Dieses Produkt darf zur Entsorgung nicht mit anderen Unternehmensabfällen vermischt werden.

Grafische Symbole

Bitte beachten Sie die Sicherheitshinweise und lesen Sie diese Anleitung vor Inbetriebnahme sorgfältig durch.



Wichtige Warnhinweise sind mit einem Achtung-Symbol gekennzeichnet.

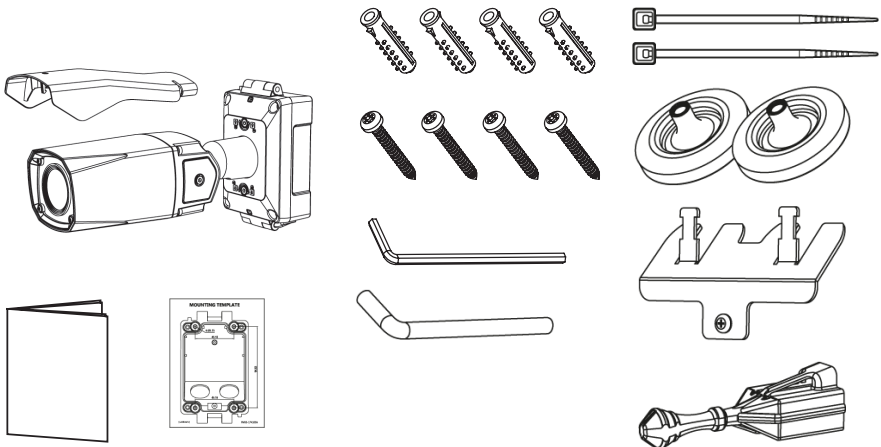


Wichtige Hinweise sind mit einem Hinweis-Symbol gekennzeichnet.

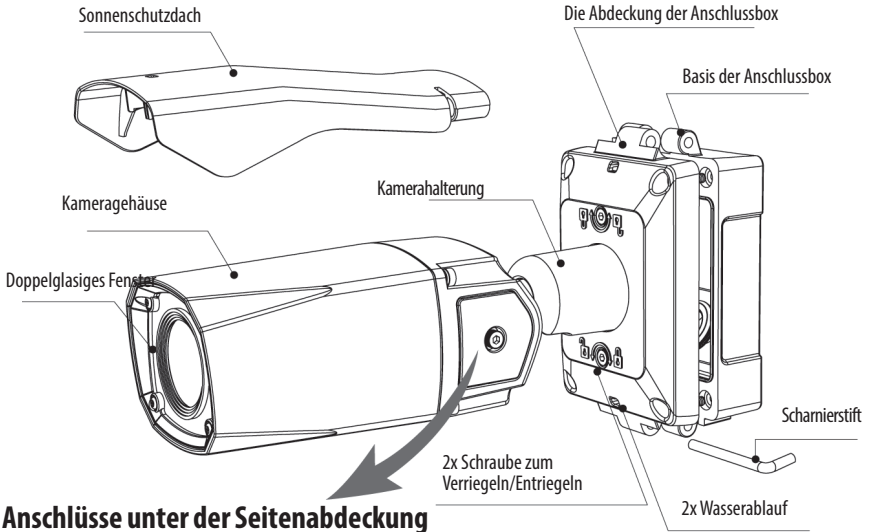
Lieferumfang

- Netzwerkkamera
- Sonnenschutzdach
- Betriebsanleitung
- Bohrschablone
- Kunststoffdübel: 6 x 30mm (4x)
- Befestigungsschraube: 4 x 30 mm (4x)
- Inbusschlüssel: 3 mm (1x)
- Scharnierstift (1x)
- Kabelbinder (2x)
- Tülle (2x)
- Kabelbefestigungsplatte mit Befestigungsschraube
- RJ45-Aufsatz für die Durchführung durch die Tülle

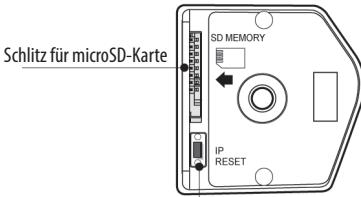
DE



Gerätekomponenten



Anschlüsse unter der Seitenabdeckung

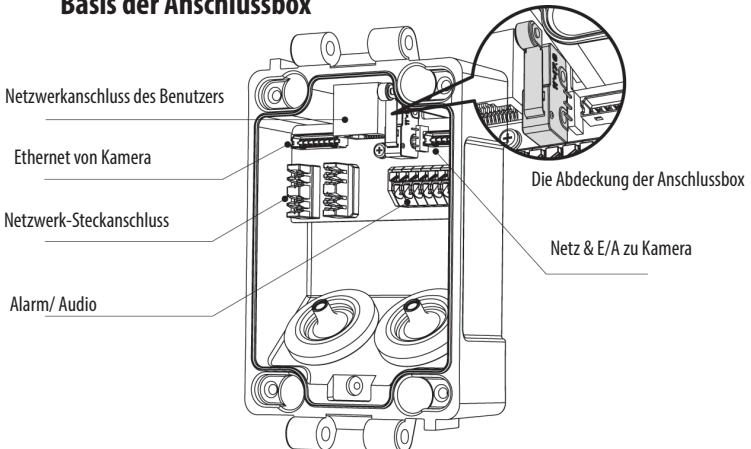


IP Reset (Standard): Langes Drücken (5~8 Sekunden) setzt alle Einstellungen auf den Werkzustand zurück.



Bitte bringen Sie die Abdeckung an den ursprünglichen Platz und ziehen Sie diese fest. Anderenfalls kann die Feuchtigkeit ins Gehäuseinnere gelangen.

Basis der Anschlussbox



Installationsanweisungen

Alarm bei Öffnung der Abdeckung und externer Alarmeingang



ACHTUNG: Der Alarm bei Öffnung der Abdeckung und der externe Alarmeingang sind intern elektrisch miteinander verbunden. Die Alarmkontakttypen NO (Schließer) oder NC (Öffner) sind über die Brücke des Alarmeingangs wählbar. Die gewählten Typen sollten mit dem Alarmtyp im Konfigurationsmenü übereinstimmen.

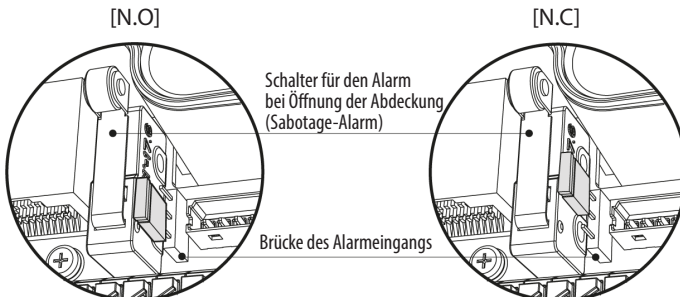
Wenn der Alarm bei Öffnung der Abdeckung und der externe Alarmeingang zur gleichen Zeit verwendet werden, müssen die Alarmkontakttypen übereinstimmen. Andererseits funktionieren die Alarme nicht. Wenn nur der externe Alarmeingang verwendet wird und der Alarm bei Öffnung der Abdeckung deaktiviert ist, nehmen Sie die Brücke des Alarmeingangs ab.

DE

N.O: Alarm wird aktiviert, wenn die Anschlussbox geöffnet wird.

N.C : Alarm wird aktiviert, wenn die Anschlussbox geschlossen wird.

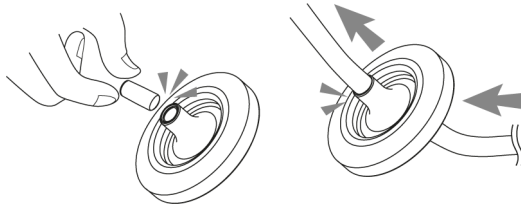
Die Standardeinstellung für die Brücke des Alarmeingangs ist N.C. Das verhindert die Alarmauslösung, wenn die Anschlussbox für die erste Einrichtung geöffnet wird. Für die Aktivierung des Alarms bei Öffnung der Abdeckung muss die Brücke des Alarmeingangs auf N.O gesetzt und der Alarm-Auslöser sowie die Alarm-Aktion eingerichtet worden sein.



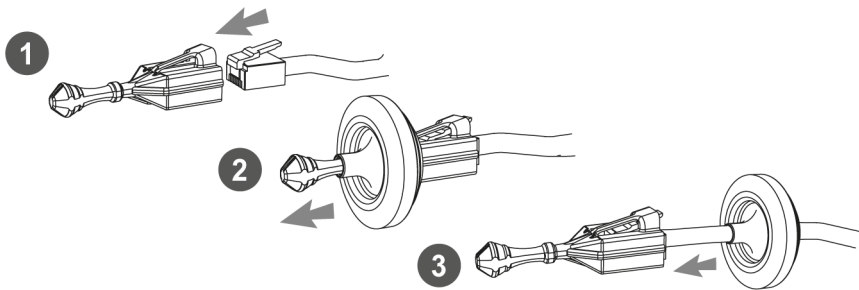
Für den Alarm bei Öffnung der Abdeckung gehen Sie zu KONFIGURATION> Ereignisse> Regel> Ereignisverarbeitung> Hinzufügen und setzen Sie den Ereignis-Auslöser auf "Alarm In". Wählen Sie anschließend aus den verfügbaren Optionen die Ereignis-Aktion aus.

Verwendung der Tülle

Entfernen Sie die Spitzen der Kabeltüllen und ziehen Sie das Ende der Tülle aus, sodass das durchgeführte Kabel, wie in der Abbildung dargestellt, fest umschlossen wird. Wenn die Tülle das Kabel nicht fest umschließt, könnte Feuchtigkeit ins Innere der Box eindringen.



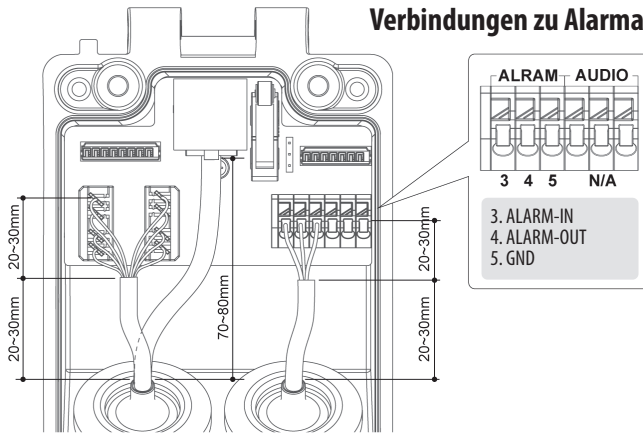
Verwendung des RJ45-Aufsatzes für Netzwerkkabel



Empfohlene Kabellängen für die Anschlussbox

- KABEL mit RJ-45-Anschluss: 70 mm ~ 80 mm
- KABEL für den Netzwerkkabelterminal: 20 mm ~ 30 mm (ohne den abisolierbaren Abschnitt) 8P Abschnitt für das Abisolieren: 20 mm ~ 30 mm
- Alarm- und Audiokabel: 20 mm ~ 30 mm (ohne den abisolierbaren Abschnitt) 6P Abschnitt für das Abisolieren: 20 mm ~ 30 mm

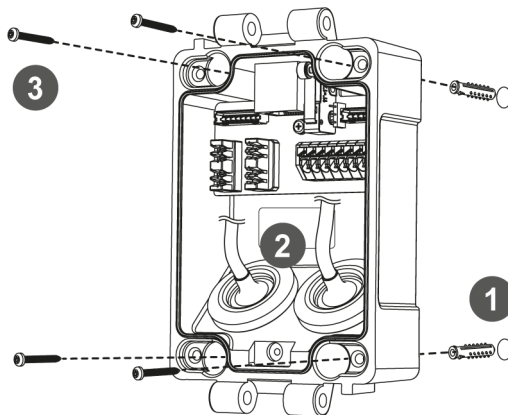
Befestigen Sie die Montagebasis an einer tragfähigen Struktur.



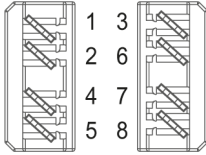
DE

Bereiten Sie die Basis der Anschlussbox und das Zubehör für die Installation vor.

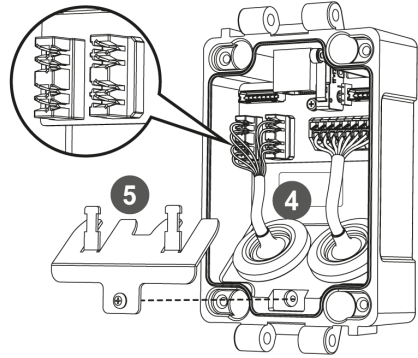
1. Halten Sie die Bohrschablone an die Installationsstelle und bohren Sie die Löcher in Decke oder Wand, falls erforderlich.
2. Verlegen Sie das Netz-/Ethernet-Kabel von der Wand durch die Tüllen. Befestigen Sie die Tüllen mit den Kabeln in der Basis der Anschlussbox.
3. Setzen Sie die Anschlussbox an die Stelle mit den vorgebohrten Löchern und befestigen Sie sie mit den Montageschrauben (4x30 mm).



4. Schließen Sie die Strom- und E/A-Drähte und das Netzkabel an den Terminals an. Das Netzkabel kann entweder über den RJ45-Anschluss oder die LSA-Anschlüsse verbunden werden.
5. Fixieren Sie die Kabelfixierungsplatte und binden Sie die Kabel daran fest.

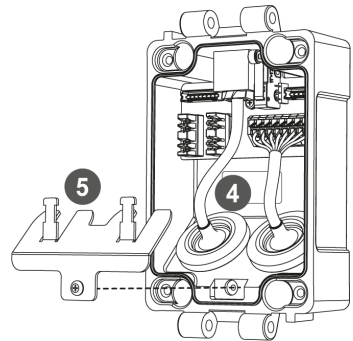


Verbindungen an den LSA-Anschlüssen

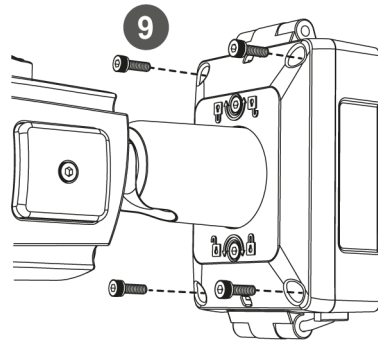
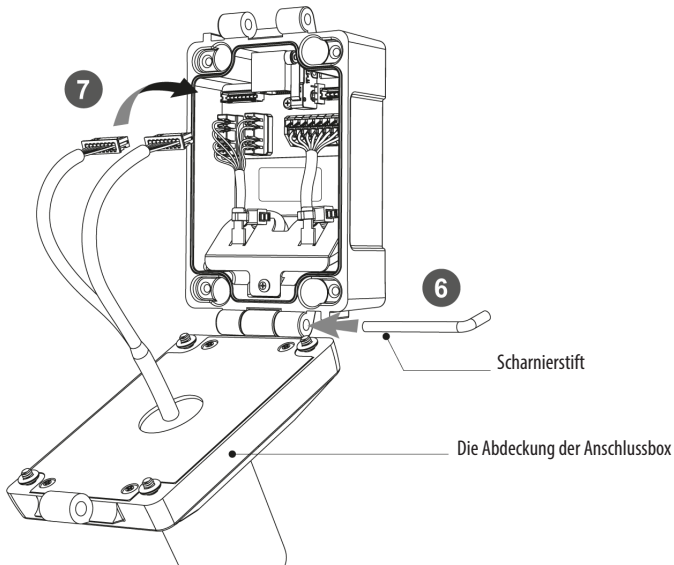


TIA/EIA 568A	TIA/EIA 568B
1. Grün-Weiß	1. Orange-Weiß
2. Grün	2. Orange
3. Orange-Weiß	3. Grün-Weiß
4. Blau	4. Blau
5. Blau-Weiß	5. Blau-Weiß
6. Orange	6. Grün
7. Braun-Weiß	7. Braun-Weiß
8. Braun	8. Braun

Verbindungen an dem RJ45-Anschluss



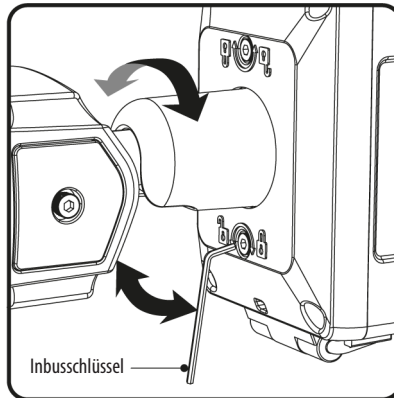
6. Befestigen Sie den Deckel der Anschlussbox mit dem Scharnierstift an der Basis der Anschlussbox. Der Stift kann von beiden Seiten eingeführt werden.
7. Schließen Sie die Netz- und Ethernet-Kabel von der Kamera an.



8. Setzen Sie die Brücke des Alarmeingangs auf. (siehe "Alarm bei Öffnung der Abdeckung und externer Alarmeingang")
9. Bringen Sie die Abdeckung der Anschlussbox an und ziehen Sie diese mit den Verbindungsschrauben (4 Stück) fest.

*** Achtung: Wenn die Verbindungsschrauben nicht festgezogen sind, kann Feuchtigkeit ins Innere der Box eindringen.**

10. Richten Sie die Kamera im richtigen Winkel aus und ziehen Sie die Schrauben zum Verriegeln/Entriegeln mit dem Inbusschlüssel fest.
11. Nehmen Sie die Seitenabdeckung ab, um eine MicroSD-Karte einzuführen.
12. Nachdem alle Einstellungen gemacht wurden, bringen Sie die Abdeckung wieder an und ziehen Sie diese fest.
13. Setzen Sie das Sonnenschutzdach auf die Kameraeinheit auf und ziehen Sie die Bolzen für das Sonnenschutzdach fest.



Anpassung des Betrachtungswinkels mit einem Halter

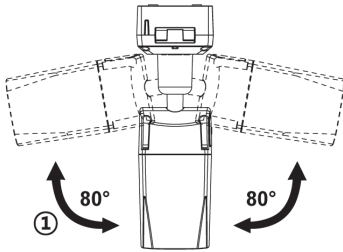


VORSICHT:

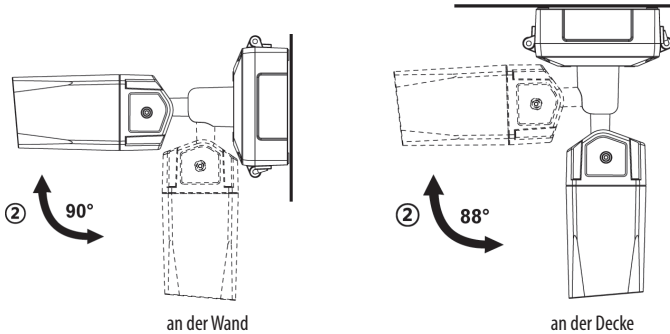
ACHTUNG: Achten Sie besonders darauf, das Fenster vor dem Objektiv NICHT zu verkratzen. Es muss sorgfältig darauf geachtet werden, das Kabel NICHT zu beschädigen, zu knicken oder Gefahrenbereichen auszusetzen. Setzen Sie die Kamera nie direkt einer starken Lichtquelle wie der Sonne oder einem Scheinwerfer aus.

Einstellung von Schwenkung und Neigung

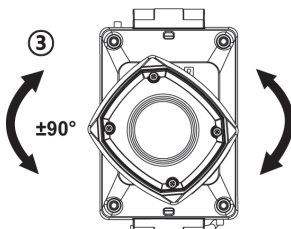
- Lösen Sie die Schraube am Kamerahalter mit dem mitgelieferten Inbusschlüssel.
 - Stellen Sie den Betrachtungswinkel der Kamera ein und ziehen Sie die Schraube am Halter fest.
1. Schwenkwinkel: Der Schwenkwinkel ist auf +/- 90° begrenzt.



2. Neigungswinkel: Die Neigung ist bei Wand- (bzw. Decken)-Installation auf min. 0°(2°) bis max. 90° begrenzt, wobei vorausgesetzt wird, dass die Neigung des Kameramoduls in Bezug auf die Wand (bzw. Decke) 0° ist, d.h., dass das Bild horizontal ausgerichtet ist.



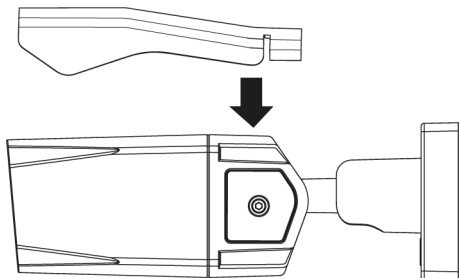
3. Drehwinkel (horizontale Bildausrichtung): Der Drehwinkel ist begrenzt auf max. +/-90°.



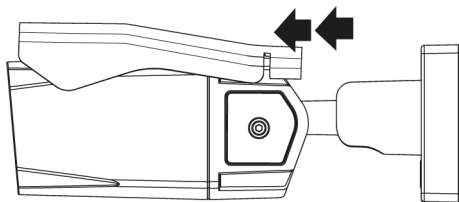
Montage des Sonnenschutzdaches

Wenn Sie alle Anpassungen vorgenommen haben, montieren Sie das Sonnenschutzdach wie in der Abbildung dargestellt an der Kameraeinheit.

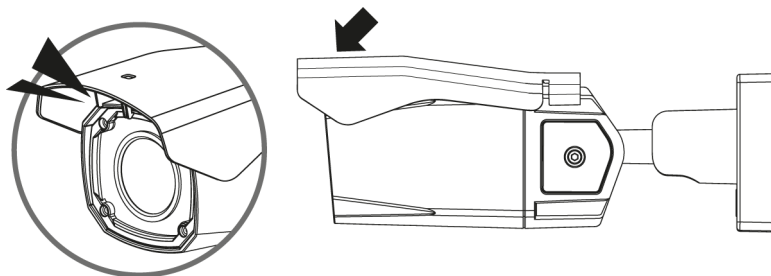
1. Setzen Sie das Sonnenschutzdach auf die Kameraeinheit.



2. Schieben Sie das Sonnenschutzdach gerade nach vorne.



3. Drücken Sie den vorderen Teil des Sonnenschutzdaches nach unten bis zum Einrasten. Vergewissern Sie sich, dass das Sonnenschutzdach an der Kamera befestigt ist.



Schnelle Netzwerkkonfiguration

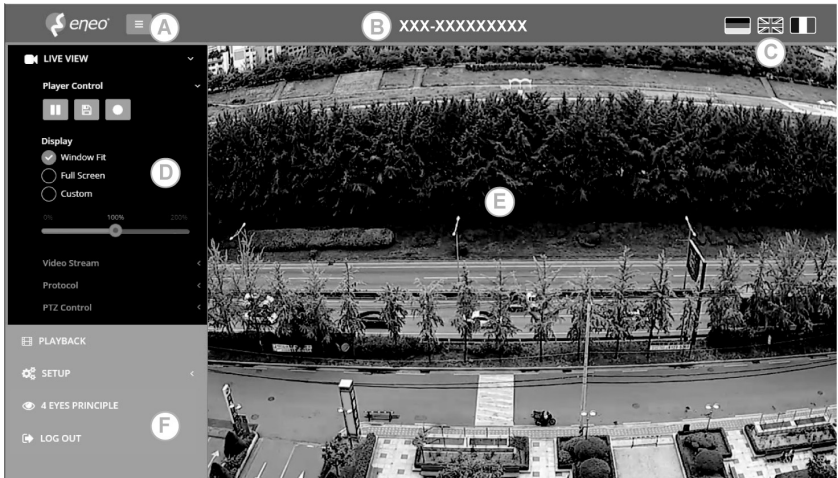
1. Nachdem die Kamera mit dem Netzwerk verbunden wurde, starten Sie das **'eneo Site Manager'** Tool (steht zum Herunterladen auf www.eneo-security.com bereit).
2. Sie erhalten eine Liste der im lokalen Netzwerk verfügbaren Kameras. Markieren Sie Ihre Kamera in der Liste und öffnen Sie ein Kontextmenü durch Klicken der rechten Maustaste.
3. Wählen Sie die Option "Set IP Address [dhcp / static]" um ein Fenster für die Kamera IP-Einstellungen zu erhalten. Wenn Sie fertig sind, klicken Sie den "OK" Button um die Kameraeinstellungen zu aktualisieren.
4. Die Kamera ist standardmäßig auf DHCP eingestellt. Wenn kein DHCP-Server im Netzwerk vorhanden ist, wird die Kamera nach einer gewissen Zeit auf eine Standard-IP-Adresse zurückgesetzt. In diesem Fall fügen Sie mehrere Kameras bitte nur nacheinander zum Netzwerk hinzu, um Konflikte aufgrund der identischen IP-Adressen zu vermeiden.
Die Standard-IP-Adresse der IP-Kamera ist: **192.168.1.10**.
5. Klicken Sie mit der rechten Maustaste auf den Gerätenamen im eneo Site Manager, um das Kontextmenü anzuzeigen. Wählen Sie die Option **'Open Device Web Site'** (Geräte-Webseite öffnen), um auf die Kamera zuzugreifen.
6. Die Login-Seite des Web-Viewers wird in Ihrem Standard-Webbrowser geöffnet. Bei Microsoft Internet Explorer installieren Sie die Active-X-Komponente namens VIDEOR E. Hartig GmbH entsprechend der Anweisungen am unteren Rand des Browsers.
7. Verwenden Sie den Standard-Benutzernamen und das Standard-Passwort zum Einloggen.

Standard-Benutzername: admin

Standard-Passwort: admin

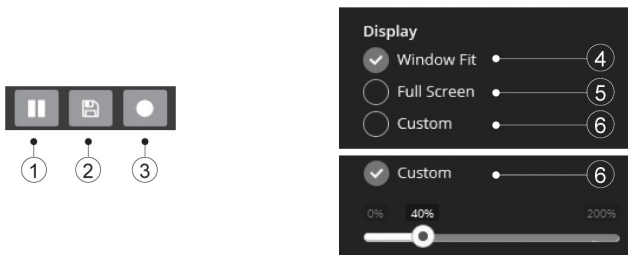


Beschreibung des Web-Viewers



- (A) Menütaste: Klicken Sie auf diese Taste zum Anzeigen oder Verbergen des Konfigurationsmenüs.
- (B) Modellname: Zeigt den Modellnamen der verbundenen Kamera an.
- (C) Sprache auswählen: Wählen Sie Englisch, Deutsch oder Französisch als Web-Viewer-Sprache.
- (D) Hauptkonfigurationsmenü: Zum Einstellen der Kamera- oder Netzwerk-Funktionen.
- (E) Kameraüberwachungsfenster: Zeigt das Video oder die Funktion der aktuell verbundenen Kamera an.
- (F) Abmelden und den Web-Viewer verlassen

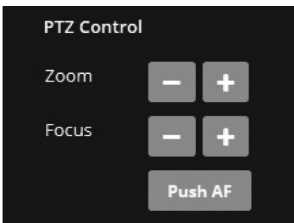
Player-Steuerung & Anzeige



- (1) Pause: Pausiert das Live-Bild.

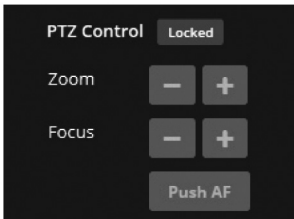
- (2) Schnappschuss: Erfasst das Bild im .jpg-Format in der aktuellen Auflösung des Streams.
- (3) Aufzeichnung: Aufzeichnung der Live-Ansicht mit der H.264-Kompression auf das installierte Speichermedium SD, SDHC oder SDXC von dem Video-Stream, der unter Menüpunkt AUFZEICHNUNG eingestellt wurde.
- (4) An Fenstergröße anpassen: Die Live-Ansicht wird an die Fenstergröße angepasst.
- (5) Vollbild: Passt die Darstellung von Live-Ansicht-Anzeige der Monitor-Auflösung an. ESC-TASTE: Kehrt zum vorherigen Menü zurück.
- (6) Benutzerdefiniert: Die Vergrößerungsskala (0% ~ 200%) der Live-Ansicht in der Steuerungsleiste wird verwendet. 100% ist die Standardeinstellung.

PTZ-Steuerung



- Zoom: Steuerung des optischen Zooms WIDE und TELE.
- Fokus: Manuelle Einstellung des Fokus für NAH und FERN.
- Push AF: Automatische Einstellung von Fokus auf Knopfdruck.

i Hinweis:



- ZOOM, FOKUS und PUSH AF sind deaktiviert, wenn die PTZ-Steuerung gesperrt ist.
- Die Freigabe der PTZ-Steuerung erfolgt über Setup (Konfiguration)>Video&Image (Video und Bild)>Image (Bild)>AF>Lens Locking (Objektivsperre) - OFF (AUS) oder TIMER.

**VORSICHT:**

- Wenn Sie die Konfiguration der ObjektivEinstellungen abgeschlossen haben, stellen Sie Setup (Konfiguration)>Video&Image (Video und Bild)>Image (Bild)>AF>Lens Locking (Objektivsperre) auf ON (EIN) oder TIMER, um die unerwünschten Verstellungen des Objektivs zu vermeiden.
- Richten Sie Zoom und Fokus nicht bei schlechten Lichtverhältnissen oder in der Nacht ein. Dies kann zu fehlerhafter Fokussierung führen.
- Bei den V/F-Modellen darf der Zoom/Fokus-Betrieb nur zu Installationszwecken verwendet werden. Das häufige Verstellen der Zoom-/Fokus-Einstellungen kann die Betriebsdauer des Objektivs verkürzen.

Übersicht des Konfigurationsmenüs

DE

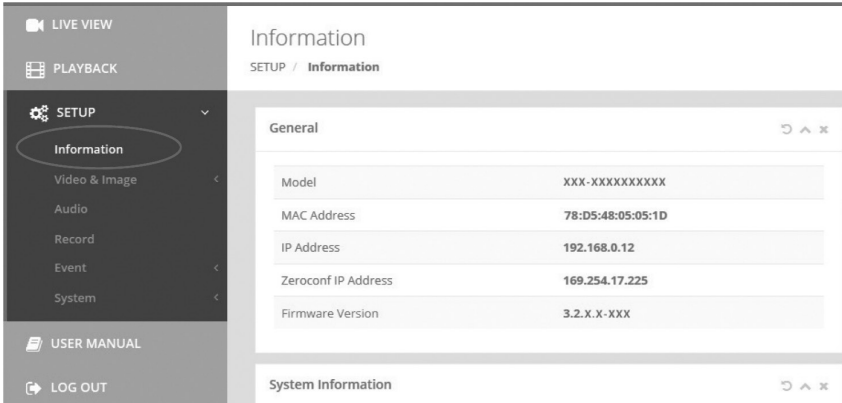
Kategorie	Menü	Konfiguration		
LIVE-ANSICHT	Player-Steuerung	Pause, Schnappschuss, Aufzeichnung		
		Anzeige: (An Fenstergröße anpassen, Vollbild, Benutzerdefiniert)		
	Video-Stream	Stream1, Stream2, Stream3		
	Protokoll	HTTPS, HTTP, TCP, UDP		
	PTZ-Steuerung	Zoom, Focus, Push AF		
Wiedergabe	Ereignissuche, Zeitleistensuche, Zeitleiste			
KONFIGURATION	Video und Bild	Information	Allgemein, Systeminformationen, Open Source Informationen	
		Bild	Quelle	
			Stream1/2/3	
			Smart Video Stream	ROI(Region Of Interest), Dynamic GOP
			Allgemein	Helligkeit, Kontrast, Sättigung, Farbton, Schärfe, Bildumkehr aktivieren, Bild spiegeln aktivieren
			Bildschirmmenü	Text einblenden, Datum/Zeit einblenden, Zoom/Fokus einblenden, Modus
			AE	Modus, langsamer Verschluss, Luminanzkompensation, Auto-Blende, Auto-Flimmerfrei, Verschluss, max. Verschluss, Verstärkung, max. Verstärkung
			AWB	Modus, R Gain, G Gain, B Gain
			AF	Modus, Geschwindigkeit, Objektiv-Sperre, Objektiv-Kalibrierung, Tag/Nacht Snc Fokus aktivieren, Objektiv Initialisierung beim Starten
			Tag & Nacht	Modus, Umschaltzeit, Schwellenwert (T -> N), Schwellenwert (N -> T), Schwellenwert (aktuell), Steuerung der IR-Beleuchtung
			WDR	WDR (Modus, Stufe), Defog (Modus, Stufe)
			BLC	BLC (Modus, Stufe), HLC (Modus, Stufe)
			DNR	3DNR (Modus, Stufe)
			LDC	Modus
		VerticalView	Modus, Rotation	
		Bereichsmaske	Farbe, Name	
		Digitaler Zoom	Stufe	

KONFIGURATION	Aufzeichnung	Aufzeichnung	Bei vollem Speicher überschreiben, Einstellungen für Daueraufnahme
		Zeitplan	
		Wiederverwendung	Zeiteinstellung für die Wiederverwendung
		Speicher	Formatieren, Entfernen, Speicherinformationen
	Ereignis	Auslöser	Bewegung, Manipulation, Alarmeingang, System, Manuell, Netzwerk, Timer, Tag-Nacht
		Aktionen	Aufnahme, Alarmausgang, E-Mail, FTP, Video Boost, Benachrichtigungsserver
		Regeln	Ereignisverarbeitung, ONVIF Mapping
	System	Sicherheit	Benutzer, HTTPS, IP-Filter, ONVIF, Video-Stream, Export/Import
		Datum/Uhrzeit	Aktuelle Uhrzeit, Neue Uhrzeit, Zeitzone, Datum & Uhrzeit anzeigen
		Netzwerk	TCP/IP, DDNS, RTP, UPnP, Zeroconf, Bonjour
		Sprache	Englisch, Deutsch, Französisch, Polnisch, Finnisch, Koreanisch
		Wartung	Wartung (Neustart, Zurücksetzen, Voreinstellung), Upgrade, Konfiguration exportieren, Konfiguration importieren
		Protokoll und Bericht	Protokolle (Datenbankkapazität, Suchbedingung, Protokollliste), Bericht
Vier-Augen-Prinzip	Bestätigung # 1/2		
AUSLOGGEN			

Schnellkonfiguration

Information

Zeigt allgemeine Informationen über das System an wie Modellname, MAC-Adresse, IP-Adresse, Zeroconf-IP-Adresse, Firmware-Version, Serverzeit, Betriebszeit, CPU-Auslastung, den ein- und ausgehenden Datenverkehr und die Open-Source-Liste.

DE


Information

SETUP / Information

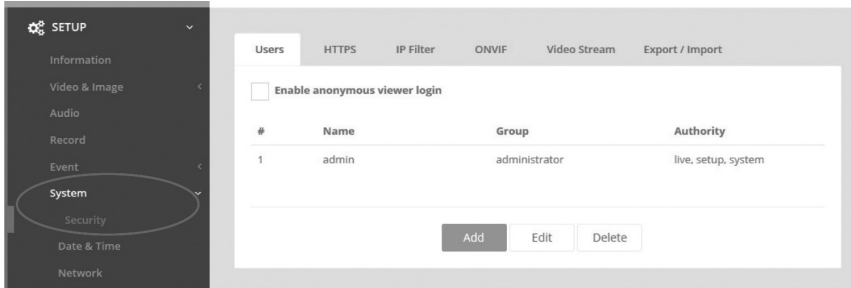
General	
Model	XXX-XXXXXXXXXX
MAC Address	78:D5:48:05:05:1D
IP Address	192.168.0.12
Zeroconf IP Address	169.254.17.225
Firmware Version	3.2.X.X-XXX

System Information

Benutzer

Verwaltung der Benutzerkonten nach Gruppen, Namen und Verantwortungsbereichen.

- Markieren Sie **ENABLE ANONYMOUS VIEWER LOGIN** (Anmeldung anonymer Benutzer erlauben), um anonymen Benutzern die Anmeldung an der Kamera zu gestatten. Der Zugriff auf das **SETUP**-Menü mit dem anonymen Login wird beendet und benötigt die Anmeldung mit ID und Passwort.
- > **BENUTZER**: Können hinzugefügt, bearbeitet oder gelöscht werden.

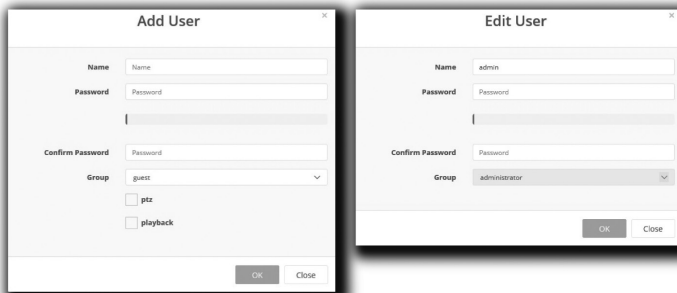


Klicken Sie auf die Schaltflächen Hinzufügen, Ändern oder Löschen, um die Benutzerkonten zu verwalten.

Hinzufügen

Zum Hinzufügen eines neuen Benutzers:

1. Klicken Sie auf Hinzufügen und geben Sie einen neuen Benutzernamen ein. (1 bis 14 alphanumerische Zeichen). Bei den Benutzernamen wird nicht zwischen Groß- und Kleinschreibung unterschieden.
2. Geben Sie ein Passwort ein und tippen Sie diesen anschließend zur Bestätigung erneut ein. (1 bis 8 alphanumerische Zeichen). Bei Passwörtern wird die Groß-/ Kleinschreibung berücksichtigt.
3. Wählen Sie eine der Gruppen, der Sie den Benutzer zuweisen möchten, sowie bestimmen Sie die Rechte für PTZ- und Wiedergabe-Steuerung.
4. Klicken Sie auf die Schaltfläche OK, um die Einstellungen zu speichern und den neuen Benutzer hinzuzufügen.



Bearbeiten

Zum Bearbeiten eines Benutzers:

1. Wählen Sie den Namen des Benutzers aus der Benutzerliste aus, den Sie bearbeiten möchten.
2. Klicken Sie auf die Registerkarte Bearbeiten, dann erscheint ein neues Popup-Fenster.
3. Geben Sie ein Passwort ein (1 bis 8 alphanumerische Zeichen) und tippen Sie diesen anschließend zur Bestätigung erneut ein. **Der Benutzername kann nicht geändert werden.**
4. Wählen Sie eine der Gruppen, der Sie den Benutzer zuweisen möchten.
5. Klicken Sie auf die Schaltfläche OK, um die geänderten Einstellungen des Benutzers zu speichern.

Löschen

Zum Entfernen eines Benutzers:

1. Wählen Sie den Namen des Benutzers aus der Benutzerliste aus, den Sie entfernen möchten.
2. Klicken Sie auf Löschen. In einem Dialogfeld werden Sie um Bestätigung gebeten.
3. Klicken Sie auf die Schaltfläche OK. Das Benutzerprofil wird aus der Benutzerliste entfernt.

Datum/Uhrzeit

Aktuelle Uhrzeit

Zeigt das aktuelle Datum und die aktuelle Uhrzeit an. Beim Klick auf SAVE (SPEICHERN) werden das Datum und die Uhrzeit aktualisiert und unter NEW TIME (NEUE ZEIT) gespeichert.

Neue Uhrzeit

Wählen Sie eine Server-Zeit aus.

- Synchronize with computer time (Synchronisation mit der Computerzeit): Stellt die Uhrzeit anhand der Zeit Ihres Computers ein.
- Set manually (Manuelle Einstellung): Stellt das Datum und die Uhrzeit manuell ein.

- Synchronize with NTP Server (Synchronisation mit NTP-Server): Stellt die Uhrzeit alle 60 Minuten anhand des zugewiesenen NTP-Servers ein. Die IP-Adresse oder der Host-Name des NTP-Servers wird im Zeitserver angegeben.

Zeitzone

Der ausgewählte NTP-Server soll mit der Zeitzone übereinstimmen, in der die Kamera installiert wurde. Markieren Sie das Kontrollkästchen AUTOMATICALLY ADJUST FOR DAYLIGHT SAVING CHANGES (Automatische Sommerzeitumschaltung), um die durch die Sommerzeit erforderlichen Umstellungen automatisch durchführen zu lassen.

Datum- & Uhrzeitanzeige

Wählen Sie das Datums&Zeitformat aus, die angezeigt werden sollen.

The screenshot displays the 'Date & Time' configuration page. A success message at the top states: 'Success This request has been performed without error'. The interface is divided into sections for 'Current Time' and 'New Time'. The 'Current Time' section shows 'Date' as 01-01-1970 and 'Time' as 23:57:25. The 'New Time' section offers three options: 'Synchronize with computer time' (checked), 'Set manually', and 'Synchronize with NTP server'. The 'Synchronize with NTP server' option is further configured with 'Server' set to 0.pool.ntp.org and 'Interval (Hour)' set to 12. A 'Time Zone' section is partially visible at the bottom. A 'Save' button is present in the top right corner of the configuration area.

Netzwerk

Wenn im Netzwerk ein DHCP-Server (Dynamic Host Configuration Protocol) vorhanden ist, weist dieser Netzwerkgeräten automatisch eine IP-Adresse zu.

IPv4-Adresse

DE

Obtain IP address via DHCP (IP-Adresse von DHCP-Server beziehen):

Ruft die IP-Adresse ab, die vom DHCP-Server (Dynamic Host Configuration-Protokoll) zugewiesen wurde.

Status:

'Allocated' zeigt an, dass die IP-Adresse vom DHCP bezogen wurde.

IP-Adresse, Subnetzmaske, Gateway:

Zeigt die aktuelle IP-Adresse an, die vom DHCP bezogen wurde.

Use the following IP address (Folgende IP-Adresse verwenden):

Markieren Sie das Optionsfeld nur, wenn Sie die IP-Adresse manuell einstellen wollen.

IPv6-Adresse

Markieren Sie das Kontrollkästchen ENABLE (AKTIVIEREN), um die IPv6-Adresse zu verwenden, und klicken Sie auf die Schaltfläche SAVE (SPEICHERN), anschließend wird eine neue IPv6-Adresse bezogen.

DNS

DNS-Adresse von DHCP-Server beziehen:

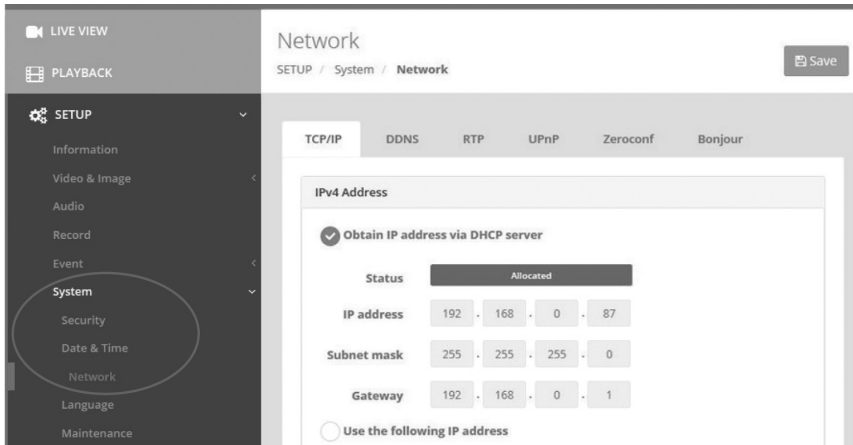
Bezieht die DNS-Adresse, die vom DHCP-Server automatisch zugewiesen wurde.

Folgende DNS-Adresse verwenden:

Benötigt manuelle Eingabe, siehe unten.

- DOMAIN NAME (DOMAINNAME): Geben Sie die Domain für den Hostnamen ein.

- PRIMARY DNS SERVER (Primärer DNS-Server): Geben Sie die IP-Adresse des primären DNS-Servers ein.
- SECONDARY DNS SERVER (Sekundärer DNS-Server): Geben Sie die IP-Adresse des sekundären DNS-Servers ein.



The screenshot shows the 'Network' configuration page in the 'SETUP' menu. The 'System' menu item is circled. The 'Network' configuration page shows the 'IPv4 Address' section with 'Obtain IP address via DHCP server' selected. The status is 'Allocated' and the IP address is 192.168.0.87, subnet mask is 255.255.255.0, and gateway is 192.168.0.1.

Status	Allocated			
IP address	192	168	0	87
Subnet mask	255	255	255	0
Gateway	192	168	0	1

Weitere Informationen

Bitte halten Sie die Firmware stets aktuell, damit Sie die neuesten Funktionen des Geräts nutzen können. Die aktuellsten Firmware-Versionen finden Sie auf unserer Website unter www.eneo-security.com.

Das Benutzerhandbuch und weitere Software-Tools sind auf der eneo Website unter www.eneo-security.com verfügbar.

Informationen zu kompatiblen Video Management Software-Lösungen finden Sie in der Kategorie **Software** unter www.eneo-security.com.

DE

OPEN SOURCE SOFTWARE LIZENZINFORMATION

Software, die mit eneo Produkten ausgeliefert wird, kann urheberrechtlich geschützte Softwarekomponenten enthalten, die unter verschiedenen Open-Source-Lizenzen stehen. Detaillierte Informationen über die enthaltenen Open-Source-Softwarepakete, die verwendeten Paketversionen, Lizenzinformationen und die vollständigen Lizenzbedingungen finden Sie

- in der Benutzeroberfläche Ihrer Produkte enthaltenen Open-Source-Informationen,
- auf den Produktdetailseiten auf der eneo Website (www.eneo-security.com),
- im eneo Downloadportal (<https://datacloud.videor.com/s/eneodownloadportal>). Für den Fall, dass der vorherige Link nicht mehr funktioniert, finden Sie den aktuellen Link zum eneo-Downloadportal auf jeder eneo Produktseite unter www.eneo-security.com.
- im Download-Paket Ihrer Firmware. Die vollständigen Open-Source-Software-Lizenzinformationen zu Ihrem Produkt sind im entsprechenden Downloadpaket enthalten, das Sie in unserem Downloadportal finden.

Sollte Ihnen eine Information fehlen, wenden Sie sich bitte an opensource@eneo-security.com, wir stellen Ihnen die fehlende Information natürlich gerne zur Verfügung und werden diese ebenfalls der Öffentlichkeit zugänglich machen.

Wenn Sie Zugang zu den in unseren Produkten verwendeten Open-Source-Komponenten (Quellcodes) erhalten möchten, wenden Sie sich bitte an opensource@eneo-security.com.



eneo® is a registered trademark of
VIDEOR E. Hartig GmbH
Exclusive distribution through specialised
trade channels only.

VIDEOR E. Hartig GmbH
Carl-Zeiss-Straße 8
63322 Rödermark/Germany
Tel. +49 (0) 6074 / 888-0
Fax +49 (0) 6074 / 888-100
www.videor.com
www.eneo-security.com

Technical changes reserved

© Copyright by VIDEOR E. Hartig GmbH
Version 12/2021