



EN

Quick Installation Guide

**Gigabit Switch managed, 350W,
Layer 3, 24xPoE, 4x SFP Gigabit,
Rack, Desktop**

IAR-7SE1024MMC

About Documents

This document is [Quick Installation Guide](#). It is intended for engineers or anyone who needs to install the product.

Announcement




The information in this document is subject to change without notice.

The document is only used as operation guide, except for other promises. No warranties of any kind, either express or implied are made in relation to the description, information or suggestion or any other contents of the manual.

The images shown here are indicative only. If there is inconsistency between the image and the actual product, the actual product shall govern.

Symbol Conventions

The symbols that may be found in this document are defined as follows.

Symbol	Description
 DANGER	Indicates a hazard with a high level of risk, which if not avoided, will result in death or serious injury.
 WARNING	Indicates a hazard with a medium or low level of risk, which if not avoided, could result in minor or moderate injury.
 CAUTION	Indicates a potentially hazardous situation, which if not avoided, could result in equipment damage, data loss, performance degradation, or unexpected results.

Content

1	Packing List	1
2	Product Introduction	2
	2.1 Overview	2
	2.2 Hardware Introduction	2
	2.2.1 24-Port Switch	2
	2.2.1 24-Port PoE Switch	4
3	Installations	6
	3.1 Safety Precaution	6
	3.2 Insatallation Steps	8
	3.2.1 Rack Mount	9
	3.2.2 Desktop Installation	10
	3.2.3 Wall Mount.....	10
	3.2.4 AC Power Cable Connection	10
4	Specifications	13

1 Packing List

Open the box of the product and carefully unpack it. The box should contain the following items. Please check before installation, if any missing, please contact your dealer immediately.

No.	Items	Quantity
1	Switch	1 pc
2	AC Power Cable	1 pc
3	Mounting Accessory	1 set
4	Quick Installation Guide	1 pc

2 Product Introduction

2.1 Overview

This series switch provide twenty-four Gigabit Ethernet RJ-45 ports and four 10G SFP uplink ports.

It has extensive L3 management functions and can be easily managed via a WEB GUI (<http/https>), CLI (telnet/ssh/console) or SNMP.

This series contains two types:

- L3 24-Port Gigabit +4-Port 10G SFP+ Managed Ethernet Switch (short for 24-Port Switch)
- L3 24-Port Gigabit +4-Port 10G SFP+ Managed PoE Switch (short for 24-Port PoE Switch).

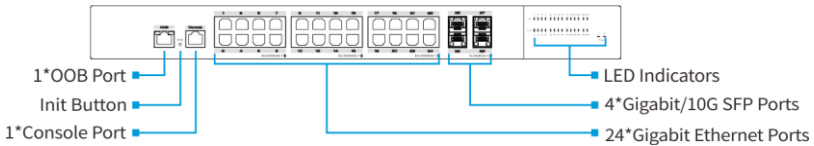
The 24-Port Switch does not support PoE function.

The 24-Port PoE Switch meets IEEE802.3af/at standard. All RJ-45 ports support Power-over-Ethernet (PoE+) and deliver up to 30W power per port. The total PoE power buget is up to 390W. The function can be configured via software.

2.2 Hardware Introduction

2.2.1 24-Port Switch

Front Panel



Rear Panel



Led Indicators Instructions

Indicators		Status	Descriptions
PWR1	Main Power Supply Indicator	On	The Main Power Supply is working.
		Off	The Main Power Supply is off.
PWR2	Redundant Power Supply Indicator	On	The Redundant Power Supply is working.
		Off	The Redundant Power Supply is off.
1~24 Downlink Port Link Indicator		On	The port is linking normally.
		Blink	The port is transmitting or receiving data.
		Off	The port links down.
25~28 Uplink Port Link Indicator		On	The port is linking normally.
		Blink	The port is transmitting or receiving data.
		Off	The port links down.

Console Port

The device contains a serial RS-232 interface as the console port for local management interface. For the console port, a standard RJ-45 connector is used. Use a RS-232 cable (Sub-D9 to RJ-45) to connect the console port with the COM port of a PC.

Default configuration:

Data	Default value
Transfer rate	115200 bit/s
Flow control mode	Not support
Test mode	Not support
Stop bits	1
Data bits	8

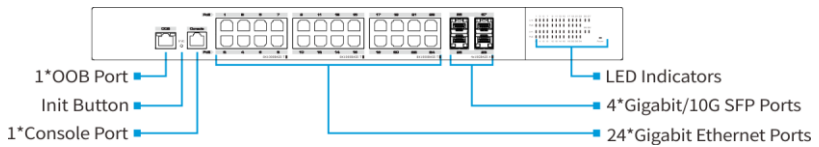
Init Button

The init button has two operating modes.

- By short pressing the button, the switch will be reset and the configuration is as previous setting saved.
- By pressing the button over 5s, the switch will be restored to the original factory default setting.

2.2.1 24-Port PoE Switch

Front Panel



Rear Panel



[Led Indicators Instructions](#)

Indicators		Status	Descriptions
PWR	Power Supply Indicator	On	The Main Power Supply is working.
		Off	The Main Power Supply is off.
1~24 Downlink Port Link Indicator		On	The port is linking normally.
		Blink	The port is transmitting or receiving data.
		Off	The port links down.
1~24 Downlink Port PoE Indicator		On	The port is supplying PoE power normally.
		Off	The port stops supplying PoE power.
25~28 Uplink Port Link Indicator		On	The port is linking normally.
		Blink	The port is transmitting or receiving data.
		Off	The port links down.

[Console Port](#)

The device contains a serial RS-232 interface as the console port for local management interface. For the console port, a standard RJ-45 connector is used. Use a RS-232 cable (Sub-D9 to RJ-45) to connect the console port with the COM port of a PC.

Default configuration:

Data	Default value
Transfer rate	115200 bit/s

Flow control mode	Not support
Test mode	Not support
Stop bits	1
Data bits	8

[Init Button](#)

The init button has two operating modes.

- By short pressing the button, the switch will be reset and the configuration is as previous setting saved.
- By pressing the button over 5s, the switch will be restored to the original factory default setting.

3 Installations

3.1 Safety Precaution

To minimize the technically residual risk, it is imperative to obey the following rules. Read all the instructions before operation.

The Caution, Warning and Danger items in other documents do not cover all the safety precautions that must be followed. They are only supplementary information.

When operating the device, obey the local safety regulations. The safety precautions provided in the documents are supplementary and shall be in compliance with the local safety regulations.

Operator

- Only qualified and skilled personnel must install, configure, and disassemble the device.
- Only the personnel authorized must operate the device.
- Any replacement or change to the device or parts of the device (including the software) must be done by qualified or authorized personnel.
- Any fault or error that might cause safety problems must be reported immediately to the person in charge.

Ground

For better protection performance, it is recommended as follows.

- Do not damage the ground conductor or operate the device in the absence of well installed ground conductor. Conduct the appropriate electrical inspection.
- When operating the unit, always make the ground connection first and disconnect it at the end.

Human Safety

- Do not operate the device or cables at lightning strikes.
- If the device is designed with optical port, do not look directly into the optical port to prevent the laser radiation from injuring your eyes.
- Do not wear jewelry or watches when you operate the device.

Equipment Safety

- Before operation, the device must be fixed securely on the floor or to other reliable objects, such as the desktop, the walls or the mounting racks.
- Do not block the ventilation while the device is running. Keep a minimum distance of 5 cm from the ventilation to the walls or the other objects that block the ventilation.
- Tighten the thumbscrews by using a tool after both initial installation and subsequent access to the panel.

Inflammable Environment



DANGER

Do not place the device in the environment that has inflammable and explosive air or fog. Do

not perform any operation in this environment.

Operating the electrical device in inflammable environment can be fatal.

Moisture proof



WARNING

Water or moisture in the equipment will damage the circuit of the equipment.

- The installation environment of the equipment must be strictly prohibited from water seepage, dripping, and condensation, otherwise it is necessary to install dehumidification equipment (such as air conditioners with dehumidification function, special dehumidifiers), etc.
- It is forbidden to operate the equipment under or near the water source, such as the sink, laundry room or other high humidity areas.
- It is forbidden to touch the device with wet hands.

Dust Proof

- Install the equipment far away from sand and dust sources, such as coal mines, rural roads, and farmland, etc.
- It is forbidden to operate the device in a dense dust environment.

Ventilation



WARNING

Operating equipment will release heat. Please ensure that the environment where the equipment is installed is well ventilated to ensure the equipment operating normally.

- It is strictly forbidden to install the equipment near heat sources, such as stoves, heaters, etc.
- Ensure that the equipment installation environment has good air flow.
- If the equipment is designed with heat dissipation holes, it is strictly prohibited to block the heat dissipation hole of the device.

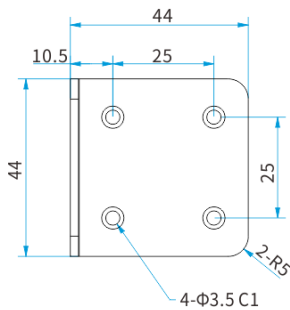
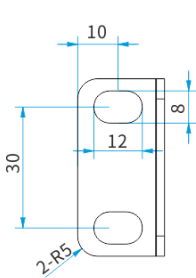
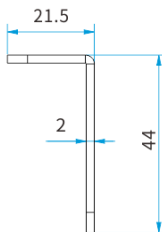
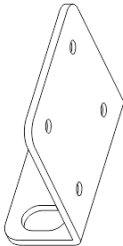
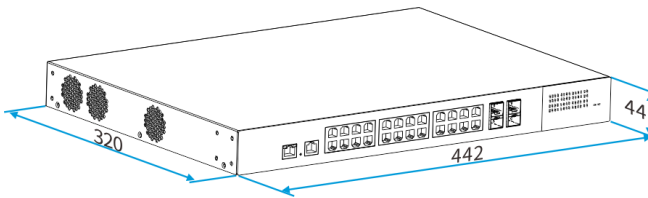
3.2 Insatallation Steps

This series switch supports 3 installation methods:

- Rack mount
- Desktop installation
- Wall mount

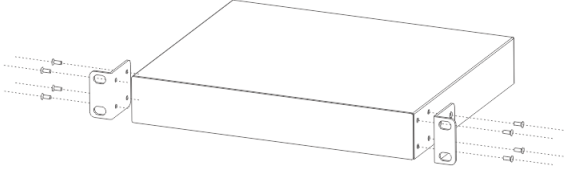


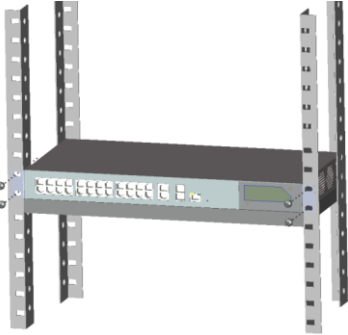

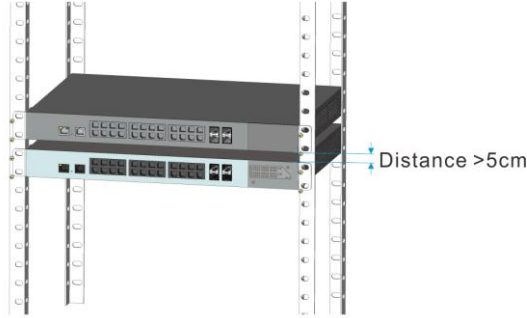
Following with the dimensions of the switch and its insatallation accessories. The two types are of the same dimensions. Here take 24-Port PoE Switch as example.

Dimensions (mm)



3.2.1 Rack Mount

This series switch supports 19" rack-mounted installation. Following with the installation steps.

Step 1: Fix the hangers on the side of the switch. 	Accessories  2*  8*
Step 2: Install the switch on the rack with screws in the package. 	Accessories  4*
Step 3: Continue to install other devices in the rack. The distance between the devices should be more than 5cm. 	Accessories N/A






3.2.2 Desktop Installation

This series switch supports desktop installation. Users can put this product on clean, stable, grounded workbench. The installation steps are as below:

- Carefully put the device upside down, clean the grooves on the chassis backplane with soft cloth to make sure there is no oil or dust in it.
- Remove the stickers on the foot pad, paste the foot pad in backplane groove.
- Carefully put the device upright on the workbench.

3.2.3 Wall Mount

This series switch supports wall-mounted installation. Users can put the switch on clean, steady vertical wall. Installation steps are as below:

Step 1: Fix the hangers to the switch. 	Accessories  2*  8*
Step 2: Drill 4 holes on the wall where device is installed, then drive the rubber plug into the hole. Drive these screws into the hole for the rack and fix the product by aiming at the rubber plug. 	Accessories  4*

3.2.4 AC Power Cable Connection

[24-Port Switch](#)

The switch is equipped with built-in dual power supply modules. Specifications of each power supply module are the same as below:

Items	Specifications
Power Input	
Input Voltage	AC 100~240V 50/60Hz
Input Current	2A max
Power Output	
Output Voltage	12V DC
Output Current	5A max
Power Consumption	60W (full load)

Connect the AC power cable to the switch through the power input interface. It is recommended to use the AC power cable provided in the package.

Connect the switch to AC power. Check if the power indicator turns on, which means the power is connected correctly.

24-Port PoE Switch

This series switch is equipped with one built-in power supply module.

Power supply module specifications:

Items	Specifications
Power Input	
Input Voltage	AC 100~240V 50/60Hz
Input Current	4.5A (full load with 100V AC input voltage)
Power Output 1	
Output Voltage	54.5V DC
Output Current	7.2A max
Power Consumption	390W (full load)
Power Output 2	
Output Voltage	12V DC
Output Current	5A max
Power Consumption	60W (full load)

Connect the AC power cable to the switch through the power input interface. It is recommended to use the AC power cable provided in the package.

Connect the switch to AC power. Check if the power indicator turns on, which means the power is connected correctly.



CAUTION

- For better transmission performance, it is recommended to use **Cat5** or better cables to connect the repeater and the equipment.
- For better protection performance, it is recommended always make the ground

connection first and disconnect it at the end when operating the unit.

- Power on the system only after confirming that the wiring is correct, to avoid damage to the equipment.
- Read the user manual carefully before operating or maintaining the repeater to avoid misoperation.

The installation steps are finished.

4 Specifications

Items	24-Port Switch	24-Port PoE Switch
Ethernet Ports		
Downlink Ports	24*10/100/1000Base-T RJ45 (Auto-MDI/MDI-X)	24*10/100/1000Base-T PoE RJ45 (Auto-MDI/MDI-X)
Uplink Ports	4*1000M/10G Base-X SFP(Mini-GBIC)	
Console Port	1*RJ45-R232 serial port (115200,8,N,1)	
PoE		
PoE Standard	N/A	IEEE 802.3af/at (PSE)
PoE Power Supply Type	N/A	End-span
PoE Pin Assignment	N/A	1/2(+), 3/6(-)
PoE Power Output	N/A	46~55V DC
PoE Power	N/A	30W for each port, 390W max
Switch Property		
Standards	IEEE 802.3, IEEE 802.3u, IEEE 802.3ab, IEEE 802.3z, IEEE 802.3x, IEEE 802.1Q, IEEE 802.1p, IEEE 802.3ad, IEEE 802.1D, IEEE 802.1x	
Forwarding Modes	Store and Forward	
Packet Buffer	12Mbit	
MAC Table	16k, supported auto learning	
Switching Capacity	128Gbps / non-blocking	
Packet Forwarding Rate	96Mpps	
Power Supply		
Input Voltage	Power 1:100~240V AC 50/60Hz Power 2:100~240V AC 50/60Hz	100~240VAC 50/60Hz
Power Consumption	<30W	450W (Including PoE)
Reliability		
Surge Immunity	6kV, Standard: IEC61000-4-5	
ESD	6kV Contact discharge, 8kV Air discharge Standard: IEC61000-4-2	
MTBF	310972h	295040h
MTBF Standards	Telcordia SR-332, 25°C	

Operating Temperature	-10~50°C	
Storage Temperature	-40~75°C	
Operating Humidity	5%~95% (Non-condensation)	
Physical Parameters		
Led Indicators	2*PWR Indicator 24*Downlink Port Link Indicator 4*Uplink Port Link Indicator	1*PWR Indicator 24*Downlink Port Link Indicator 24*Downlink Port PoE Indicator 4*Uplink Port Link Indicator
Init Button	Short press to restart Long press >5s to initialize the system	
Dimension(W*D*H)	442mm*320mm*44mm	
Gross Weight	1900g±20g	2010g±20g
Net Weight	1620g±20g	1730g±20g
Material	Aluminum	
Installation	Rack mounted/desktop/wall mounted installation	
Certifications		
Certifications	CE, FCC, RoHS	



eneo® is a registered trademark of
VIDEOR E. Hartig GmbH
Exclusive distribution through specialised
trade channels only.

VIDEOR E. Hartig GmbH
Carl-Zeiss-Straße 8
63322 Rödermark/Germany
Tel. +49 (0) 6074 / 888-0
Fax +49 (0) 6074 / 888-100
www.videor.com
www.eneo-security.com

Technical changes reserved

© Copyright by VIDEOR E. Hartig
GmbH Version 03/2021