



EN  
DE  
FR  
IT

# Quick Installation Guide

**1/2.8" Network Dome, Fixed,  
1920x1080, Day&Night,  
DOL-WDR, 2.7-12mm,  
Infrared, Indoor**

**IPD-62M2712P5A**

## Table of content

<b>Parts supplied</b> .....	<b>5</b>
<b>Part names</b> .....	<b>6</b>
<b>Installation instructions</b> .....	<b>7</b>
Installation Instructions .....	8
Pan & Tilt adjustments .....	8
Installation and commissioning Instructions.....	10
Power supply connections.....	10
<b>Quick Network Setup</b> .....	<b>11</b>
Web viewer description .....	12
Player control & Display .....	12
PTZ Control.....	13
Setup Menu Table .....	13
<b>Quick Setup</b> .....	<b>15</b>
Information .....	15
Users .....	15
Add .....	16
Edit.....	16
Delete.....	16
Date & Time .....	17
Current Time .....	17
New Time.....	17
Time Zone .....	17
Day & Time Display .....	17
Network .....	18
IPv4 Address .....	18
IPv6 Address .....	19
DNS .....	19
<b>Further information</b> .....	<b>20</b>

## Safety instructions

**EN**

### General safety instructions

- Before switching on and operating the system, first read this safety advice and the operating instructions.
- Keep the operating instructions in a safe place for later use.
- Installation, commissioning and maintenance of the system may only be carried out by authorised individuals and in accordance with the installation instructions - ensuring that all applicable standards and guidelines are followed.
- Protect the devices from water penetration and humidity, since these can cause lasting damage.
- Should moisture nevertheless enter the system, under no circumstance switch on the devices under these conditions, instead send them for examination to an authorised specialist workshop.
- The system must never be used outside of the technical specifications, since this can destroy it.
- The device must be protected from excesses of heat, dust, humidity and vibration.
- When separating the system from the voltage supply, only ever use the plug to pull out the cable. Never pull directly on the cable itself.
- Lay the connecting cables carefully and check that they are not mechanically stressed, kinked or damaged and that no humidity can penetrate into them.
- In the event of a malfunction, please inform your supplier.
- Maintenance and repairs may only be carried out by authorised specialist personnel.
- The system must be isolated from the power supply before opening the housing.
- The device may only be opened by qualified service personnel. Unauthorised access invalidates any warranty claim.
- Connection cables should always be exchanged through Videor E. Hartig GmbH.
- Use only original spare parts and accessories from Videor E. Hartig GmbH.
- The housing should only be cleaned using a mild domestic cleaning agent. Never use solvents or petrol as these can permanently damage the surface.
- During installation, it is essential to ensure that the seals provided are correctly installed and that they are not displaced during installation. Damaged seals must not be installed and will invalidate any warranty.
- The installer is responsible for the maintenance of the enclosure as per the technical data, e.g. by sealing the cable outlets with silicone.
- Wire end ferrules should be used when shortening the flexible connection cables.
- The devices may only be operated in the temperature range indicated in the data sheet and within the defined air humidity range.

### Product - Specific Safety Instructions

- The camera may never be pointed directly at the Sun with the aperture open (this will destroy the sensor).
- It is unavoidable that during manufacture and to a certain extent during later use, humidity will be present in the ambient air within the device's housing. In the event of large temperature fluctuations, this humidity may condense inside the housing.
- To avoid this condensation inside the very tightly sealed housing, the manufacturer has inserted silica gel sachets in the housing of the various camera types.
- It is however a physical given, that these silica gel bags will reach saturation after a certain amount of time. They should therefore be replaced with new silica gel sachets.
- During installation, it is essential to ensure that the seals provided are correctly installed and that they are not displaced during installation. Damaged seals must not be installed and will invalidate any warranty.
- A multipolar, easily accessible isolation device should be installed in the proximity of the IR Spotlight, in order to disconnect the device from the power supply for service work.
- The earth connection must be made according to the low impedance requirement of DIN VDE 0100.
- Subsequent painting of the equipment surface can impair the function.
- Any warranty claim is invalidated by subsequent painting.
- A safety margin of > 1m from the spotlight must be maintained when viewing directly into the IR Spotlight in a darkened environment.
- Do not look directly at invisible LED radiation using optical instruments (e.g. a reading glass, magnifying glass or microscope), since this can endanger the eyes, LED Class 1M.
- Operation of the IR spotlight with a defective cover or during repair is prohibited.

- Please ensure that you only clean the bubble of the dome camera with specially designed microfiber cloths. Failure to do so may damage the bubble and reduce video quality!

### **Class A device note**

This is a Class A device. This device can cause malfunctions in the living area; in such an event, the operator may need to take appropriate measures to compensate for these.

### **WEEE (Waste Electrical & Electronic Equipment)**

Correct Disposal of This Product (Applicable in the European Union and other European countries with separate collection systems).



This marking shown on the product or its literature, indicates that it should not be disposed with other household wastes at the end of its working life. To prevent possible harm to the environment or human health from uncontrolled waste disposal, please separate this from other types of wastes and recycle it responsibly to promote the sustainable reuse of material resources. Household users should contact either the retailer where they purchased this product, or their local government office, for details of where and how they can take this item for environmentally safe recycling. Business users should contact their supplier and check the terms and conditions of the purchase contract. This product should not be mixed with other commercial wastes for disposal.

## **Graphical symbols**

Please pay attention to the safety instructions, and carefully read through this instruction guide before initial operation.



Important points of warning are marked with a caution symbol.

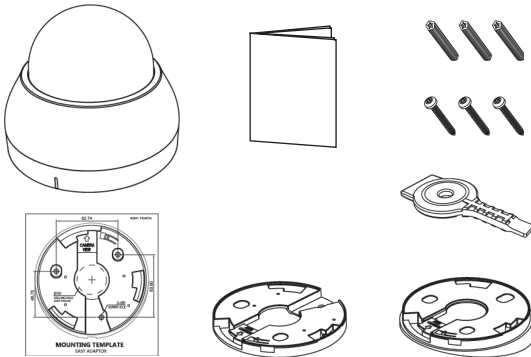


Important points of advice are marked with a notice symbol.

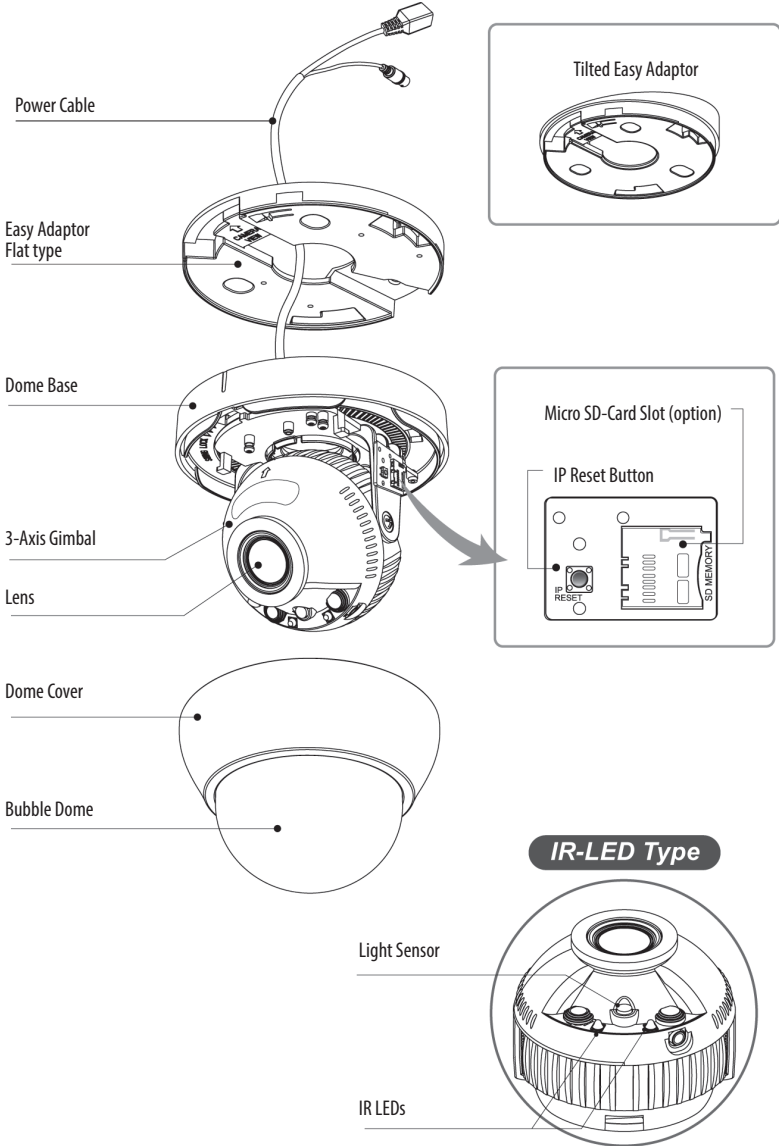
## Parts supplied

- Dome Camera
- Operating Instruction
- Mounting Template
- Plastic Anchor: 6 x 30 mm (3x)
- Mounting Screw: 3,5 x 25mm (3x)
- Open Driver
- Easy Adaptor
- Tilted Adaptor

EN



## Part names



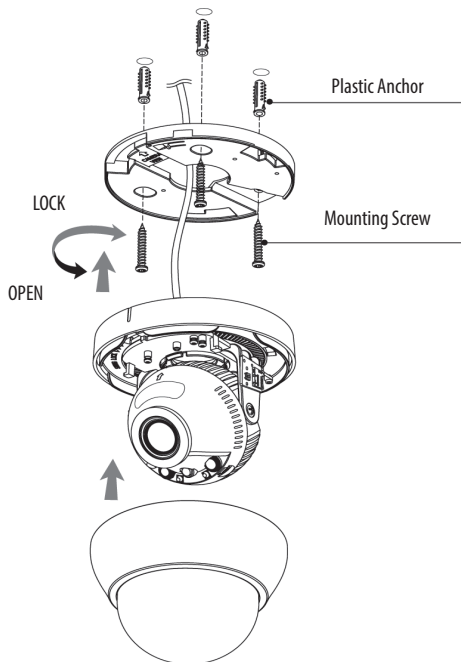
## Installation instructions



**CAUTION:** The camera's base should be attached to a structural object, such as concrete, hard wood, wall stud or ceiling rafter that supports the weight of the camera. If necessary use appropriate mounting material (e.g. anchors) instead of the material enclosed with the camera.

EN

1. Drill three holes for mounting on the ceiling or wall.
2. Attach the Easy Adaptors at the pre-drilled installation position and fix it by using mounting screws.
3. Route the power cable to the connecting place.
4. Place the dome base assembly to the Easy Adaptor.
5. Adjust the camera's viewing angle (Pan, Tilt, Rotation)
6. Tighten the set screw to fix a pan plate after the setting.
7. Assemble the dome cover to the dome base unit.



### Optional mounting accessories

For information on optional mounting accessories please visit the eneo website at [www.eneo-security.com](http://www.eneo-security.com).

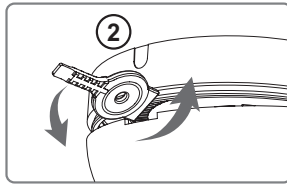
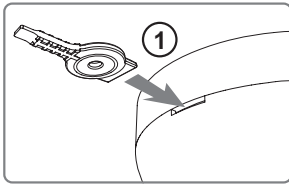


**CAUTION:** In the case of installation with Flush/ Surface/ Tilted mount, IP protection rating is not guaranteed. If power/video connectors are exposed to water or rain, separate protection shield is essential.

## Installation Instructions

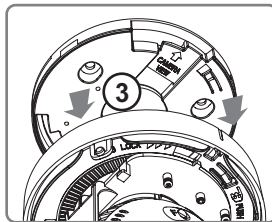
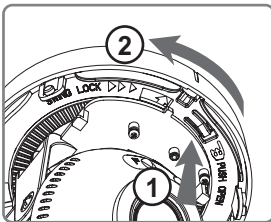
### Open the dome cover

1. Insert wide side of the Open Tool into the lock of the dome cover.
2. Hold the dome housing with one hand and turn the Open Tool until the dome cover is sufficiently open.
3. Once the dome base and the dome cover are detached, press the edge of the dome cover and pull it down with hands.



### Detach the dome camera from the Easy Adaptor

Push the hook on the dome base and turn the dome base counter-clockwise. Then detach the dome camera from the installed Easy Adaptor.

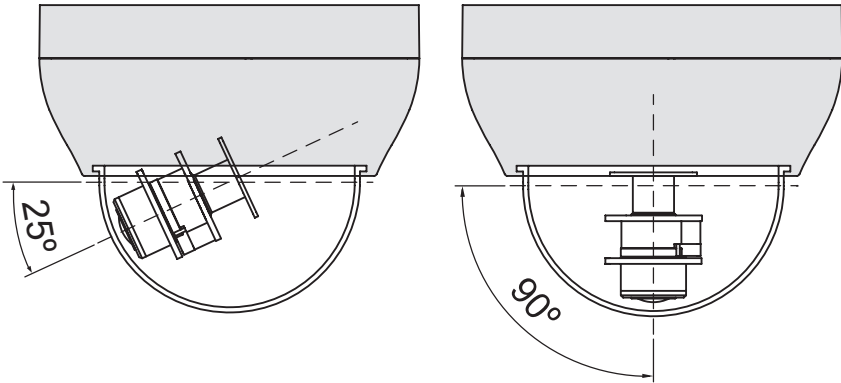


## Pan & Tilt adjustments

1. Pan limit: Pan is limited to +/- 165°. Do NOT force to rotate the gimbal over the limit to prevent from the internal damage.
2. Tilt limit: Tilt is limited to 25° min ~ 90° max. with reference to the ceiling when the inclination of camera module is 0°, that is, the image is aligned horizontally.



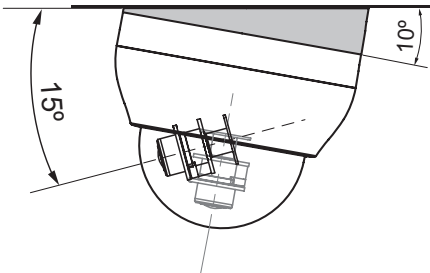
3. Inclination limit (Horizontal image alignment): Inclination limited to +/- 60° max.



EN

**Extended viewing angle**

Tilted Easy Adaptor (Option)



**CAUTION (LED type only):**

Be careful the IR LEDs when you control the 3-Axis gimbal.

Remove the sticker after adjustments..



**CAUTION:**

Be careful with the cable twisting during pan or tilt adjustments.

Extreme care should be taken NOT to scratch the bubble dome surface while the camera installing or adjusting.

Care should be taken the cable is NOT to be damaged, kinked or exposed in the hazardous area.

Do not expose the camera directly to a strong light source such as the sun or spot light.

**Installation and commissioning Instructions**

1. Make sure the power is removed before the installation.
2. After all connections are finished properly, follow the order for applying power.
  - Plug the network cable into RJ-45 Ethernet Port.  
If PoE is the unique power, there will be no need to connect Power terminal.
  - When DC12V Local power is necessary, connect the low voltage (DC12V) first, then plug the DC adapter to DC outlets to avoid an improper reset from power jitter and a damage from the surge voltage when no load.

When PoE and Local DC power are connected at the same time, Local power has priority.

**Power supply connections**

Camera can work with either DC12V or PoE(IEEE Std. 802.3af). Primary and secondary grounds are completely isolated to avoid the possible ground loop problems.

## Quick Network Setup

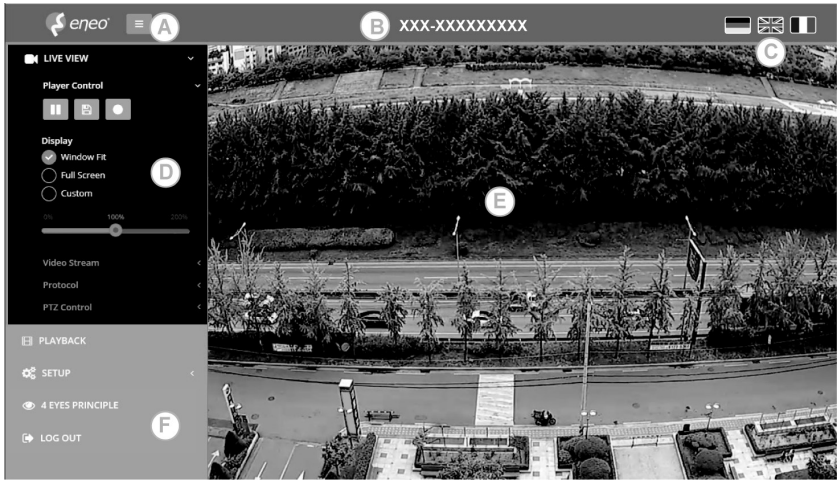
1. After the camera is connected to the network, start '**eneo Site Manager**' tool (downloadable from [www.eneo-security.com](http://www.eneo-security.com)).
2. You will get a list of cameras connected to the local network. Highlight your camera in the list and open a context menu with a click of the right mouse button.
3. Select the „Set IP Address [dhcp / static]“ option to open a window for setting the cameras IP properties. When you are done click the „OK“ button to update the camera settings.
4. By default the camera is set to DHCP. If there is no DHCP server present in the network the camera will fall back to a default IP address after a while. In this scenario please only add one camera at a time to the network to avoid conflicts due to identical IP addresses.  
The network camera's default IP address is: **192.168.1.10**.
5. Right clicking the device name in the eneo Site Manager will bring up the context menu. Use the '**Open Device Web Site**' option to access the camera.
6. The web viewer login page will open up in your default web browser.  
In case of Microsoft Internet Explorer install Active-X named VIDEOR E. Hartig GmbH according to the instruction at the bottom of the browser.
7. Use the default user name and password to log in.

Default user name: admin

Default password: admin

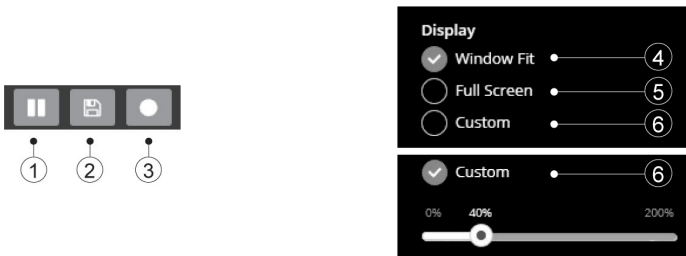


## Web viewer description



- (A) Menu button : Click the button to show or hide the setup menu bar.
- (B) Model name : Show a camera model name connected.
- (C) Select Language : Set the web viewer language English, Deutsch or French.
- (D) Main setup menu bar : Set the camera or network functions.
- (E) Camera monitoring window: Display the currently connected camera view or function.
- (F) Log out and exit the web viewer

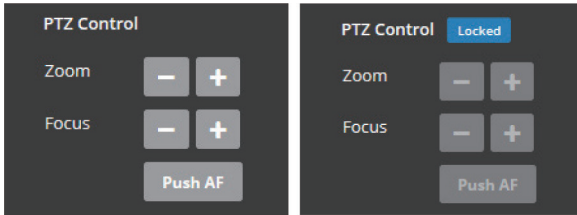
## Player control & Display



- (1) Pause: Pauses the live view.
- (2) Snapshot: Captures the image in .jpg format with the current stream resolution.
- (3) Record : Records the live video in H.264 format into the equipped storage memory like SD, SDHC & SDXC with the selected video stream at the RECORD menu.

- (4) Window Fit : Resizes the live view display to fit along with the display window size.
- (5) Full Screen: Resizes the live view display to fit to the monitor resolution. ESC key returns to the previous view.
- (6) Custom: Selects the live view display scale, 0%~200%, by the control bar. 100% is the original size.

### PTZ Control



**ZOOM** : Controls the lens optical zoom in/out for WIDE & TELE.

**FOCUS** : Adjusts the lens focus manually for NEAR & FAR.

**PUSH AF** : Gets the lens to focus at the push of a button.

**i** **ZOOM, FOCUS & PUSH AF** are disabled when PTZ control is locked. PTZ control can be unlocked at Setup>Video&Image>Image>AF>Lens Locking to OFF or TIMER.



**CAUTION:** Set LENS LOCKING at Setup>Video&Image>Image>AF>Lens Locking to ON or TIMER after completing lens setting to prevent unwanted lens operation.

Do not adjust zoom/focus in low light conditions or night mode. It might cause erroneous focusing.

For Motorized V/F versions, Zoom/Focus operation is strongly recommended for installation purpose only. Frequent zoom/focus adjustments can reduce the life span of the lens.

### Setup Menu Table

Category	Menu	Configuration
LIVE VIEW	Player Control	Pause, Snapshot, Record
		Display (Window Fit, Full Screen, Custom)
	Video Stream	Stream1, Stream2, Stream3
	Protocol	HTTPS, HTTP, TCP, UDP
	PTZ Control	Zoom, Focus, Push AF

PLAYBACK	Event Search, Timeline Search, Timeline Bar			
SETUP	Information	General, System Information, Open source Information		
	Video & Image	Image	Source	
			Stream 1/2/3	
			Smart Video Stream	ROI(Region Of Interest), Dynamic GOP
			Basic	Brightness, Contrast, Saturation, Hue, Sharpness, Enable flip image, Enable mirror image
			OSD	Enable text OSD, Enable date&time OSD, Enable zoom&focus OSD, Mode
			AE	Mode, Slow shutter, Luminance compensation, Auto Iris, Auto Flickerless, Shutter, Max. Shutter, Gain, Max. Gain
			AWB	Mode, RGain, GrGain, GbGain, BGain
			AF	Mode, Speed, Lens Locking, Locking Timer, Lens Calibration, Enable Day& Night sync focus, Lens initialize on boot
			Day&Night	Mode, Switching time, Threshold (D->N), Threshold (N->D)
			WDR	WDR(Mode, Level), DWDR(Mode, Level), Defog(Mode, Level)
			BLC	BLC(Mode, Level), HLC(Mode)
			DNR	3DNR(Mode, Level)
			LDC	Mode, Level
			VerticalView	Mode, Rotation
			Privacy Mask	Color, Name
	Digital Zoom	Level		
DIS				
SETUP	Record	Record	Overwrite when storage is full, Continuous record setting	
		Schedule		
		Recycling	Recycling Time Setting	
		Storage	Format, Remove, Storage Information	
	Event	Triggers	Motion, VCA, System, Manual, Network, Timer, Day/Night	
		Actions	Record, E-Mail, FTP, Video Boost, Notification Server	
		Rules	Event Processing, ONVIF Mapping	
	System	Security	User, HTTPS, IP Filter, ONVIF, Video Stream, Export/Import	
		Date & Time	Current Time, New Time, Time Zone, Date & Time Display	
		Network	TCP/IP, DDNS, RTP, UPnP, Zeroconf, Bonjour	
		Language	English, German, French, Korean	
Maintenance		Maintain (Restart, Reset, Default), Upgrade, Setup Export, Setup Import		
Log & Report		Logs (Database Capacity, Search Condition, Log List), Log Sever, Report		
4 EYES PRINCIPLE	Approval #1/2			
LOG OUT				

## Quick Setup

### Information

Shows the overall information about the system such as Model name, MAC address, IP address, Zeroconf, IP address, Hardware version, Firmware version, Server time, Running time, CPU usage, Inbound/Outbound Bandwidth and Open source list.

EN

The screenshot shows the 'Information' page. The left sidebar has a 'SETUP' menu with 'Information' highlighted. The main content area is titled 'Information' and shows the following details:

General	
Model	XXX-XXXXXXXXXX
MAC Address	78:C2:C0:21:9E:85
IP Address	192.168.0.19
Zeroconf IP Address	169.254.213.228
Hardware Version	XX
Firmware Version	X.X.X.XXX

### Users

Manages the user accounts by names, groups and authorities.

USERS : Can be added, edited or deleted.

The screenshot shows the 'Security' page. The left sidebar has a 'System' menu with 'Security' highlighted. The main content area is titled 'Security' and shows a table of users:

#	Name	Group	Authority
1	admin	administrator	live, setup, system

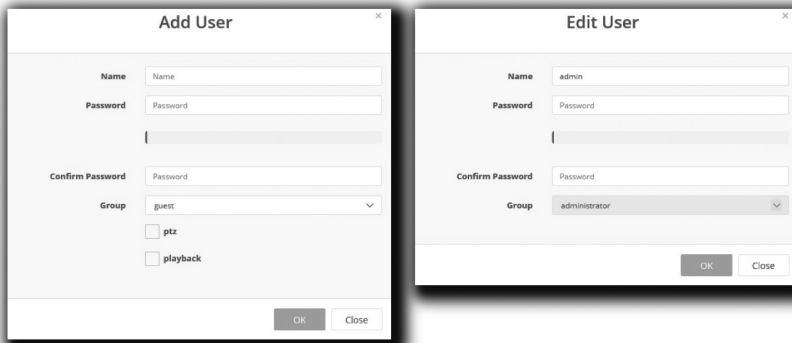
Buttons for 'Add', 'Edit', and 'Delete' are located below the table.

Click the Add, Edit, or Delete button for managing user account.

## Add

To add a new user:

1. Click the Add tab, and type a new user name. (1 to 14 alphanumeric characters). User names are not case sensitive.
2. Type a password and retype confirm password. (1 to 8 alphanumeric characters). Passwords are case sensitive.
3. Select one of the groups you wish to assign to the user and authority for PTZ and Playback.
4. Click the OK button to save the settings and add a new user.



The image shows two side-by-side screenshots of user management windows. The left window is titled 'Add User' and contains fields for Name, Password, Confirm Password, and a Group dropdown menu. The Group dropdown is set to 'guest', and there are checkboxes for 'ptz' and 'playback'. The right window is titled 'Edit User' and contains fields for Name (set to 'admin'), Password, Confirm Password, and a Group dropdown menu (set to 'administrator'). Both windows have 'OK' and 'Close' buttons at the bottom right.

## Edit

To edit a user:

1. Select one of the User Names in the User List you want to modify.
2. Click the Edit tab, then new pop-up window appears.
3. Type a password (1 to 8 alphanumeric characters) and retype confirm password.  
**The user name can't be modified.**
4. Select one of the groups you wish to assign to the user.
5. Click the OK button to save the settings and modify a user.

## Delete

To delete a user:

1. Select one of the User Names in the User List you want to remove.



2. Click the Delete tab. A dialog box appears with confirmation message.
3. Click the OK button. The user profile is removed from the User List profile.

## Date & Time

EN

### Current Time

Shows the current date and time. Clicking SAVE tap updates and saves the date and time with the selected time in NEW TIME.

### New Time

Select one of the following server times.

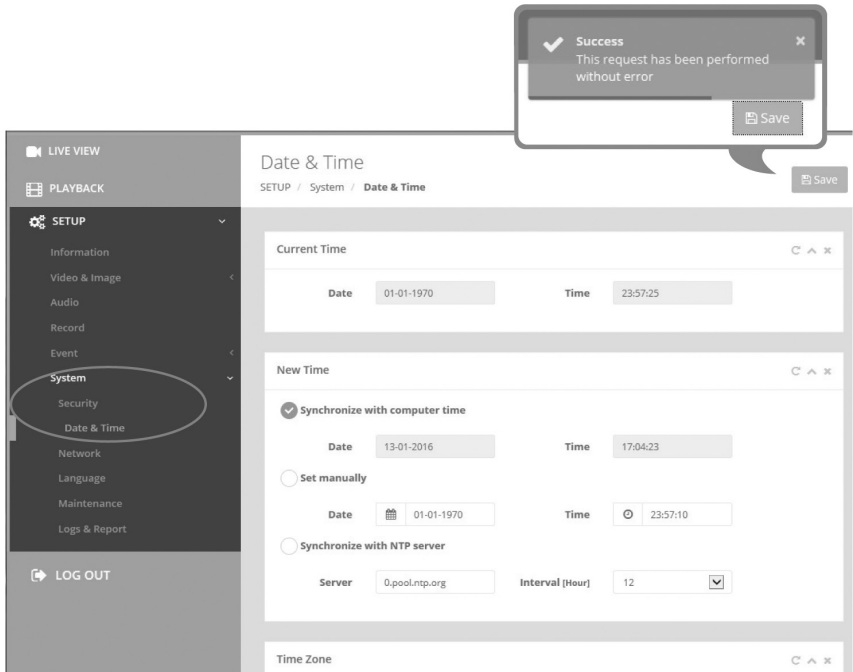
- Synchronize with computer time: Obtains the time from the computer.
- Set manually: Sets the date and time manually.
- Synchronize with NTP Server: Obtains the time from the assigned NTP server at every hour in INTERVAL. The NTP server's IP address or host name has to be specified in the time server.

### Time Zone

Select the time zone to be referenced to the NTP server where the camera is installed. Mark AUTOMATICALLY ADJUST FOR DAYLIGHT SAVING CHANGES check box to update the time automatically with daylight savings.

### Day & Time Display

Select the date & time formats to be displayed.



## Network

The DHCP (Dynamic Host Configuration Protocol) server has a feature that automatically assigns an IP address to the device if there is a device on the network.

## IPv4 Address

### Obtain IP address via DHCP :

Gets the IP address assigned by the DHCP (Dynamic Host Configuration Protocol) server.

### Status:

'Allocated' shows that the IP address is obtained from the DHCP.

### IP address, Subnet mask, Gateway:

Displays the current IP address which is obtained from the DHCP

### Use the following IP address:

Select the choice box if you want to assign the IP address manually.

#### IPv6 Address

Mark ENABLE check box to use IPv6 address and click SAVE button, then new IPv6 address will be obtained.

#### DNS

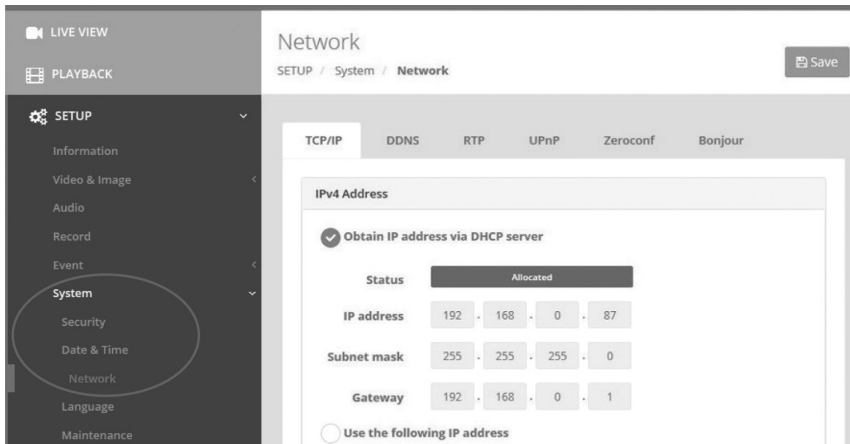
### Obtain DNS address via DHCP :

Obtains the DNS address automatically assigned by DHCP server.

### Use the following DNS address :

Requires manual input as per below.

- DOMAIN NAME : Enter the domain for the host name
- PRIMARY DNS SERVER : Enter the IP address of the primary DNS server.
- SECONDARY DNS SERVER : Enter the IP address of the secondary DNS server.



The screenshot shows the 'Network' configuration page in a web interface. The left sidebar contains a 'SETUP' menu with 'System' selected and circled. The main content area is titled 'Network' and has a breadcrumb trail 'SETUP / System / Network'. A 'Save' button is visible in the top right. Under the 'TCP/IP' tab, the 'IPv4 Address' section is active. It shows a checked radio button for 'Obtain IP address via DHCP server'. The status is 'Allocated'. The IP address is 192.168.0.87, the subnet mask is 255.255.255.0, and the gateway is 192.168.0.1. There is also an unchecked radio button for 'Use the following IP address'.

## Further information

Make sure to always upgrade to the latest firmware version available from the eneo website at [www.eneo-security.com](http://www.eneo-security.com) to receive the latest functionality for your product.

The manual, and other software tools are available on the eneo website at [www.eneo-security.com](http://www.eneo-security.com).

Information on compatible video management software solutions can be found in the category **Software** at [www.eneo-security.com](http://www.eneo-security.com).

### OPEN SOURCE SOFTWARE LICENSE INFORMATION

The software components provided with eneo products may contain copyrighted software that is licensed under various open source software licenses. For detailed information about the contained open source software packages, the used package versions, license information and complete license terms, please refer to...

- the open source information included in your products user interface,
- the product detail pages on the eneo website ([www.eneo-security.com](http://www.eneo-security.com)),
- the eneo download portal (<https://datacloud.videor.com/s/eneodownloadportal>). In case that previous link is broken, the latest link to the eneo download portal can be found on the respective eneo product page at [www.eneo-security.com](http://www.eneo-security.com).
- the download package of your firmware. The complete open source software license information of your product is included in the corresponding software download package that can be found in our download portal.

If you are missing any information, please contact [opensource@eneo-security.com](mailto:opensource@eneo-security.com), we will of course be happy to provide you with the missing information and will also make the missing information available to the public.

If you want to get access to the open source components (source codes) used in our products, please contact [opensource@eneo-security.com](mailto:opensource@eneo-security.com).

# Inhalt

<b>Lieferumfang .....</b>	<b>24</b>
<b>Gerätekomponenten.....</b>	<b>25</b>
<b>Installationsanweisungen .....</b>	<b>26</b>
Installationsanweisungen .....	27
Einstellung von Schwenkung und Neigung.....	28
Montage- und Inbetriebnahmeanleitung.....	29
Stromversorgungsanschlüsse.....	30
<b>Schnelle Netzwerkkonfiguration .....</b>	<b>31</b>
Beschreibung des Web-Viewers.....	32
Player-Steuerung & Anzeige .....	32
PTZ-Steuerung .....	33
Übersicht des Konfigurationsmenüs.....	34
<b>Schnellkonfiguration .....</b>	<b>36</b>
Information.....	36
Benutzer.....	36
Hinzufügen.....	37
Bearbeiten .....	37
Löschen.....	38
Datum/Uhrzeit .....	38
Aktuelle Uhrzeit .....	38
Neue Uhrzeit .....	38
Zeitzone.....	38
Datum- & Uhrzeitanzeige.....	39
Netzwerk .....	39
IPv4-Adresse.....	40
IPv6-Adresse.....	40
DNS .....	40
<b>Weitere Informationen.....</b>	<b>42</b>

## Sicherheitsanweisungen

### Sicherheitshinweise allgemein

- Bevor Sie das System anschließen und in Betrieb nehmen, lesen Sie zuerst diese Sicherheitshinweise und die Betriebsanleitung.
- Bewahren Sie die Betriebsanleitung sorgfältig zur späteren Verwendung auf.
- Montage, Inbetriebnahme und Wartung des Systems darf nur durch dafür autorisierte Personen vorgenommen und entsprechend den Installationsanweisungen - unter Beachtung aller mitgeltenden Normen und Richtlinien - durchgeführt werden.
- Die Geräte gegen Eindringen von Wasser und Feuchtigkeit schützen, dies kann zu dauerhaften Schäden führen.
- Sollte dennoch Feuchtigkeit eingedrungen sein, die Geräte nie unter diesen Bedingungen einschalten, sondern zur Überprüfung an eine autorisierte Fachwerkstatt geben.
- Das System darf nie außerhalb der technischen Daten benutzt werden, da es zerstört werden kann.
- Das Gerät ist vor großer Hitze, Staub, Feuchtigkeit und Vibrationseinwirkung zu schützen.
- Um das System von der Versorgungsspannung zu trennen, ziehen Sie das Kabel nur am Stecker heraus. Ziehen Sie nie direkt am Kabel.
- Verlegen Sie die Verbindungskabel sorgfältig und stellen Sie sicher, dass die Kabel nicht mechanisch beansprucht, geknickt oder beschädigt werden und keine Feuchtigkeit eindringen kann.
- Falls Funktionsstörungen auftreten, benachrichtigen Sie bitte Ihren Lieferanten.
- Wartung und Reparaturen dürfen nur von autorisiertem Fachpersonal ausgeführt werden.
- Vor Öffnen des Gehäuses ist eine Netztrennung erforderlich.
- Das Gerät darf nur von qualifiziertem Servicepersonal geöffnet werden. Fremdeingriffe beenden jeden Garantieanspruch.
- Anschlusskabel sollten immer nur durch VIDEOR E. Hartig GmbH ausgetauscht werden.
- Verwenden Sie nur Originalersatzteile und Original-Zubehör von VIDEOR E. Hartig GmbH.
- Zur Reinigung der Gehäuse immer nur ein mildes Haushaltsmittel verwenden. Niemals Verdüner oder Benzin benutzen, dies kann die Oberfläche dauerhaft schädigen.
- Bei der Montage muss grundsätzlich darauf geachtet werden, dass vorhandene Dichtungen ordnungsgemäß eingesetzt und bei der Montage nicht verschoben werden. Beschädigte Dichtungen dürfen nicht mehr verbaut werden und führen zum Erlöschen des Garantieanspruchs.
- Der Errichter ist für die Aufrechterhaltung der Schutzart laut technischer Daten verantwortlich, z. B. durch Abdichtung des Kabelaustritts mit Silikon.
- Bei Kürzung von flexiblen Anschlussleitung sind Aderendhülsen zu verwenden.
- Die Geräte dürfen nur in den im Datenblatt angegebenen Temperatur- und Luftfeuchtigkeitsbereichen betrieben werden.

### Produktspezifische Sicherheitshinweise:

- Die Kamera darf nie mit geöffneter Blende direkt gegen die Sonne gerichtet werden (dies zerstört den Sensor).
- Es lässt sich nicht vermeiden, dass im Rahmen der Fertigung und auch beim späteren Gebrauch in gewissem Umfang Feuchtigkeit der Umgebungsluft im Gehäuse vorhanden ist. Bei starken Temperaturschwankungen kann sich die Feuchtigkeit im Gehäuse niederschlagen.
- Um dies in dem sehr dicht abschließenden Gehäuse zu vermeiden, hat der Hersteller bei verschiedenen Kameratypen Silicagel-Beutel in das Kameragehäuse eingelegt.
- Es ist eine physikalische Gegebenheit, dass diese Silicagel-Beutel nach einer gewissen Zeit eine Sättigung erreichen. Sie sollten deshalb gegen neue Silicagel-Beutel ausgetauscht werden.
- Bei der Montage muss grundsätzlich darauf geachtet werden, dass vorhandene Dichtungen ordnungsgemäß eingesetzt und bei der Montage nicht verschoben werden. Beschädigte Dichtungen dürfen nicht mehr verbaut werden und führen zum Erlöschen des Garantieanspruchs.
- In der Nähe des IR-Scheinwerfers ist eine mehrpolige, leicht zugängliche Trennvorrichtung zu installieren, um das Gerät bei Servicearbeiten frei schalten zu können.
- Die Schutzleiterverbindung muss nach DIN VDE 0100 entsprechend niederohmig ausgeführt werden.
- Nachträgliches Lackieren der Geräteoberfläche kann die Funktion beeinträchtigen.
- Durch das Nachlackieren erlischt jeglicher Gewährleistungsanspruch.

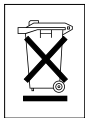
- Bei abgedunkelter Umgebung und direktem Blick in den IR-Scheinwerfer ist ein Sicherheitsabstand von > 1 m zum Scheinwerfer einzuhalten.
- Unsichtbare LED Strahlung nicht direkt mit optischen Instrumenten (z.B. Lupe, Vergrößerungsglas oder Mikroskop) betrachten, da sie eine Augengefährdung verursachen kann, LED Klasse 1M.
- Der Betrieb des IR-Scheinwerfers bei defekter Abdeckung oder bei Reparatur ist untersagt.
- Bitte achten Sie darauf, dass Sie die Kuppel der Dome-Kamera nur mit speziell dafür vorgesehenen Mikrofasertüchern reinigen. Anderenfalls kann die Kuppel beschädigt und die Videoqualität beeinträchtigt werden!

### Hinweis für Geräte der Klasse A

Dies ist ein Gerät der Klasse A. Dieses Gerät kann im Wohnbereich Funktionsstörungen verursachen; in diesem Fall kann vom Betreiber verlangt werden, angemessene Maßnahmen durchzuführen und dafür aufzukommen.

### WEEE-Richtlinie (Elektro- und Elektronik-Altgeräte)

Ordnungsgemäße Entsorgung dieses Produkts (Gilt für die Europäische Union und die anderen Europäischen Länder mit getrennten Sammelsystemen)



Dieses am Produkt oder in seiner Dokumentation gezeigte Symbol bedeutet, dass es am Ende seiner Lebensdauer nicht mit dem Hausmüll entsorgt werden darf. Um eventuelle Umwelt- oder Gesundheitsschäden durch unkontrollierte Abfallbeseitigung zu verhindern, dieses Gerät von anderen Abfallarten trennen und ordnungsgemäß recyceln, um die nachhaltige Wiederverwendung materieller Ressourcen zu fördern. Haushaltsanwender sollten entweder den Händler, bei dem sie dieses Produkt gekauft haben, oder ihr örtliches Regierungsbüro kontaktieren, um Einzelheiten darüber zu erfahren, wo und wie sie dieses Gerät umweltgerecht recyceln können.

Geschäftliche Anwender sollten sich an ihren Lieferanten wenden und die Bedingungen des Kaufvertrags überprüfen. Dieses Produkt darf zur Entsorgung nicht mit anderen Unternehmensabfällen vermischt werden.

## Grafische Symbole

Bitte beachten Sie die Sicherheitshinweise und lesen Sie diese Anleitung vor Inbetriebnahme sorgfältig durch.



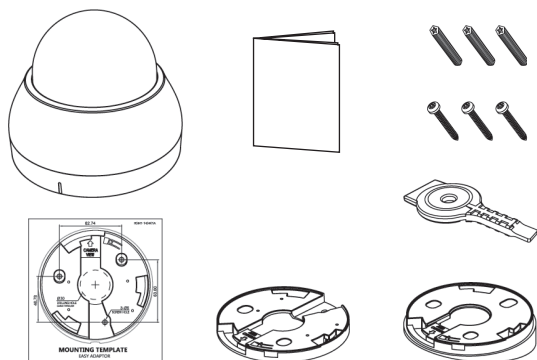
Wichtige Warnhinweise sind mit einem Achtung-Symbol gekennzeichnet.



Wichtige Hinweise sind mit einem Hinweis-Symbol gekennzeichnet.

## Lieferumfang

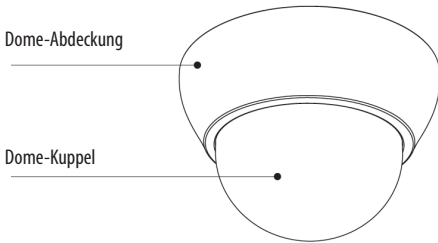
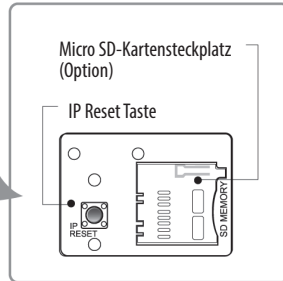
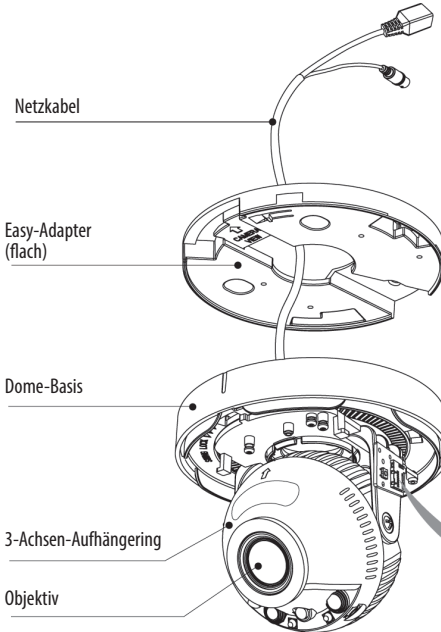
- Dome-Kamera
- Betriebsanleitung
- Bohrschablone
- Kunststoffdübel: 6 x 30 mm (3x)
- Befestigungsschraube: 3,5 x 25 mm (3x)
- Werkzeug zum Öffnen
- Einfacher Adapter
- Keilförmiger Adapter



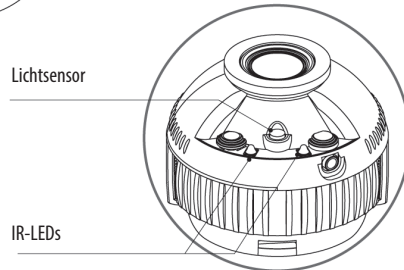


# Gerätekomponenten

DE



## IR-LED Type

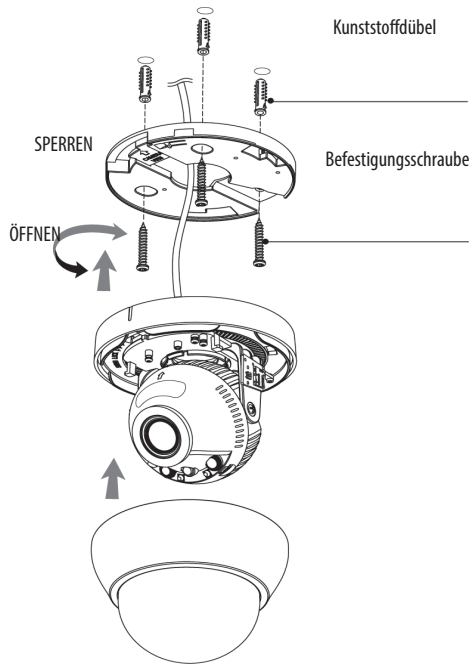


## Installationsanweisungen



**ACHTUNG:** Die Kamerahalterung sollte an einem Bauelement wie etwa Beton, Hartholz, einem Wandständer oder Deckenbalcken befestigt werden, welches das Gewicht der Kamera trägt. Verwenden Sie, falls erforderlich, geeignetes Befestigungsmaterial (z.B. Dübel) anstelle des mitgelieferten Materials.

1. Bohren Sie drei Löcher zur Montage an der Decke oder an der Wand.
2. Setzen Sie die einfachen Adapter an die Stelle mit den vorgebohrten Löchern und befestigen Sie sie mit den Befestigungsschrauben.
3. Verlegen Sie das Netzkabel an die Anschlussstelle.
4. Setzen Sie die Dome-Basis auf den einfachen Adapter.
5. Stellen Sie den Betrachtungswinkel der Kamera ein (Schwenk-, Neigungs- und Drehwinkel).
6. Ziehen Sie die Feststellschraube fest, um eine Schwenkplatte nach der Einstellung anzubringen.
7. Bringen Sie die Dome-Abdeckung auf der Dome-Basis an.



## Optionales Montagezubehör

Für weitere Informationen zu optionalem Montagezubehör besuchen Sie bitte die eneo Webseite unter [www.eneo-security.com](http://www.eneo-security.com).

DE

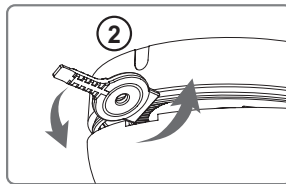
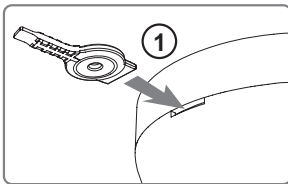


**ACHTUNG:** Im Falle einer Aufbau-, Einbau- oder Winkel-Montage ist die IP-Schutzart nicht garantiert. Wenn die Video- oder Stromanschlüsse dem Wasser oder Regen ausgesetzt sind, ist es notwendig, eine zusätzliche Schutzvorrichtung zu verwenden.

## Installationsanweisungen

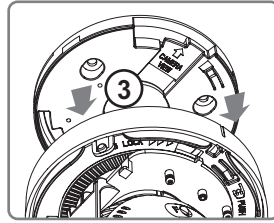
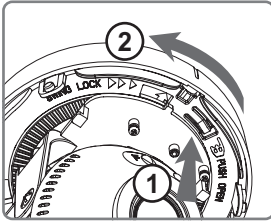
### Öffnen der Dome-Abdeckung

1. Stecken Sie die breite Seite des Universalwerkzeugs in den Verschluss der Dome-Abdeckung.
2. Halten Sie das Dome-Gehäuse mit einer Hand. Drehen Sie das Universalwerkzeug, bis die Dome-Abdeckung ausreichend geöffnet ist.
3. Wenn die Dome-Basis und die Dome-Abdeckung gelöst sind, drücken Sie den Rand der Dome-Abdeckung und entfernen Sie sie.



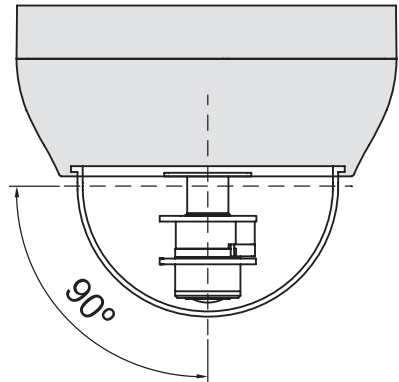
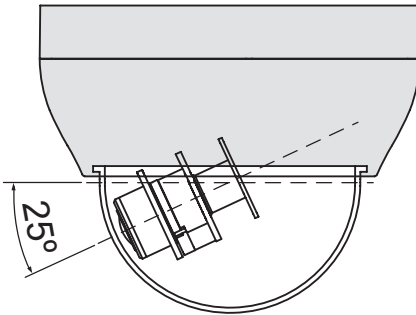
### Trennen der Dome-Kamera vom einfachen Adapter

Drücken Sie auf den Haken auf der Dome-Basis und drehen Sie die Dome-Basis gegen den Uhrzeigersinn. Trennen Sie anschließend die Dome-Kamera vom installierten einfachen Adapter.



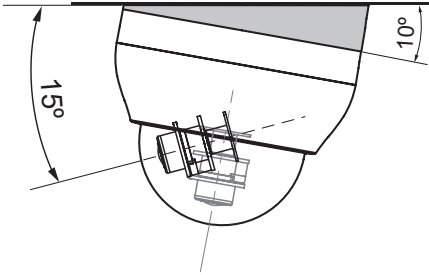
## Einstellung von Schwenkung und Neigung

1. Schwenkwinkel: Der Schwenkwinkel ist auf  $\pm 165^\circ$  begrenzt. Den Aufhängebügel nicht über den Anschlag hinausdrücken, da sonst interne Beschädigungen auftreten können.
2. Neigungswinkel: Die Neigung ist auf min.  $25^\circ$  bis max.  $90^\circ$  begrenzt, wobei vorausgesetzt wird, dass die Neigung des Kameramoduls in Bezug auf die Decke  $0^\circ$  ist, d.h., dass das Bild horizontal ausgerichtet ist.
3. Drehwinkel (horizontale Bildausrichtung): Der Drehwinkel ist begrenzt auf max.  $\pm 60^\circ$ .



## Erweiterter Betrachtungswinkel

Keilförmiger einfacher Adapter (Option)


**VORSICHT (nur LED-Typ):**

Seien Sie vorsichtig bei der Navigation durch das Bildschirm-Menü, um die Infrarot-LEDs nicht zu beschädigen.

Entfernen Sie den Aufkleber nach dem Einstellen.


**VORSICHT:**

Achten Sie bitte darauf, dass sich die Kabel beim Einstellen des Betrachtungswinkels nicht verdrehen.

Achten Sie besonders darauf, die Abdeckkuppel der Dome-Kamera während der Installation oder der Einstellung NICHT zu verkratzen.

Es muss sorgfältig darauf geachtet werden, das Kabel NICHT zu beschädigen, zu knicken oder Gefahrenbereichen auszusetzen.

Setzen Sie die Kamera nie direkt einer starken Lichtquelle wie der Sonne oder einem Scheinwerfer aus.

**Montage- und Inbetriebnahmeanleitung**

1. Stellen Sie vor der Installation sicher, dass die Spannungszufuhr unterbrochen ist.
2. Nachdem alle Verbindungen korrekt angeschlossen wurden, schließen Sie die Stromversorgung in der korrekten Reihenfolge an.

- Schließen Sie das Netzkabel am RJ-45 Ethernet-Port an.  
Wenn PoE als einzige Stromquelle verwendet wird, muss die Netzklemme nicht angeschlossen werden.
- Wenn eine lokale Stromversorgung mit 12VDC notwendig ist, schließen Sie zuerst die Niederspannungsleitung (12VDC) an und stecken Sie erst danach den DC-Adapter in die DC-Steckdose, um fehlerhafte Resets aufgrund von Spannungsschwankungen und Beschädigungen durch Überspannung bei Lastfreiheit zu vermeiden.

Wenn PoE und eine lokale Stromversorgung gleichzeitig verbunden sind, hat die lokale Stromversorgung Vorrang.

### **Stromversorgungsanschlüsse**

Die Kamera kann entweder mit 12 VDC oder PoE (IEEE Std. 802.3af) betrieben werden. Primäre und sekundäre Masse sind vollständig voneinander isoliert, um mögliche Probleme durch Erdungsschleifen zu vermeiden.

## Schnelle Netzwerkkonfiguration

1. Nachdem die Kamera mit dem Netzwerk verbunden wurde, starten Sie das **'eneo Site Manager'** Tool (steht zum Herunterladen auf [www.eneo-security.com](http://www.eneo-security.com) bereit).
2. Sie erhalten eine Liste der im lokalen Netzwerk verfügbaren Kameras. Markieren Sie Ihre Kamera in der Liste und öffnen Sie ein Kontextmenü durch Klicken der rechten Maustaste.
3. Wählen Sie die Option "Set IP Address [dhcp / static]" um ein Fenster für die Kamera IP-Einstellungen zu erhalten. Wenn Sie fertig sind, klicken Sie den "OK" Button um die Kameraeinstellungen zu aktualisieren.
4. Die Kamera ist standardmäßig auf DHCP eingestellt. Wenn kein DHCP-Server im Netzwerk vorhanden ist, wird die Kamera nach einer gewissen Zeit auf eine Standard-IP-Adresse zurückgesetzt. In diesem Fall fügen Sie mehrere Kameras bitte nur nacheinander zum Netzwerk hinzu, um Konflikte aufgrund der identischen IP-Adressen zu vermeiden.  
Die Standard-IP-Adresse der IP-Kamera ist: **192.168.1.10**.
5. Klicken Sie mit der rechten Maustaste auf den Gerätenamen im eneo Site Manager, um das Kontextmenü anzuzeigen. Wählen Sie die Option **'Open Device Web Site'** (Geräte-Webseite öffnen), um auf die Kamera zuzugreifen.
6. Die Login-Seite des Web-Viewers wird in Ihrem Standard-Webbrowser geöffnet. Bei Microsoft Internet Explorer installieren Sie die Active-X-Komponente namens VIDEOR E. Hartig GmbH entsprechend der Anweisungen am unteren Rand des Browsers.
7. Verwenden Sie den Standard-Benutzernamen und das Standard-Passwort zum Einloggen.

Standard-Benutzername: admin

Standard-Passwort: admin

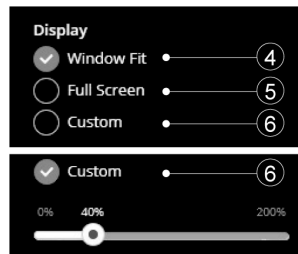
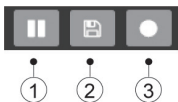


## Beschreibung des Web-Viewers



- (A) Menütaste: Klicken Sie auf diese Taste zum Anzeigen oder Verbergen des Konfigurationsmenüs.
- (B) Modellname: Zeigt den Modellnamen der verbundenen Kamera an.
- (C) Sprache auswählen: Wählen Sie Englisch, Deutsch oder Französisch als Web-Viewer-Sprache.
- (D) Hauptkonfigurationsmenü: Zum Einstellen der Kamera- oder Netzwerk-Funktionen.
- (E) Kameraüberwachungsfenster: Zeigt das Video oder die Funktion der aktuell verbundenen Kamera an.
- (F) Abmelden und den Web-Viewer verlassen

## Player-Steuerung & Anzeige

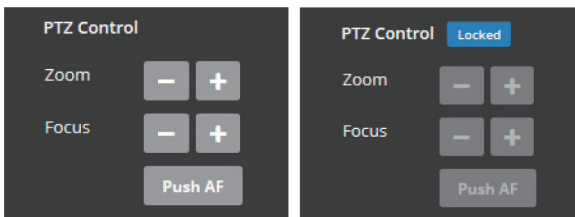


- (1) Pause: Pausiert das Live-Bild.



- (2) Schnappschuss: Erfasst das Bild im .jpg-Format in der aktuellen Auflösung des Streams.
- (3) Aufzeichnung: Aufzeichnung der Live-Ansicht mit der H.264-Kompression auf das installierte Speichermedium SD, SDHC oder SDXC von dem Video-Stream, der unter Menüpunkt AUFZEICHNUNG eingestellt wurde.
- (4) An Fenstergröße anpassen: Die Live-Ansicht wird an die Fenstergröße angepasst.
- (5) Vollbild: Passt die Darstellung von Live-Ansicht-Anzeige der Monitor-Auflösung an. ESC-TASTE: Kehrt zum vorherigen Menü zurück.
- (6) Benutzerdefiniert: Die Vergrößerungsskala (0% ~ 200%) der Live-Ansicht in der Steuerungsleiste wird verwendet. 100% ist die Standardeinstellung.

### PTZ-Steuerung



Zoom: Steuerung des optischen Zooms WIDE und TELE.

Fokus: Manuelle Einstellung des Fokus für NAH und FERN.

Push AF: Automatische Einstellung von Fokus auf Knopfdruck.

**i** ZOOM, FOKUS und PUSH AF sind deaktiviert, wenn die PTZ-Steuerung gesperrt ist. Die Freigabe der PTZ-Steuerung erfolgt über Setup (Konfiguration)>Video&Image (Video und Bild)>Image (Bild)>AF>Lens Locking (Objektivsperre) - OFF (AUS) oder TIMER.



**ACHTUNG:** Wenn Sie die Konfiguration der Objektiveneinstellungen abgeschlossen haben, stellen Sie Setup (Konfiguration)>Video&Image (Video und Bild)>Image (Bild)>AF>Lens Locking (Objektivsperre) auf ON (EIN) oder TIMER, um die unerwünschten Verstellungen des Objektivs zu vermeiden.

Richten Sie Zoom und Fokus nicht bei schlechten Lichtverhältnissen oder in der Nacht ein. Dies kann zu fehlerhafter Fokussierung führen.

Bei den V/F-Modellen darf der Zoom/Fokus-Betrieb nur zu Installationszwecken verwendet werden. Das häufige Verstellen der Zoom-/Fokus-Einstellungen kann die Betriebsdauer des Objektivs verkürzen.

## Übersicht des Konfigurationsmenüs

Kategorie	Menü	Konfiguration	
LIVE-ANSICHT	Player-Steuerung	Pause, Schnappschuss, Aufzeichnung	
		Anzeige: (An Fenstergröße anpassen, Vollbild, Benutzerdefiniert)	
	Video-Stream	Stream1, Stream2, Stream3	
	Protokoll	HTTPS, HTTP, TCP, UDP	
	PTZ-Steuerung	Zoom, Focus, Push AF	
Wiedergabe	Ereignissuche, Zeitleistensuche, Zeitleiste		
KONFIGURATION	Video und Bild	Information	Allgemein, Systeminformationen, Open Source Informationen
		Quelle	
		Stream1/2/3	
		Smart Video Stream	ROI(Region Of Interest), Dynamic GOP
		Allgemein	Helligkeit, Kontrast, Sättigung, Farbton, Schärfe, Bildumkehr aktivieren, Bild spiegeln aktivieren
		Bildschirmmenü	Text einblenden, Datum/Zeit einblenden, Zoom/Fokus einblenden, Modus
		AE	Modus, langsamer Verschluss, Luminanzkompensation, Auto-Blende, Auto-Flimmerfrei, Verschluss, max. Verschluss, Verstärkung, max. Verstärkung
		AWB	Modus, RGain, GrGain, GbGain, BGain
		AF	Modus, Geschwindigkeit, Objektiv-Sperre, Objektiv-Kalibrierung, Tag/Nacht Snc Fokus aktivieren, Objektiv Initialisierung beim Starten
		Tag & Nacht	Modus, Umschaltzeit, Schwellenwert (T -> N), Schwellenwert (N -> T)
		WDR	WDR (Modus, Stufe), DWDR (Modus, Stufe), Defog (Modus, Stufe)
		BLC	BLC (Modus, Stufe), HLC (Modus)
		DNR	3DNR (Modus, Stufe)
		LDC	Modus, Stufe
		VerticalView	Modus, Rotation
		Bereichsmaske	Farbe, Name
		Digitaler Zoom	Stufe
DIS			

KONFIGURATION	Aufzeichnung	Aufzeichnung	Bei vollem Speicher überschreiben, Einstellungen für Daueraufnahme
		Zeitplan	
		Wiederverwendung	Zeiteinstellung für die Wiederverwendung
		Speicher	Formatieren, Entfernen, Speicherinformationen
	Ereignis	Auslöser	Bewegung, VCA, System, Manuell, Netzwerk, Timer, Tag/ Nacht
		Aktionen	Aufzeichnung, E-Mail, FTP, Video Boost, Benachrichtigungsserver
		Regeln	Ereignisverarbeitung, ONVIF Mapping
	System	Sicherheit	Benutzer, HTTPS, IP-Filter, ONVIF, Video-Stream, Export/ Import
		Datum/Uhrzeit	Aktuelle Uhrzeit, Neue Uhrzeit, Zeitzone, Datum & Uhrzeit anzeigen
		Netzwerk	TCP/IP, DDNS, RTP, UPnP, Zeroconf, Bonjour
		Sprache	Englisch, Deutsch, Französisch, Koreanisch
		Wartung	Wartung (Neustart, Zurücksetzen, Voreinstellung), Upgrade, Konfiguration exportieren, Konfiguration importieren
		Protokoll und Bericht	Protokolle (Datenbankkapazität, Suchbedingung, Protokoll-liste), Bericht
	Vier-Augen-Prinzip	Bestätigung # 1/2	
	AUSLOGGEN		

## Schnellkonfiguration

### Information

Zeigt allgemeine Informationen über das System an wie Modellname, MAC-Adresse, IP-Adresse, Zeroconf-IP-Adresse, Firmware-Version, Serverzeit, Betriebszeit, CPU-Auslastung, den ein- und ausgehenden Datenverkehr und die Open-Source-Liste.

The screenshot shows the 'Information' page in the system setup interface. The left sidebar contains navigation options: LIVE VIEW, PLAYBACK, SETUP (with a sub-menu), and LOG OUT. The 'Information' option in the SETUP menu is circled. The main content area is titled 'Information' and shows a 'General' tab with the following data:

General	
Model	XXX-XXXXXXXXXX
MAC Address	78:C2:C0:21:9E:85
IP Address	192.168.0.19
Zeroconf IP Address	169.254.213.228
Hardware Version	XX
Firmware Version	X.X.X.XXX

### Benutzer

Verwaltung der Benutzerkonten nach Gruppen, Namen und Verantwortungsbereichen.

BENUTZER: Können hinzugefügt, bearbeitet oder gelöscht werden.

The screenshot shows the 'Security' page in the system setup interface. The left sidebar contains navigation options: LIVE VIEW, PLAYBACK, SETUP (with a sub-menu), and LOG OUT. The 'System' option in the SETUP menu is circled. The main content area is titled 'Security' and shows a 'Users' tab with the following data:

#	Name	Group	Authority
1	admin	administrator	live, setup, system

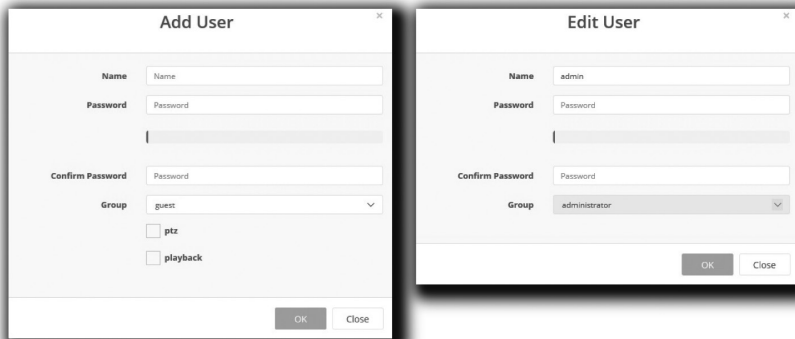
Buttons for 'Add', 'Edit', and 'Delete' are visible at the bottom of the table.

Klicken Sie auf die Schaltflächen Hinzufügen, Ändern oder Löschen, um die Benutzerkonten zu verwalten.

## Hinzufügen

Zum Hinzufügen eines neuen Benutzers:

1. Klicken Sie auf Hinzufügen und geben Sie einen neuen Benutzernamen ein. (1 bis 14 alphanumerische Zeichen). Bei den Benutzernamen wird nicht zwischen Groß- und Kleinschreibung unterschieden.
2. Geben Sie ein Passwort ein und tippen Sie diesen anschließend zur Bestätigung erneut ein. (1 bis 8 alphanumerische Zeichen). Bei Passwörtern wird die Groß-/ Kleinschreibung berücksichtigt.
3. Wählen Sie eine der Gruppen, der Sie den Benutzer zuweisen möchten, sowie bestimmen Sie die Rechte für PTZ- und Wiedergabe-Steuerung.
4. Klicken Sie auf die Schaltfläche OK, um die Einstellungen zu speichern und den neuen Benutzer hinzuzufügen.



The image shows two side-by-side screenshots of user management forms. The left form is titled 'Add User' and contains fields for Name, Password, Confirm Password, and Group (set to 'guest'). It also has checkboxes for 'ptz' and 'playback'. The right form is titled 'Edit User' and shows the same fields, but with 'admin' in the Name field and 'administrator' in the Group dropdown. Both forms have 'OK' and 'Close' buttons at the bottom.

## Bearbeiten

Zum Bearbeiten eines Benutzers:

1. Wählen Sie den Namen des Benutzers aus der Benutzerliste aus, den Sie bearbeiten möchten.
2. Klicken Sie auf die Registerkarte Bearbeiten, dann erscheint ein neues Pop-up-Fenster.

3. Geben Sie ein Passwort ein (1 bis 8 alphanumerische Zeichen) und tippen Sie diesen anschließend zur Bestätigung erneut ein. **Der Benutzername kann nicht geändert werden.**
4. Wählen Sie eine der Gruppen, der Sie den Benutzer zuweisen möchten.
5. Klicken Sie auf die Schaltfläche OK, um die geänderten Einstellungen des Benutzers zu speichern.

## Löschen

Zum Entfernen eines Benutzers:

1. Wählen Sie den Namen des Benutzers aus der Benutzerliste aus, den Sie entfernen möchten.
2. Klicken Sie auf Löschen. In einem Dialogfeld werden Sie um Bestätigung gebeten.
3. Klicken Sie auf die Schaltfläche OK. Das Benutzerprofil wird aus der Benutzerliste entfernt.

## Datum/Uhrzeit

### Aktuelle Uhrzeit

Zeigt das aktuelle Datum und die aktuelle Uhrzeit an. Beim Klick auf SAVE (SPEICHERN) werden das Datum und die Uhrzeit aktualisiert und unter NEW TIME (NEUE ZEIT) gespeichert.

### Neue Uhrzeit

Wählen Sie eine Server-Zeit aus.

- Synchronize with computer time (Synchronisation mit der Computerzeit): Stellt die Uhrzeit anhand der Zeit Ihres Computers ein.
- Set manually (Manuelle Einstellung): Stellt das Datum und die Uhrzeit manuell ein.
- Synchronize with NTP Server (Synchronisation mit NTP-Server): Stellt die Uhrzeit alle 60 Minuten anhand des zugewiesenen NTP-Servers ein. Die IP-Adresse oder der Host-Name des NTP-Servers wird im Zeitserver angegeben.

### Zeitzone

Der ausgewählte NTP-Server soll mit der Zeitzone übereinstimmen, in der die Kamera installiert wurde. Markieren Sie das Kontrollkästchen AUTOMATICALLY ADJUST FOR

DAYLIGHT SAVING CHANGES (Automatische Sommerzeitschaltung), um die durch die Sommerzeit erforderlichen Umstellungen automatisch durchführen zu lassen.

## Datum- & Uhrzeitanzeige

Wählen Sie das Datums&Zeitformat aus, die angezeigt werden sollen.

DE

The screenshot displays the 'Date & Time' configuration interface. On the left, a sidebar menu includes 'LIVE VIEW', 'PLAYBACK', and 'SETUP'. Under 'SETUP', the 'System' category is expanded, and 'Date & Time' is highlighted. The main content area shows the 'Date & Time' settings. A 'Current Time' section displays 'Date: 01-01-1970' and 'Time: 23:57:25'. Below it, the 'New Time' section offers three options: 'Synchronize with computer time' (checked), 'Set manually' (selected), and 'Synchronize with NTP server' (unchecked). The 'Set manually' option shows 'Date: 01-01-1970' and 'Time: 23:57:10'. The 'Synchronize with NTP server' option shows 'Server: 0.pool.ntp.org' and 'Interval (Hour): 12'. A 'Time Zone' section is partially visible at the bottom. A success message box at the top right states: 'Success This request has been performed without error' with a 'Save' button.

## Netzwerk

Wenn im Netzwerk ein DHCP-Server (Dynamic Host Configuration Protocol) vorhanden ist, weist dieser Netzwerkgeräten automatisch eine IP-Adresse zu.

## IPv4-Adresse

### **Obtain IP address via DHCP (IP-Adresse von DHCP-Server beziehen):**

Ruft die IP-Adresse ab, die vom DHCP-Server (Dynamic Host Configuration-Protokoll) zugewiesen wurde.

### **Status:**

'Allocated' zeigt an, dass die IP-Adresse vom DHCP bezogen wurde.

### **IP-Adresse, Subnetzmaske, Gateway:**

Zeigt die aktuelle IP-Adresse an, die vom DHCP bezogen wurde.

### **Use the following IP address (Folgende IP-Adresse verwenden):**

Markieren Sie das Optionsfeld nur, wenn Sie die IP-Adresse manuell einstellen wollen.

## IPv6-Adresse

Markieren Sie das Kontrollkästchen ENABLE (AKTIVIEREN), um die IPv6-Adresse zu verwenden, und klicken Sie auf die Schaltfläche SAVE (SPEICHERN), anschließend wird eine neue IPv6-Adresse bezogen.

## DNS

### **DNS-Adresse von DHCP-Server beziehen:**

Bezieht die DNS-Adresse, die vom DHCP-Server automatisch zugewiesen wurde.

### **Folgende DNS-Adresse verwenden:**

Benötigt manuelle Eingabe, siehe unten.

- DOMAIN NAME (DOMAINNAME): Geben Sie die Domain für den Hostnamen ein.
- PRIMARY DNS SERVER (Primärer DNS-Server): Geben Sie die IP-Adresse des primären DNS-Servers ein.
- SECONDARY DNS SERVER (Sekundärer DNS-Server): Geben Sie die IP-Adresse des sekundären DNS-Servers ein.



**LIVE VIEW**

**PLAYBACK**

**SETUP**

- Information
- Video & Image
- Audio
- Record
- Event
- System**
- Security
- Date & Time
- Network
- Language
- Maintenance

## Network

SETUP / System / Network Save

TCP/IP   DDNS   RTP   UPnP   Zeroconf   Bonjour

### IPv4 Address

Obtain IP address via DHCP server

Status: **Allocated**

IP address: 192 . 168 . 0 . 87

Subnet mask: 255 . 255 . 255 . 0

Gateway: 192 . 168 . 0 . 1

Use the following IP address

DE

## Weitere Informationen

Bitte halten Sie die Firmware stets aktuell, damit Sie die neuesten Funktionen des Geräts nutzen können. Die aktuellsten Firmware-Versionen finden Sie auf unserer Website unter [www.eneo-security.com](http://www.eneo-security.com).

Das Benutzerhandbuch und weitere Software-Tools sind auf der eneo Website unter [www.eneo-security.com](http://www.eneo-security.com) verfügbar.

Informationen zu kompatiblen Video Management Software-Lösungen finden Sie in der Kategorie **Software** unter [www.eneo-security.com](http://www.eneo-security.com).

### OPEN SOURCE SOFTWARE LIZENZINFORMATION

Software, die mit eneo Produkten ausgeliefert wird, kann urheberrechtlich geschützte Softwarekomponenten enthalten, die unter verschiedenen Open-Source-Lizenzen stehen. Detaillierte Informationen über die enthaltenen Open-Source-Softwarepakete, die verwendeten Paketversionen, Lizenzinformationen und die vollständigen Lizenzbedingungen finden Sie

- in der Benutzeroberfläche Ihrer Produkte enthaltenen Open-Source-Informationen,
- auf den Produktdetailseiten auf der eneo Website ([www.eneo-security.com](http://www.eneo-security.com)),
- im eneo Downloadportal (<https://datacloud.videor.com/s/eneodownloadportal>). Für den Fall, dass der vorherige Link nicht mehr funktioniert, finden Sie den aktuellen Link zum eneo-Downloadportal auf jeder eneo Produktseite unter [www.eneo-security.com](http://www.eneo-security.com).
- im Download-Paket Ihrer Firmware. Die vollständigen Open-Source-Software-Lizenzinformationen zu Ihrem Produkt sind im entsprechenden Downloadpaket enthalten, das Sie in unserem Downloadportal finden.

Sollte Ihnen eine Information fehlen, wenden Sie sich bitte an [opensource@eneo-security.com](mailto:opensource@eneo-security.com), wir stellen Ihnen die fehlende Information natürlich gerne zur Verfügung und werden diese ebenfalls der Öffentlichkeit zugänglich machen.

Wenn Sie Zugang zu den in unseren Produkten verwendeten Open-Source-Komponenten (Quellcodes) erhalten möchten, wenden Sie sich bitte an [opensource@eneo-security.com](mailto:opensource@eneo-security.com).

## Contenu

<b>Matériel livré.....</b>	<b>46</b>
<b>Noms des pièces .....</b>	<b>47</b>
<b>Instructions d'installation.....</b>	<b>48</b>
Instructions d'installation.....	49
Réglages Panoramique/Inclinaisons .....	49
Instructions pour l'installation et la mise en service .....	51
Connexions d'alimentation .....	51
<b>Configuration rapide du réseau .....</b>	<b>52</b>
Description de la visionneuse web (Web viewer) .....	53
Commande du lecteur & affichage.....	53
Commande PTZ.....	54
Tableau du menu Configuration.....	55
<b>Configuration rapide.....</b>	<b>58</b>
Information.....	58
Utilisateurs.....	58
Ajouter .....	59
Éditer.....	59
Supprimer .....	60
Date & heure .....	60
Heure actuelle .....	60
Nouvelle heure.....	60
Fuseau horaire .....	60
Affichage du jour et de l'heure.....	61
Réseau .....	61
Adresse IPv4.....	61
Adresse IPv6 .....	62
DNS .....	62
<b>Complément d'information .....</b>	<b>64</b>

## Instructions de sécurité

### Consignes de sécurité générales

- Avant de brancher et de mettre en service le système, veuillez lire d'abord ces consignes de sécurité ainsi que la notice d'instructions.
- Conservez soigneusement la notice d'instructions en vue d'une utilisation ultérieure.
- Le montage, la mise en service et la maintenance du système doivent impérativement être réalisés par des personnes autorisées, en conformité avec les instructions d'installation et en respectant toutes les normes et directives applicables.
- Protéger les appareils contre l'intrusion d'eau et d'humidité du fait d'un risque de dommages durables.
- Si de l'humidité pénètre malgré tout dans un appareil, il ne faut jamais mettre en marche l'appareil dans ces conditions, mais le remettre pour vérification à un atelier de réparation agréé.
- Le système ne doit jamais être utilisé en dehors des conditions techniques qui ont été définies en raison d'un risque de destruction.
- L'appareil doit être protégé contre la chaleur excessive, la poussière, l'humidité et les vibrations.
- Pour couper l'alimentation électrique du système, retirer la fiche de la prise pour débrancher le câble. Il ne faut jamais tirer directement sur le câble.
- Posez avec soin les câbles de raccordement et assurez-vous que les câbles ne subissent aucune contrainte mécanique, ne sont pas pliés ou endommagés et qu'il n'y a pas de pénétration d'humidité.
- Veuillez informer votre fournisseur en cas d'apparition de dysfonctionnements.
- Les travaux de maintenance et de réparation doivent être réalisés par des techniciens spécialisés et agréés.
- L'alimentation électrique doit être coupée avant chaque ouverture du boîtier.
- L'appareil doit être ouvert par des techniciens qualifiés. Toute intervention non autorisée entraîne une expiration de la garantie.
- Les câbles de raccordement doivent toujours être remplacés par Videor E. Hartig GmbH.
- Utiliser exclusivement des pièces de rechange et des accessoires d'origine de VIDEOR E. Hartig GmbH.
- Pour nettoyer le boîtier, il faut utiliser un détergent domestique non agressif. Il ne faut jamais utiliser de diluant ou de l'essence sous peine d'endommager la surface durablement.
- Lors du montage, les joints doivent toujours être mis en place de manière réglementaire et ne doivent pas être déplacés au cours du montage. Les joints endommagés ne doivent plus être utilisés sous peine d'annuler toute garantie.
- L'installateur est responsable du respect du niveau de protection défini dans les caractéristiques techniques, par ex. en utilisant du silicone pour rendre étanche la sortie du câble.
- Des embouts doivent être utilisés quand il faut raccourcir des fils de raccordement flexibles.
- Les appareils doivent être exploités en respectant les plages de températures et l'humidité ambiante définies dans la fiche technique.

### Consignes de sécurité spécifiques pour les différents produits

- La caméra ne doit jamais être dirigée vers le soleil avec le diaphragme ouvert (destruction du capteur).
- Il est inévitable qu'une certaine quantité d'humidité provenant de l'air ambiant pénètre dans le boîtier dans le cadre de la fabrication et de l'utilisation ultérieure. L'humidité peut produire une condensation à l'intérieur du boîtier en cas de fortes variations de température.
- Afin d'éviter ce phénomène dans le boîtier qui est très étanche, le fabricant a placé des sachets de gel de silice dans le boîtier de différents types de caméras.
- Ces sachets de gel de silice sont saturés après un certain temps, ce qui est tout à fait normal. Ils devraient donc être remplacés par des nouveaux sachets de gel de silice.
- Lors du montage, les joints doivent toujours être mis en place de manière réglementaire et ne doivent pas être déplacés au cours du montage. Les joints endommagés ne doivent plus être utilisés sous peine d'annuler toute garantie.
- Un dispositif de mise hors tension facile d'accès et multipolaire doit être installé à proximité du projecteur IR, afin de pouvoir couper l'appareil pour les travaux d'entretien.
- Le conducteur de protection doit être réalisé conformément à la norme DIN VDE 0100 avec une faible résistance adaptée.
- L'application ultérieure d'une couche de peinture sur l'appareil peut en perturber le fonctionnement.
- L'application ultérieure d'une couche de peinture entraîne l'expiration de toute demande de garantie.

- Une distance de sécurité > 1 m doit être respectée par rapport au projecteur dans un environnement sombre, quand on regarde directement dans le projecteur IR.
- Les rayons invisibles des LED ne doivent pas être observés directement avec des instruments optiques (par ex. loupe, microscope, etc.) du fait d'un risque pour les yeux, LED classe 1M.
- Il est interdit d'utiliser le projecteur IR avec un cache défectueux ou pendant des travaux de réparation.
- Veuillez vous assurer que vous ne nettoyez la bulle de la caméra dôme qu'avec des chiffons en microfibre spécialement conçus à cet effet. Si vous ne le faites pas, vous risquez d'endommager la bulle et de réduire la qualité de la vidéo !

### Remarque concernant l'appareil de classe A

Ceci est un appareil de classe A. Cet appareil est susceptible de provoquer des dysfonctionnements dans les locaux d'habitation. Dans ce cas, il peut être demandé à l'exploitant de réaliser les travaux nécessaires et d'en supporter les frais.

FR

### WEEE (Waste Electrical & Electronic Equipment)

Élimination conforme du présent produit (applicable dans l'Union européenne et dans d'autres pays européens disposant de systèmes de collecte distincts).



Le marquage indiqué sur le produit ou dans le mode d'emploi indique qu'il ne devrait pas être éliminé avec d'autres déchets ménagers à la fin de sa vie de service. Pour éviter tout effet néfaste sur l'environnement ou sur la santé humaine résultant de l'élimination non contrôlée de déchets, séparez ce produit des autres types de déchets et recyclez-le de manière responsable afin de promouvoir l'utilisation durable des ressources matérielles. Les utilisateurs ménagers doivent contacter soit le revendeur où ils ont acheté ce produit, soit leur organisme local pour obtenir plus d'informations sur le recyclage correct de cet article afin de protéger l'environnement. Les utilisateurs commerciaux doivent contacter leur fournisseur et vérifier les modalités du contrat de

vente. Ce produit ne doit pas être mélangé à d'autres déchets commerciaux lors de leur élimination.

## Symboles graphiques

Respectez les consignes de sécurité ci-après et lisez attentivement cette notice avant toute utilisation.



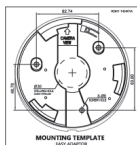
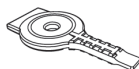
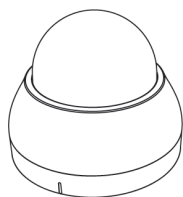
Les mises en garde importantes sont précédées d'un symbole d'avertissement.



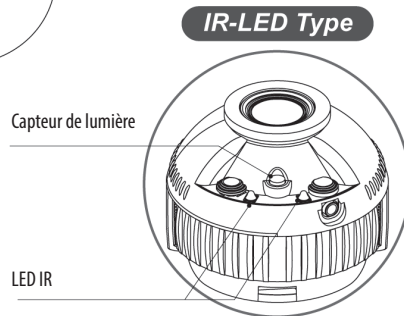
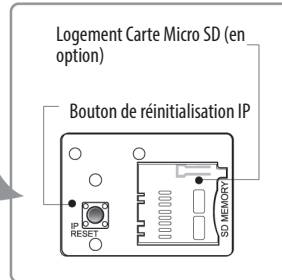
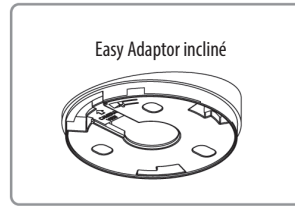
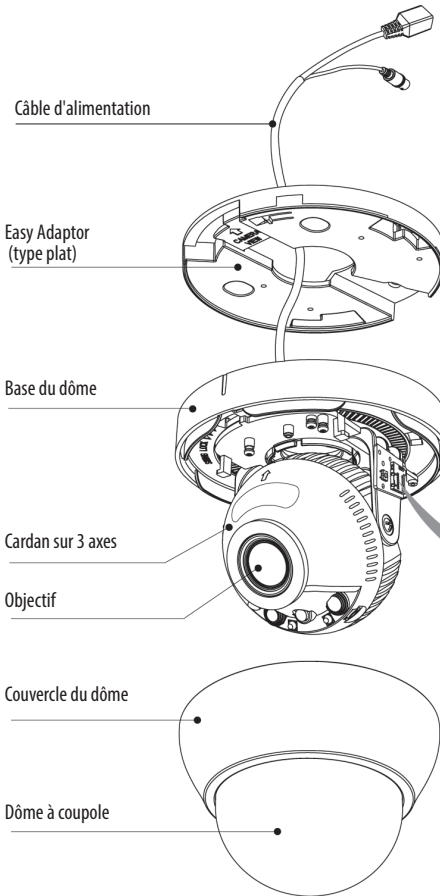
Les points importants sont précédés d'un symbole de notice.

## Matériel livré

- Caméra dôme
- Mode d'emploi
- Gabarit de perçage
- Chevilles en plastique : 6 x 30 mm (3x)
- Vis de montage : 3,5 x 25mm (3x)
- Tourne-vis
- Easy Adaptor
- Adaptateur incliné



## Noms des pièces

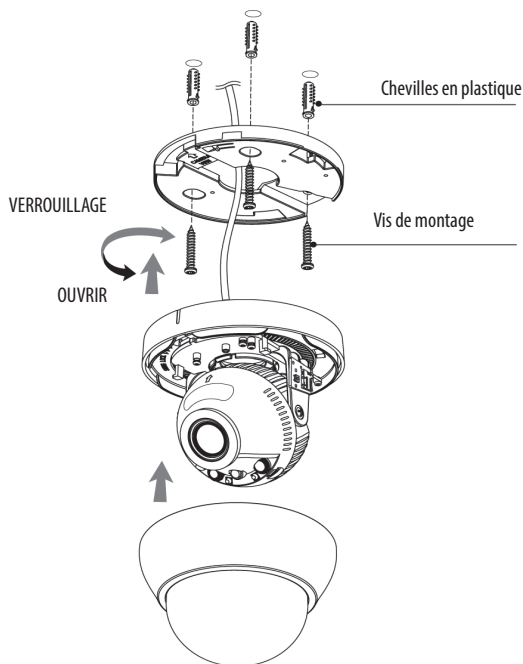


## Instructions d'installation



**ATTENTION :** La base de la caméra doit être fixée à une surface solide, comme du bois dur, un mur, pilier ou poutre au plafond apte à supporter le poids de la caméra dôme. Si nécessaire, utiliser un matériel de fixation (ancrages) plus adéquat au lieu du matériel fourni avec la caméra.

1. Percer trois trous pour le montage au plafond ou sur le mur.
2. Placer les Easy Adaptors à la position pré-percée et les fixer à l'aide des vis de montage.
3. Guider le câble d'alimentation vers le lieu de connexion.
4. Placer la caméra dôme sur l'Easy Adaptor.
5. Régler l'angle de la caméra (panoramique, inclinaison, rotation).
6. Serrer la vis de blocage pour fixer une plaque de support après le réglage.
7. Monter le couvercle du dôme sur la base.



### Accessoires de montage disponibles en option

Pour plus d'informations concernant les accessoires de montage, visitez le site Internet d'eneo sous [www.eneo-security.com](http://www.eneo-security.com).





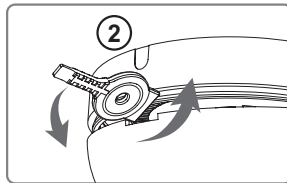
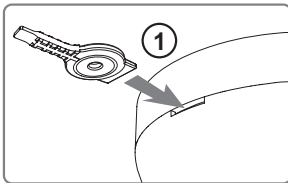
**ATTENTION :** dans le cas d'une installation encastrée / en surface / inclinée, l'indice de protection IP n'est pas garantie. Si les connecteurs d'alimentation/vidéo sont exposés à l'eau ou à la pluie, un écran de protection séparé est essentiel.

## Instructions d'installation

FR

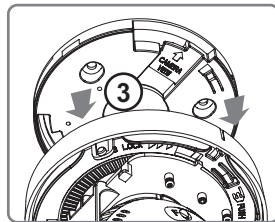
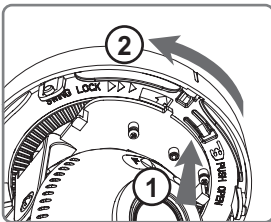
### Ouvrir le cache de l'objectif

1. Insérer le côté large de l'outil d'ouverture dans la serrure du couvercle du dôme.
2. Tenir le couvercle du dôme d'une main et tourner l'outil jusqu'à ce que l'ouverture du couvercle du dôme soit suffisante.
3. Une fois que la base et le couvercle du dôme sont détachés, appuyer sur le bord du couvercle du dôme et le tirer vers le bas avec les mains.



### Démonter la caméra dôme de l'Easy Adaptor

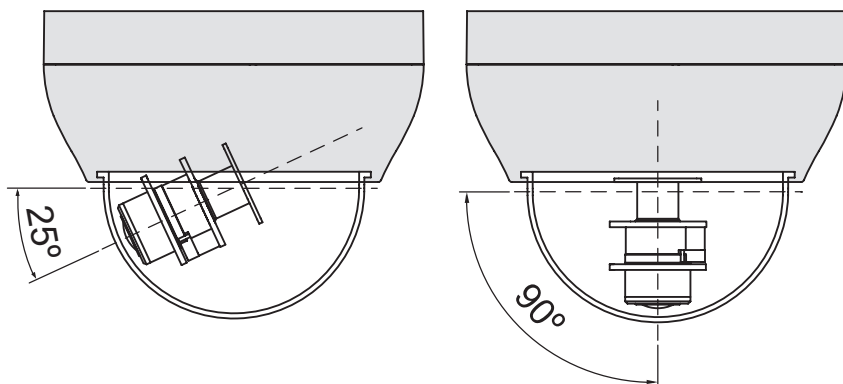
Poussez le crochet sur la base du dôme et tournez celle-ci dans le sens inverse des aiguilles d'une montre. Ensuite, la caméra dôme peut être retirée de l'Easy Adaptor installé.



## Réglages Panoramique/Inclinaisons

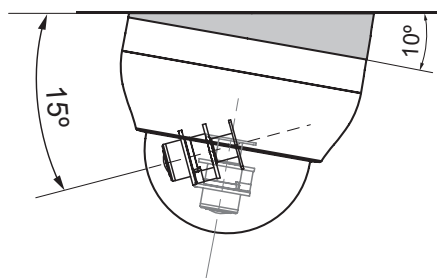
1. Limite de panoramique : le panoramique est limité à +/- 165°. Ne forcez PAS la rotation du cadran au-delà de la limite pour éviter des dommages internes.

2. Limite d'inclinaison : l'inclinaison est limitée à une fourchette de 25° min ~ 90° max. pour une installation murale (au plafond) par rapport au plafond lorsque l'inclinaison du module caméra est à 0°, c'est-à-dire lorsque l'image est alignée horizontalement.
3. Limite d'inclinaison (alignement horizontal de l'image) Inclinaison limitée à +/-60°.



### Angle de vision étendue de la caméra

Easy Adaptor incliné (option)



#### ATTENTION (type LED uniquement) :

Faites attention aux LED IR lorsque vous contrôlez le cardan à 3 axes.

Retirez l'autocollant après les ajustements.





### ATTENTION :

Veiller à ne pas tordre le câble pendant les réglages panoramiques et d'inclinaison.

ATTENTION : Il faudra veiller à ne pas érafler la surface de la coupole lors de l'installation ou le réglage de la caméra.

Veillez à ne PAS endommager, déformer ou exposer le câble dans une zone dangereuse.

La caméra ne doit pas être exposée directement au soleil ou à un éclairage fluorescent.

FR

## Instructions pour l'installation et la mise en service

1. Assurez-vous que l'alimentation secteur est déconnectée avant l'installation.
2. Après avoir réalisé correctement tous les branchements, respectez la séquence de mise sous tension.
  - Brancher le câble réseau dans la prise RJ-45 Ethernet.  
Quand le PoE est l'unique source d'alimentation, il n'est pas nécessaire de connecter le terminal de courant.
  - Si un courant CC 12V local est requis, connectez d'abord le connecteur basse tension (CC 12V), puis l'adaptateur CC aux sorties de courant alternatif afin d'éviter une ré-initialisation inopportune due à une instabilité de l'alimentation et des dommages en cas de surtension sans charge.

Quand le PoE et l'alimentation CC locale sont connectés simultanément, le courant local est prioritaire.

## Connexions d'alimentation

La caméra peut fonctionner en 12 V CC ou par PoE (IEEE Std. 802.3af). Les mises à la terre primaire et secondaire sont complètement isolées pour éviter les éventuels problèmes de boucle de masse.

## Configuration rapide du réseau

1. Après avoir connecté la caméra au réseau, démarrez l'outil '*eneo Site Manager*' (téléchargeable sur le site [www.eneo-security.com](http://www.eneo-security.com)).
2. Vous obtiendrez une liste des caméras connectées au réseau local. Sélectionnez votre caméra dans la liste et ouvrez le menu contextuel en cliquant avec le bouton droit de la souris.
3. Sélectionner l'option « Set IP Address [dhcp / static] » pour ouvrir une fenêtre et paramétrer les propriétés des caméras IP. Ensuite, cliquez sur « OK » pour mettre à jour les réglages de la caméra.
4. La caméra est réglée par défaut sur DHCP. S'il n'y a aucun serveur DHCP présent dans le réseau, la caméra vous renverra une adresse IP par défaut au bout d'un certain temps. Dans ce cas, veuillez n'ajouter qu'une seule caméra à la fois au réseau afin d'éviter les conflits dus à des adresses IP identiques.  
L'adresse IP par défaut de la caméra réseau est : **192.168.1.10**.
5. Cliquez avec la touche droite de la souris sur le nom de l'appareil dans le gestionnaire de site « eneo Site Manager » pour faire apparaître le menu contextuel. Utilisez l'option '*Open Device Web Site*' pour accéder à la caméra.
6. La page de connexion de la visionneuse web (Web viewer) s'ouvrira dans votre navigateur par défaut.  
Si vous disposez de Microsoft Internet Explorer, installez l'ActiveX nommé VIDEOR E. Hartig GmbH selon les instructions figurant au bas du navigateur.
7. Utilisez le nom de l'utilisateur et le mot de passe par défaut pour vous connecter.

Nom d'utilisateur par défaut : admin

Mot de passe par défaut : admin



The screenshot shows the login interface for the eneo web viewer. At the top left is the eneo logo, and at the top right is the text 'XXX-XXXXXXXXXX'. Below this, there are two input fields: the first is for the username, containing 'admin', and the second is for the password, containing six dots. Below the password field is a checkbox labeled 'Jump to setup'. At the bottom of the form is a dark button labeled 'Login'.

## Description de la visionneuse web (Web viewer)



FR

- (A) Bouton Menu : cliquez sur le bouton pour afficher ou masquer la barre de menu de configuration.
- (B) Nom du modèle : afficher un nom de modèle de caméra connecté.
- (C) Sélectionner une langue : définir la langue de visionneuse web anglais, allemand ou français.
- (D) Barre de menu de configuration principal : permet le paramétrage des fonctions de la caméra ou du réseau.
- (E) Fenêtre de surveillance de la caméra : permet d'afficher la vue ou la fonction de la caméra actuellement connectée.
- (F) Se déconnecter et quitter la visionneuse web (Web viewer)

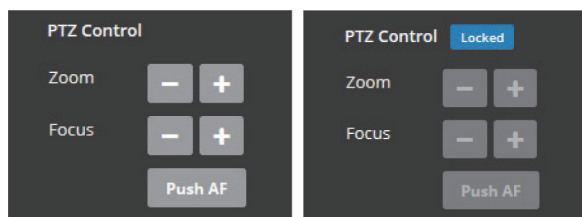
## Commande du lecteur & affichage



- (1) Pause : interrompt l'affichage en direct.

- (2) Snapshot (Instantané) : capture l'image au format .jpg avec la résolution du flux actuel.
- (3) Record (Enregistrement) : enregistre la vidéo en direct en format H.264 sur la mémoire de stockage équipée comme SD, SDHC ou SDXC à partir du flux vidéo sélectionné dans le menu RECORD.
- (4) Window Fit (Remplir la fenêtre) : affiche la page Life View (affichage en direct) pour régler la taille de la fenêtre d'affichage.
- (5) Full Screen (Plein écran) : redimensionne l'affichage de la vue en direct pour l'adapter à la résolution du moniteur. La touche ESC permet de revenir à la vue précédente.
- (6) Custom (Personnalisé) : sélectionne l'échelle d'affichage de la vue en direct, 0% ~ 200%, via la barre de commande. 100% correspond à la taille originale.

### Commande PTZ



Zoom : contrôle le zoom optique avant / arrière de l'objectif pour WIDE & TELE.

Focus (Mise au point) : ajuste manuellement la mise au point de l'objectif pour NEAR & FAR.

Push AF : permet la mise au point de l'objectif en appuyant sur un bouton.

**i** ZOOM, FOCUS & PUSH AF sont désactivés lorsque la commande PTZ est verrouillée. La commande PTZ peut être déverrouillée dans le chemin de menu Setup>Video&Image>Image>AF>Lens Locking (Configuration>Video&Image>Image>AF>Verrouillage de l'objectif) sur OFF ou TIMER.



**ATTENTION :** Réglez la fonction LENS LOCKING (Verrouillage de l'objectif) dans le chemin de menu Setup>Video&Image>Image>AF>Lens Locking (Configuration>Video&Image>Image>AF> Verrouillage de l'objectif) sur ON ou TIMER, après avoir terminé le réglage de l'objectif pour éviter un fonctionnement indésirable des lentilles.

Ne pas ajuster le zoom / la mise au point dans des conditions de faible luminosité ou nocturnes. Cela pourrait causer une erreur de mise au point.

Pour les versions V/F motorisées, la fonction Zoom / Focus est fortement recommandée uniquement pour l'installation. Les réglages fréquents du zoom / de la mise au point peuvent réduire la durée de vie de l'objectif.

### Tableau du menu Configuration

Catégorie	Menu	Configuration
LIVE VIEW (Affichage en direct)	Commande du lecteur	Pause, instantané, enregistrement
		Afficher (Ajustement de la fenêtre, Plein écran, Personnalisé)
	Flux vidéo	Stream1, Stream2, Stream3
	Protocole	HTTPS, HTTP, TCP, UDP
	Commande PTZ	Zoom, Focus, Push AF
LECTURE	Recherche par évènement, recherche chronologique, barre temporelle	

CONFIGURATION	Information	Généralités, informations système, informations Open source			
	Video & Image	Source			
		Stream1/2/3			
		Smart Video Stream	ROI(Region Of Interest), Dynamic GOP		
		Image	Basic	Luminosité, contraste, saturation, teinte, netteté, activer le pivotement d'image, activer l'image miroir	
			OSD	Activer le texte OSD, activer la date & l'heure OSD, activer le zoom & focus OSD, mode	
			AE	Mode, obturateur lent, compensation de luminance, iris automatique, sans scintillement automatique, obturateur, max. obturateur, gain, max. gain	
			AWB	Mode, RGain, GrGain, GbGain, BGain	
			AF	Mode, vitesse, verrouillage de l'objectif, calibrage de l'objectif, activer la mise au point synchro Jour&Nuit, Initialisation de l'objectif au démarrage	
			Jour&Nuit	Mode, temps de commutation, seuil (J->N), seuil (N->J)	
			WDR	WDR (mode, niveau), DWDR (mode, niveau), anti-buée (mode, niveau)	
			BLC	BLC (mode, niveau), HLC (mode)	
			DNR	3DNR(mode, niveau)	
			LDC	Mode, niveau	
		VerticalView	Mode, Rotation		
		Zones privées	Couleur, Nom		
	Zoom numérique	Niveau			
DIS					

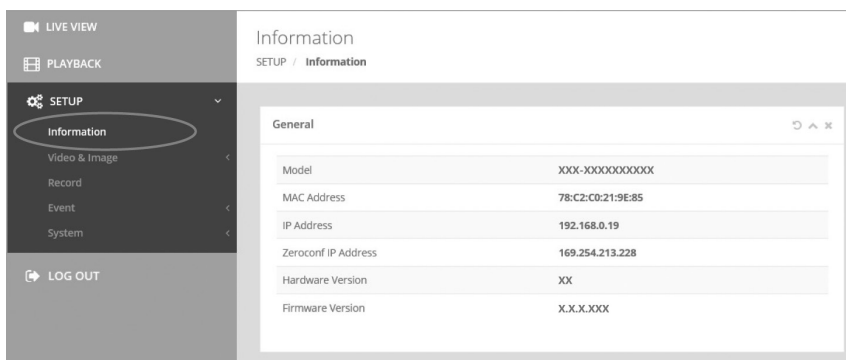


CONFIGURATION	Enregistrement	Enregistrement	Écraser lorsque le disque est plein, paramètres d'enregistrement continu	
		Programmation		
		Recyclage	Réglage du temps de recyclage	
		Stockage	Formater, supprimer, stocker des informations	
	Événement	Déclencheurs	Motion, VCA, Système, Manuel, Réseau, Minuterie, Jour / Nuit	
		Actions	Enregistrement, e-mail, FTP, optimisation vidéo, serveur de notification	
		Règles	Traitement d'évènement, mappage ONVIF	
	Système	Sécurité	Utilisateur, HTTPS, filtre IP, ONVIF, flux vidéo, exportation / importation	
		Date & heure	Heure actuelle, nouvelle heure, fuseau horaire, affichage date & heure	
		Réseau	TCP/IP, DDNS, RTP, UPnP, Zeroconf, Bonjour	
		Langue	Anglais, allemand, français, coréen	
		Maintenance	Maintenir (Redémarrer, Réinitialiser, Par défaut), mise à niveau, exportation de configuration, importation de configuration	
		Fichier-journal & rapport	Logs (capacité de la base de données, état de la recherche, liste de connexion), Rapport	
	PRINCIPE DES 4 YEUX	Agrément # 1/2		
	Log out (Déconnexion)			

## Configuration rapide

### Information

Affiche les informations générales sur le système telles que le nom du modèle, l'adresse MAC, l'adresse IP, Zeroconf, l'adresse IP, la version du micro-programme, l'heure du serveur, le temps de fonctionnement, l'utilisation du processeur, la bande passante entrante / sortante et la liste des sources libres.



Information  
SETUP / Information

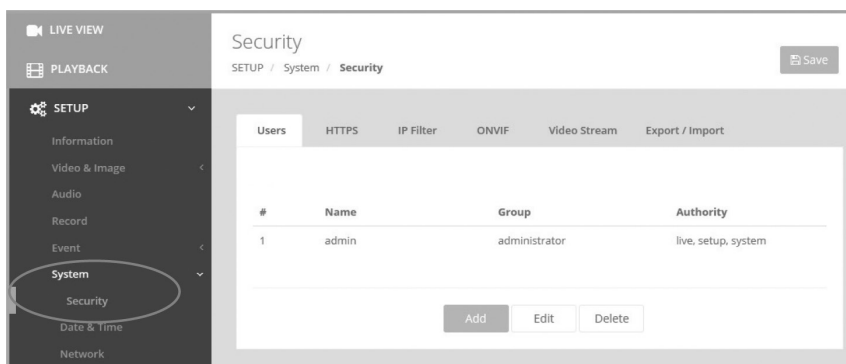
General

Model	XXX-XXXXXXXXXX
MAC Address	78:C2:C0:21:9E:85
IP Address	192.168.0.19
Zeroconf IP Address	169.254.213.228
Hardware Version	XX
Firmware Version	X.X.X.XXX

### Utilisateurs

Gère les comptes utilisateurs sous des noms, des groupes et des autorités.

USERS (UTILISATEURS) : peut être ajouté, modifié ou supprimé.



Security  
SETUP / System / Security

Save

Users    HTTPS    IP Filter    ONVIF    Video Stream    Export / Import

#	Name	Group	Authority
1	admin	administrator	live, setup, system

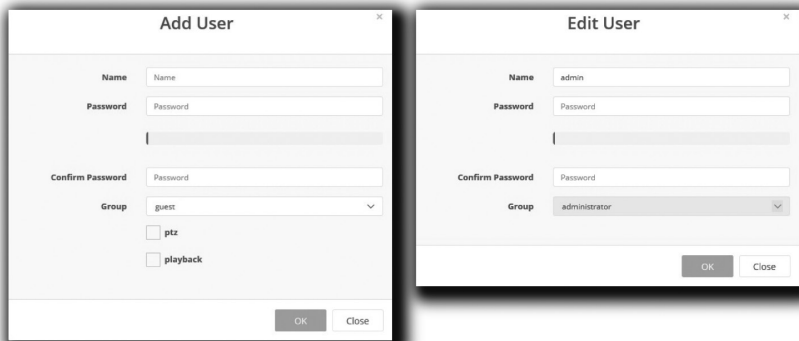
Add    Edit    Delete

Cliquez sur le bouton Add (Ajouter), Modify (Modifier) ou Remove (Supprimer) pour gérer le compte utilisateur.

## Ajouter

Pour ajouter un nouvel utilisateur :

1. Cliquez sur l'onglet Add (Ajouter) et tapez un nouveau nom d'utilisateur. (1 à 14 caractères alphanumériques). Les noms d'utilisateur ne sont pas sensibles à la casse.
2. Entrez un mot de passe et retapez-le dans Confirmer le mot de passe. (1 à 8 caractères alphanumériques). Les mots de passe sont sensibles à la casse.
3. Sélectionnez l'un des groupes que vous souhaitez attribuer à l'utilisateur et à l'autorité pour PTZ et lecture.
4. Cliquez sur le bouton OK pour sauvegarder les paramètres et ajoutez un nouvel utilisateur.



The image shows two side-by-side screenshots of user management windows. The left window is titled 'Add User' and contains fields for Name, Password, Confirm Password, and a Group dropdown menu. Below the Group dropdown are three checkboxes labeled 'ptz' and 'playback'. The right window is titled 'Edit User' and contains fields for Name (pre-filled with 'admin'), Password, Confirm Password, and a Group dropdown menu (pre-filled with 'administrator'). Both windows have 'OK' and 'Close' buttons at the bottom.

## Éditer

Pour modifier un utilisateur :

1. Sélectionnez l'un des noms d'utilisateur que vous souhaitez modifier dans la liste d'utilisateurs (User List).
2. Cliquez sur l'onglet Edit (Éditer) ; une nouvelle fenêtre pop-up s'affiche alors.
3. Entrez un mot de passe (1 à 8 caractères alphanumériques) et retapez-le dans Confirmer le mot de passe. **Le nom d'utilisateur ne peut être modifié.**
4. Sélectionnez l'un des groupes que vous souhaitez affecter à l'utilisateur.

5. Cliquez sur le bouton OK pour sauvegarder les paramètres et modifier un nouvel utilisateur.

### Supprimer

Pour supprimer un utilisateur :

1. Sélectionnez l'un des noms d'utilisateur à supprimer dans la liste d'utilisateurs.
2. Cliquez sur l'onglet Delete (supprimer). Une boîte de dialogue apparaît avec un message de confirmation.
3. Cliquez sur le bouton OK. Le profil de l'utilisateur est supprimé du profil de la liste d'utilisateurs.

### Date & heure

#### Heure actuelle

Indique la date et l'heure actuelles. Un clic sur SAUVEGARDER permet de mettre à jour et d'enregistrer la date et l'heure avec l'heure sélectionnée dans NEW TIME.

#### Nouvelle heure

Sélectionnez l'une des heures du serveur.

- Synchronize with computer time (Synchroniser avec l'heure de l'ordinateur) : obtient l'heure de l'ordinateur.
- Set manually (Définir manuellement) : définit manuellement la date et l'heure.
- Synchronize with NTP Server (Synchroniser avec le serveur NTP) : obtient l'heure du serveur NTP affecté à chaque heure dans INTERVAL. L'adresse IP ou le nom d'hôte du serveur NTP doit être spécifié dans le serveur de temps.

#### Fuseau horaire

Sélectionnez le fuseau horaire à référencer sur le serveur NTP où la caméra est installée. Marquer la case à cocher AUTOMATICALLY ADJUST FOR DAYLIGHT SAVING CHANGES pour mettre à jour automatiquement l'heure d'été

## Affichage du jour et de l'heure

Sélectionnez les formats de date et d'heure à afficher.

The screenshot shows the 'Date & Time' configuration page. The left sidebar has 'System' selected. The main area contains two sections: 'Current Time' and 'New Time'. The 'Current Time' section shows 'Date' as '01-01-1970' and 'Time' as '23:57:25'. The 'New Time' section has 'Synchronize with computer time' selected, with 'Date' as '13-01-2016' and 'Time' as '17:04:23'. Below this, there are options for 'Set manually' and 'Synchronize with NTP server'. A success message box is overlaid on the top right, stating 'Success This request has been performed without error' with a 'Save' button.

FR

## Réseau

Le serveur DHCP (Protocole de configuration dynamique de l'hôte) dispose d'une fonction affectant automatiquement une adresse IP à un dispositif, si ce dernier se trouve le réseau.

### Adresse IPv4

#### Obtenir l'adresse IP via le serveur DHCP :

Obtient l'adresse IP attribuée par le serveur DHCP (Dynamic Host Configuration Protocol).

**Statut :**

'Allocated' montre que l'adresse IP est obtenue auprès du DHCP.

**Adresse IP, Masque de sous-réseau, Passerelle :**

Affiche l'adresse IP actuelle qui est obtenue à partir du DHCP

**Utiliser l'adresse IP suivante :**

Cochez la case si vous souhaitez affecter l'adresse IP manuellement.

**Adresse IPv6**

Marquez la case à cocher ENABLE pour utiliser l'adresse IPv6 et cliquez sur le bouton SAVE (Sauvegarde) pour obtenir une nouvelle adresse IPv6.

**DNS****Obtenir l'adresse DNS via DHCP :**

Obtient l'adresse DNS automatiquement attribuée par le serveur DHCP.

**Utiliser l'adresse DNS suivante :**

Nécessite une entrée manuelle comme indiqué ci-dessous.

- NOM DE DOMAINE : saisissez le domaine pour le nom d'hôte
- SERVEUR DNS PRIMAIRE : entrez l'adresse IP du serveur DNS principal.
- SERVEUR DNS SECONDAIRE : entrez l'adresse IP du serveur DNS secondaire.

LIVE VIEW

PLAYBACK

**SETUP**

- Information
- Video & Image
- Audio
- Record
- Event
- System**
- Security
- Date & Time
- Network
- Language
- Maintenance

## Network

SETUP / System / Network Save

TCP/IP    DDNS    RTP    UPnP    Zeroconf    Bonjour

### IPv4 Address

Obtain IP address via DHCP server

**Status** Allocated

**IP address** 192 . 168 . 0 . 87

**Subnet mask** 255 . 255 . 255 . 0

**Gateway** 192 . 168 . 0 . 1

Use the following IP address

FR

## Complément d'information

Assurez-vous de toujours être à jour grâce à la dernière version du progiciel disponible depuis le site d'eneo sous [www.eneo-security.com](http://www.eneo-security.com) pour recevoir les dernières fonctionnalités de votre produit.

Le manuel utilisateur et d'autres outils logiciels sont disponibles sur le site web eneo à l'adresse : [www.eneo-security.com](http://www.eneo-security.com).

Des informations concernant les solutions logicielles de gestion vidéo compatibles sont disponibles dans la catégorie **Software** sur [www.eneo-security.com](http://www.eneo-security.com).

### INFORMATIONS RELATIVES AUX LICENCES DE LOGICIELS OPEN SOURCE

Les composants logiciels fournis avec les produits eneo peuvent contenir des logiciels protégés par des droits d'auteur et faisant l'objet de diverses licences Open source. Pour obtenir toutes les informations détaillées sur les progiciels Open source contenus, les versions des progiciels utilisées, les informations sur les licences et les clauses complètes des contrats de licence, veuillez consulter...

- les informations Open source comprises dans l'interface utilisateur de vos produits,
- les pages détaillées sur les produits figurant le site web eneo ([www.eneo-security.com](http://www.eneo-security.com))
- et le portail de téléchargement eneo (<https://datacloud.videor.com/s/eneo-downloadportal>). Si le lien précédent ne fonctionne plus, le lien le plus récent vers le portail de téléchargement eneo se trouve sur la page produit eneo correspondante à l'adresse suivante : **[www.eneo-security.com](http://www.eneo-security.com)**.
- Pack de téléchargement de votre progiciel. Les informations complètes sur la licence Open source de votre produit font partie du pack de téléchargement du logiciel correspondant qui se trouve sur notre portail de téléchargement

S'il vous manque des informations, veuillez contacter **[opensource@eneo-security.com](mailto:opensource@eneo-security.com)**, nous nous ferons un plaisir de vous fournir les informations manquantes et les mettrons également à la disposition du public.

Si vous souhaitez avoir accès aux composants Open source (codes sources) utilisés dans nos produits, veuillez contacter **[opensource@eneo-security.com](mailto:opensource@eneo-security.com)**.



## Indice

<b>Parti fornite</b> .....	<b>68</b>
<b>Denominazione dei componenti</b> .....	<b>69</b>
<b>Istruzioni per l'installazione</b> .....	<b>70</b>
Istruzioni per l'installazione.....	71
Regolazione della panoramica e dell'inclinazione.....	72
Istruzioni per l'installazione e la messa in funzione.....	73
Collegamento all'alimentazione .....	73
<b>Configurazione rapida della rete</b> .....	<b>74</b>
Descrizione del visualizzatore Web.....	75
Controllo del lettore e display .....	75
Controllo PTZ.....	76
Tabella del menu di impostazione.....	77
<b>Configurazione rapida</b> .....	<b>79</b>
Informazioni.....	79
Utenti .....	79
Add (Aggiungi).....	80
Edit (Modifica) .....	80
Delete (Elimina).....	81
Data / Ora .....	81
Current Time (Ora corrente).....	81
New Time (Nuova ora) .....	81
Time Zone (Fuso orario) .....	81
Day & Time Display (Visualizzazione data e ora).....	81
Rete.....	82
Indirizzo IPv4.....	82
Indirizzo IPv6.....	83
DNS .....	83
<b>Altre informazioni</b> .....	<b>84</b>

## Istruzioni per la sicurezza

### Istruzioni generali per la sicurezza

- Prima di collegare e mettere in funzione il sistema, leggete le istruzioni per la sicurezza e le istruzioni per l'uso.
- Conservate con cura le istruzioni per l'uso per un eventuale utilizzo futuro.
- Il montaggio, la messa in funzione e la manutenzione del sistema sono da eseguirsi solo da persone autorizzate e seguendo le relative istruzioni per l'installazione - nell'osservanza di tutte le norme e direttive parimenti applicabili.
- Proteggere le apparecchiature da infiltrazioni d'acqua ed umidità, si potrebbero provocare dei danni permanenti.
- Nel caso si sia comunque infiltrata dell'acqua, non accendere in nessun caso l'apparecchio in tali condizioni, ma portarlo per un controllo presso un centro di assistenza tecnica autorizzato.
- Il sistema non deve mai essere usato al di sopra delle sue capacità essendoci il rischio di distruzione.
- L'apparecchio deve essere protetto da elevati calori, dalla polvere e dalle vibrazioni.
- Per staccare la tensione di alimentazione dal sistema, estraete il cavo di alimentazione solo dalla spina. Mai estrarre direttamente sul cavo.
- Posate il cavo con cura assicurandovi che il medesimo non subisca sollecitazioni meccaniche, non venga piegato o danneggiato e non possa entrare umidità.
- Nel caso si verificano dei guasti funzionali, informate il Vostro fornitore.
- La manutenzione e le riparazioni possono essere eseguite solo da personale tecnico autorizzato.
- Prima di aprire la scatola è necessario staccare l'alimentazione di rete.
- L'apparecchio può essere aperto esclusivamente da personale qualificato dell'Assistenza. Eventuali interventi effettuati da persone non autorizzate fanno decadere la garanzia.
- I cavi di collegamento dovrebbero sempre essere sostituiti esclusivamente da VIDEOR E. Hartig GmbH.
- Usare esclusivamente parti di ricambio ed accessori originali della E. Hartig GmbH.
- Per la pulizia della scatola usare sempre prodotti non abrasivi. Mai usare diluenti o benzina, in quanto si rischia di causare un danneggiamento permanente della superficie.
- Durante l'installazione, è essenziale verificare che le guarnizioni fornite siano installate correttamente e che non si spostino durante l'installazione. Le guarnizioni danneggiate non devono più essere montate; annullano la garanzia.
- L'installatore è tenuto responsabile per il mantenimento del tipo di protezione secondo dati tecnici, ad es.: attraverso la sigillatura con silicone dell'uscita cavo.
- In caso di accorciamento del cavo flessibile di collegamento usare boccole terminali.
- Gli apparecchi possono funzionare solo entro i limiti di temperatura indicati nei dati tecnici e all'umidità ambiente definita.

### Istruzioni per la sicurezza del prodotto

- La telecamera non deve mai essere puntata direttamente verso il sole con il diaframma aperto (distruzione del sensore).
- È inevitabile che nel corso della fabbricazione e, in una certa misura, anche nell'uso successivo, sia presente nella scatola umidità dell'aria ambiente. In caso di forti sbalzi termici si può verificare una formazione di umidità nella scatola.
- Per evitare condensa all'interno della scatola sigillata, il produttore ha inserito bustine di gel di silice nella scatola dei vari tipi di telecamera.
- Tuttavia, per via delle leggi fisiche, dopo un determinato periodo di tempo queste bustine di gel di silice raggiungeranno la saturazione. Occorre pertanto sostituire la bustina di gel di silice con una nuova.
- Durante l'installazione, è essenziale verificare che le guarnizioni fornite siano installate correttamente e che non si spostino durante l'installazione. Le guarnizioni danneggiate non devono più essere montate; annullano la garanzia.
- In prossimità del proiettore IR si deve installare un separatore multipolare facilmente accessibile per scollegare il dispositivo dall'alimentazione per eseguire interventi di assistenza.
- Il collegamento del conduttore di protezione deve essere realizzato secondo DIN VDE 0100 a bassa resistenza.
- Un'eventuale verniciatura successiva della superficie apparecchio può influenzare il funzionamento.
- Qualsiasi diritto di garanzia viene invalidato dalla successiva verniciatura.

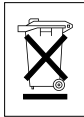
- Deve essere mantenuto un margine di sicurezza di > 1 m dal proiettore se si guarda direttamente nel proiettore IR in un ambiente buio.
- Non guardare direttamente le radiazioni LED invisibili utilizzando strumenti ottici (ad es. lente, lente di ingrandimento o microscopio) per prevenire danni agli occhi (LED classe 1M).
- È vietato il funzionamento del proiettore IR con copertura difettosa oppure in caso di riparazione.
- Assicuratevi di pulire la bolla della telecamera a cupola solo con panni in microfibra appositamente progettati. In caso contrario si rischia di danneggiare la bolla e di ridurre la qualità del video!

### Nota sui dispositivi di classe A

Questo è un apparecchio di classe A. Questo dispositivo può provocare malfunzionamenti nella abitazioni; in questo caso l'operatore deve intraprendere misure adeguate per prevenirli.

### WEEE (Waste Electrical & Electronic Equipment)

Corretto smaltimento del prodotto (da applicare nei Paesi dell'Unione Europea e altri Paesi europei con sistemi di raccolta separato).



Il contrassegno su prodotto oppure sulla relativa letteratura indica che lo smaltimento al termine della vita utile del prodotto non deve essere effettuato insieme ai normali rifiuti domestici. Effettuate lo smaltimento di questo apparecchio separatamente dagli altri rifiuti al fine di non danneggiare l'ambiente e la salute umana per incontrollato smaltimento di rifiuti. Riciclate l'apparecchio per promuovere il continuo riutilizzo di risorse materiali. Gli utenti privati devono contattare i Venditori, presso i quali è stato acquistato il prodotto, oppure le competenti Autorità per sapere come potere riciclare il prodotto in modo ecologico. Gli utenti industriali devono rivolgersi ai loro fornitori per consultare le condizioni del contratto di acquisto. Questo prodotto

non deve essere smaltito insieme ad altri rifiuti industriali.

## Simboli grafici

Prima dell'uso prestare attenzione alle istruzioni per la sicurezza e leggere attentamente e per intero il presente manuale di istruzioni.



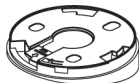
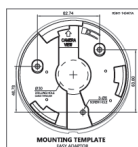
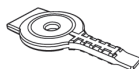
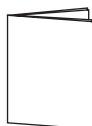
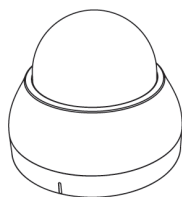
I punti importanti con gli avvisi sono contrassegnati con un simbolo di attenzione.



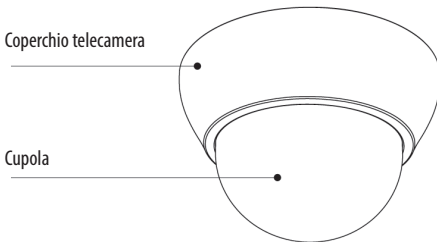
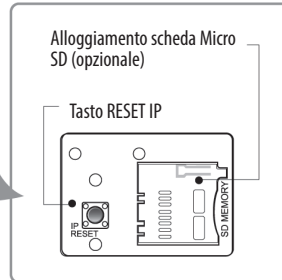
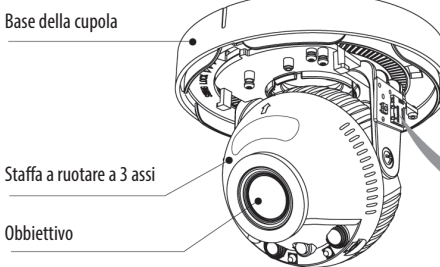
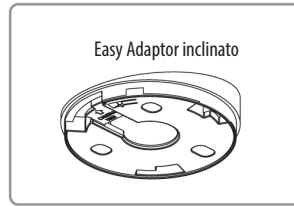
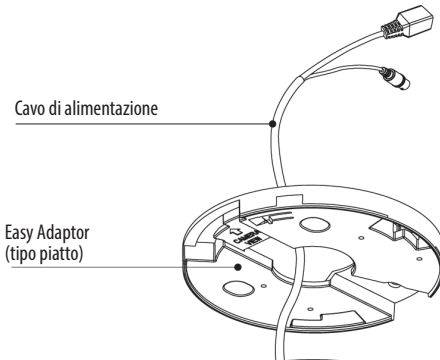
I punti importanti con i consigli sono contrassegnati con un simbolo di nota.

## Parti fornite

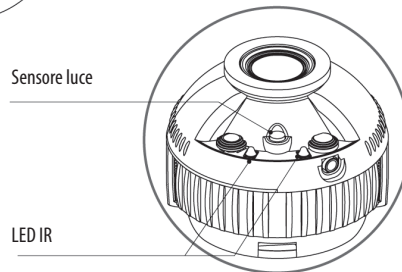
- Telecamera dome
- Istruzioni per l'uso
- Dima di montaggio
- Tasselli di plastica: 6 x 30 mm (3x)
- Viti di montaggio: 3,5 x 25 mm (3x)
- Dispositivo di apertura
- Easy Adaptor
- Adattatore inclinato



## Denominazione dei componenti



### IR-LED Type



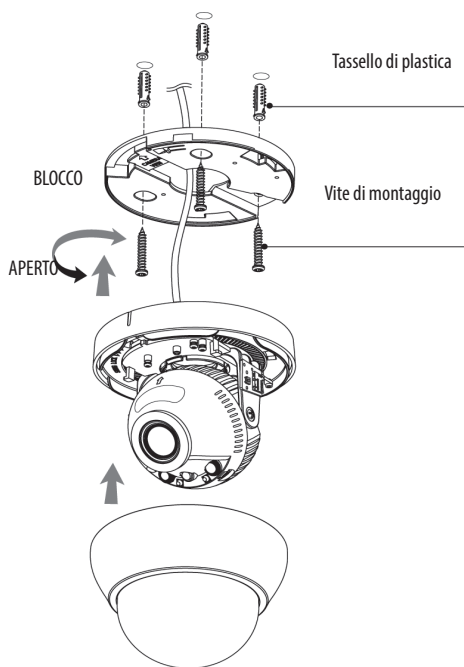
IT

## Istruzioni per l'installazione



**ATTENZIONE:** la base della telecamera deve essere fissata a un elemento strutturale, ad esempio cemento, legno duro, un montante o un travetto del soffitto che sostenga il peso della telecamera. Se necessario utilizzare materiale di montaggio adatto (ad es. tasselli) al posto del materiale fornito con la telecamera.

1. Fare tre fori per il fissaggio al soffitto o alla parete.
2. Fissare gli Easy Adaptor nella posizione di installazione con i fori preformati e fissarli con le viti di montaggio.
3. Collegare il cavo di alimentazione al relativo collegamento.
4. Disporre la base della telecamera dome sull'Easy Adaptor.
5. Regolare l'angolo di visualizzazione della telecamera (panoramica, inclinazione, rotazione)
6. Serrare la vite per fissare una piastra per la panoramica dopo la regolazione.
7. Assemble the dome cover to the dome base unit.



## Accessori di montaggio opzionali

Per informazioni sugli accessori di montaggio opzionali visitare il sito web eneo all'indirizzo [www.eneo-security.com](http://www.eneo-security.com).



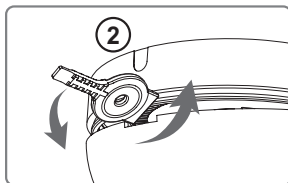
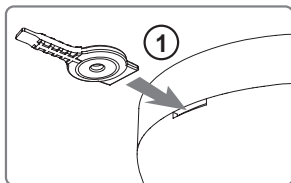
**ATTENZIONE:** in caso di montaggio a incasso / a muro / inclinato, la protezione IP non è garantita.

Se i connettori di alimentazione / video sono esposti ad acqua o pioggia, è essenziale uno schermo di protezione separato.

## Istruzioni per l'installazione

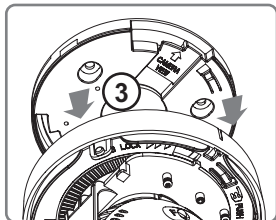
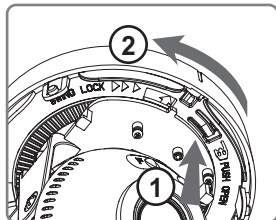
### Apertura del coperchio della cupola

1. Inserire il lato largo dell'attrezzo di apertura nella fessura del coperchio della cupola.
2. Tenendo la scatola con una mano, ruotare l'attrezzo di apertura finché il coperchio della cupola non è sufficientemente aperto.
3. Una volta che la base e il coperchio della cupola sono separati, premere sul bordo del coperchio e tirarlo verso il basso con le mani.



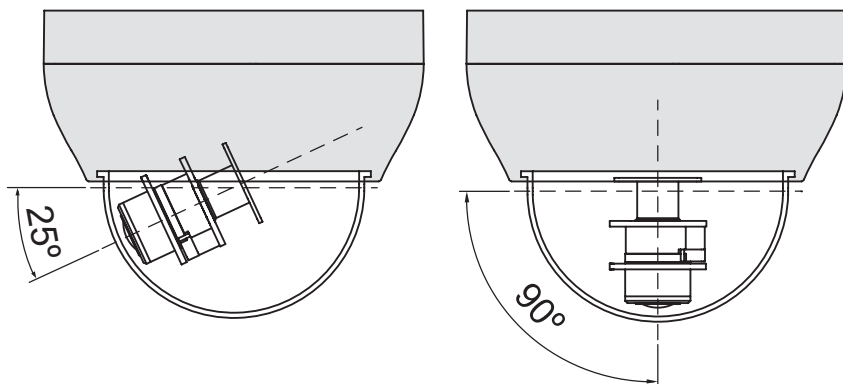
### Staccare la telecamera dome camera dall'Easy Adaptor.

Spingere il gancio sulla base della cupola e girare la base della cupola in senso antiorario. Quindi staccare la telecamera dome camera dall'Easy Adaptor installato.



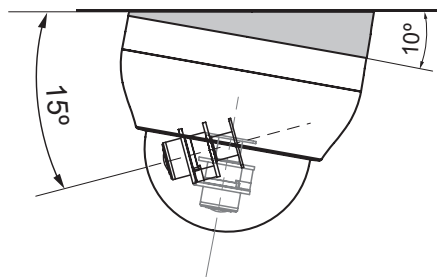
## Regolazione della panoramica e dell'inclinazione

1. Limite panoramica: la panoramica è limitata a +/- 165°. NON forzare la staffa a ruotare oltre il limite per evitare danni interni.
2. Limite inclinazione: l'inclinazione è limitata a 25° min ~ 90° max. rispetto al soffitto quando l'inclinazione del modulo telecamera è 0°, ossia l'immagine è disposta orizzontalmente.
3. Limite inclinazione (allineamento immagine orizzontale): l'inclinazione è limitata a +/- 60° max.



## Angolo di visualizzazione esteso

Easy Adaptor inclinato (optional)



**ATTENZIONE (solo tipo LED):**

Prestare attenzione ai LED IR quando si controlla staffa a ruotare a 3 assi.



Rimuovere l'adesivo dopo le regolazioni.



### ATTENZIONE:

Prestare attenzione a non torcere il cavo durante la regolazione della panoramica o dell'inclinazione.

Prestare estrema attenzione a NON graffiare la superficie della cupola durante le operazioni di installazione o regolazione.

Fare attenzione a NON danneggiare, piegare o avvicinare il cavo alla zona di pericolo.

Non esporre la telecamera a forti sorgenti di luce dirette quali il sole o faretto.

IT

## Istruzioni per l'installazione e la messa in funzione

1. Assicurarsi che l'alimentazione sia scollegata prima di procedere all'installazione.
2. Dopo aver effettuato correttamente tutti i collegamenti, riapplicare l'alimentazione nell'ordine indicato.

- Inserire il cavo di rete nella porta Ethernet RJ-45.  
Se PoE è l'unica alimentazione non sarà necessario collegare il terminale di alimentazione.
- Se è necessaria l'alimentazione locale 12 VCC, prima collegare la bassa tensione (12 VCC), quindi collegare l'adattatore CC alle prese CC per evitare reset errati dovuti a oscillazioni di tensione e danni provocati da sovratensione (a causa dell'assenza di carico).

Se PoE e l'alimentazione DC locale vengono collegati contemporaneamente, l'alimentazione locale ha la priorità.

## Collegamento all'alimentazione

La telecamera può essere alimentata a 12 VCC o PoE (IEEE Std. 802.3af). La messa a terra primaria e quella secondaria sono completamente isolate per evitare problemi di loop di messa a terra.

## Configurazione rapida della rete

1. Dopo che la telecamera è collegata alla rete, avviare il tool "**eneo Site Manager**" (scaricabile da [www.eneo-security.com](http://www.eneo-security.com)).
2. Viene visualizzato un elenco di telecamere collegate alla rete locale. Selezionare la telecamera dall'elenco e, facendo clic con il tasto destro del mouse, aprire il menu di scelta rapida.
3. Selezionare l'opzione "Set IP Address [dhcp / static]" (Imposta indirizzo IP [dhcp / static]) per aprire una finestra in cui impostare le proprietà IP della telecamera. Al termine fare clic sul pulsante "OK" per aggiornare le impostazioni della telecamera.
4. Per impostazione predefinita la telecamera è impostata su DHCP. Se nella rete non è presente un server DHCP, dopo qualche istante la telecamera torna all'indirizzo IP predefinito. In questo scenario si invita ad aggiungere alla rete una sola telecamera per volta per evitare conflitti dovuti a indirizzi IP identici.  
L'indirizzo IP predefinito della telecamera di rete è: **192.168.1.10**.
5. Facendo clic con il tasto destro del mouse sul nome del dispositivo nel tool eneo Site Manager si apre il menu di scelta rapida. Utilizzare l'opzione "**Open Device Web Site**" per accedere alla telecamera.
6. Si apre la pagina di accesso al visualizzatore Web nel browser predefinito. Nel caso di Microsoft Internet Explorer, installare l'Active-X denominato VIDEOR E. Hartig GmbH seguendo le istruzioni riportate nella parte inferiore del browser.
7. Utilizzare il nome utente e la password predefiniti per eseguire l'accesso.

Nome utente predefinito: admin

Password predefinita: admin



The screenshot shows the login interface of the eneo Site Manager. At the top left is the eneo logo, and at the top right is the text 'XXX-XXXXXXXXXX'. Below this is a login form with two input fields: the first is for the username, containing 'admin', and the second is for the password, containing six dots. Below the password field is a checkbox labeled 'Jump to setup' which is currently unchecked. At the bottom of the form is a dark button labeled 'Login'.

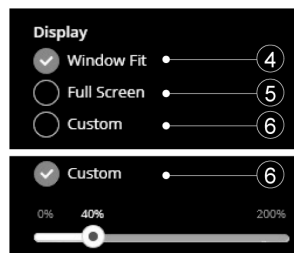
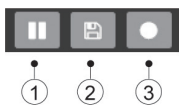
## Descrizione del visualizzatore Web



IT

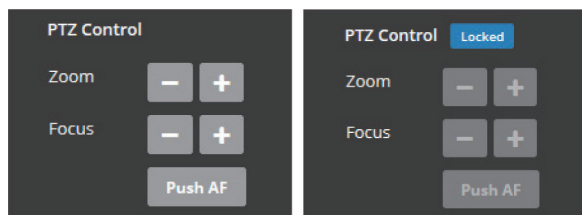
- (A) Pulsante Menu: fare clic sul pulsante per visualizzare o nascondere la barra del menu di impostazione.
- (B) Model name (Nome modello): mostra il nome del modello di telecamera collegata.
- (C) Select Language (Seleziona lingua): imposta la lingua del visualizzatore Web (inglese, tedesco o francese).
- (D) Barra del menu di impostazione principale: imposta le funzioni della telecamera o della rete.
- (E) Finestra di monitoraggio della telecamera: mostra la vista o la funzione della telecamera correntemente collegata.
- (F) Chiudere la sessione e uscire dal visualizzatore Web.

## Controllo del lettore e display



- (1) Pausa: mette in pausa la visualizzazione live.
- (2) Snapshot: cattura l'immagine in formato .jpg con la risoluzione dello stream corrente.
- (3) Registra: registra il video live in formato H.264 nella memoria presente, come SD, SDHC o SDXC, dallo stream video selezionato nel menu RECORD.
- (4) Window Fit (Adatta alla finestra): mostra la visualizzazione live in base alla dimensione della finestra.
- (5) Full Screen (Schermo intero): ridimensiona la visualizzazione live per adattarla alla risoluzione del monitor. Il tasto ESC torna alla vista precedente.
- (6) Custom (Personalizzato): consente di selezionare la scala di visualizzazione live, 0% ~ 200%, con la barra di controllo. 100% è la dimensione originale.

### Controllo PTZ



Zoom: controlla lo zoom ottico avanti / indietro per WIDE e TELE.

Focus (Messa a fuoco): regola manualmente la messa a fuoco dell'obiettivo per NEAR e FAR.

Push AF (Messa a fuoco automatica): consente di mettere a fuoco premendo un pulsante.

**i** ZOOM, FOCUS e PUSH AF sono disabilitati quando il controllo PTZ è bloccato. Il controllo PTZ può essere sbloccato in Setup>Video&Image>Image>AF>impostare Lens Locking (Blocco obiettivo) su OFF o TIMER.



**ATTENZIONE:** Impostare LENS LOCKING (Blocco obiettivo) in Setup>Video&Image>Image>AF>impostare Lens Locking su ON o TIMER dopo aver completato l'impostazione dell'obiettivo per prevenire un funzionamento indesiderato dell'obiettivo.

Non regolare lo zoom / messa a fuoco in condizioni di scarsa luminosità o in modalità notturna. La messa a fuoco potrebbe essere errata.

Per le versioni V/F motorizzate, la funzione Zoom / Focus è fortemente raccomandata solo per l'installazione. Le regolazioni frequenti di zoom / messa a fuoco possono ridurre la durata dell'obiettivo.

## Tabella del menu di impostazione

**IT**

Categoria	Menu	Configuration		
LIVE VIEW	Player Control	Pause, Snapshot, Record		
		Display (Window Fit, Full Screen, Custom)		
	Video Stream	Stream1, Stream2, Stream3		
	Protocol	HTTPS, HTTP, TCP, UDP		
	Controllo PTZ	Zoom, Focus, Push AF		
PLAYBACK	Event Search, Timeline Search, Timeline Bar			
SETUP	Information	General, System Information, Open source Information		
	Video & Image	Source		
		Stream1/2/3		
		Smart Video Stream	ROI(Region Of Interest), Dynamic GOP	
		Image	Basic	Brightness, Contrast, Saturation, Hue, Sharpness, Enable flip image, Enable mirror image
			OSD	Enable text OSD, Enable date&time OSD, Enable zoom&focus OSD, Mode
			AE	Mode, Slow Shutter, Luminance Compensation, Auto Iris, Auto Flicker-less, Shutter, Max. Shutter, Gain, Max. Gain
			AWB	Mode, RGain, GrGain, GbGain, BGain
			AF	Mode, Speed, Lens Locking, Lens Calibration, Enable Day&Night sync focus, Lens initialize on boot
			Day&Night	Mode, Switching time, Threshold (D->N), Threshold (N->D)
			WDR	WDR(Mode, Level), DWDR(Mode, Level), Defog(Mode, Level)
			BLC	BLC(Mode, Level), HLC(Mode)
			DNR	3DNR(Mode, Level)
			LDC	Mode, Level
		VerticalView	Mode, Rotation	
		Privacy Mask	Color, Name	
	Digital Zoom	Level		
DIS				

SETUP	Record	Record	Overwrite when storage is full, Continuous record setting
		Schedule	
		Recycling	Recycling Time Setting
		Storage	Format, Remove, Storage Information
	Event	Triggers	Motion, VCA, System, Manual, Network, Timer, Day/Night
		Actions	Record, E-Mail, FTP, Video Boost, Notification Server
		Rules	Event Processing, ONVIF Mapping
	Sistema	Security	User, HTTPS, IP Filter, ONVIF, Video Stream, Export/Import
		Date & Time	Current Time, New Time, Time Zone, Date & Time Display
		Rete	TCP/IP, DDNS, RTP, UPnP, Zeroconf, Bonjour
		Language	English, German, French, Korean
		Maintenance	Maintain (Restart, Reset, Default), Upgrade, Setup Export, Setup Import
		Log & Report	Logs (Database Capacity, Search Condition, Log List), Report
	4 EYES PRINCIPLE	Approval #1/2	
LOG OUT			

## Configurazione rapida

### Informazioni

Visualizza le informazioni generali sul sistema come il nome del modello, l'indirizzo MAC, l'indirizzo IP, l'indirizzo IP Zeroconf, la versione del firmware, l'ora del server, il tempo di esecuzione, l'utilizzo della CPU, la larghezza di banda in entrata / in uscita e l'elenco Open Source.

IT

Information  
SETUP / Information

General

Model	XXX-XXXXXXXXXX
MAC Address	78:C2:C0:21:9E:85
IP Address	192.168.0.19
Zeroconf IP Address	169.254.213.228
Hardware Version	XX
Firmware Version	X.X.X.XXX

### Utenti

Gestisce gli account utente per nome, gruppo e autorità.

USERS (Utenti): possono essere aggiunti, modificati o eliminati.

Security  
SETUP / System / Security

Users    HTTPS    IP Filter    ONVIF    Video Stream    Export / Import

#	Name	Group	Authority
1	admin	administrator	live, setup, system

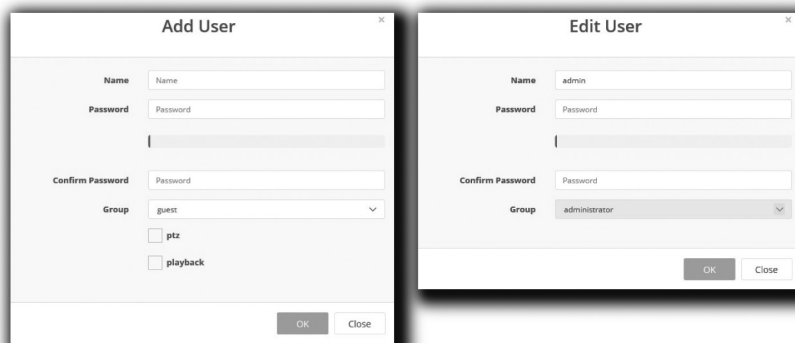
Add    Edit    Delete

Fare clic sui pulsanti Add (Aggiungi), Edit (Modifica) o "Delete" (Elimina) per gestire l'account utente.

### Add (Aggiungi)

Per aggiungere un nuovo utente:

1. Fare clic sulla scheda Add (Aggiungi) e digitare un nuovo nome utente (da 1 a 14 caratteri alfanumerici). I nomi utente non fanno differenza tra maiuscole e minuscole.
2. Digitare una password e ridigitarla per confermarla (da 1 a 8 caratteri alfanumerici). Le password fanno differenza tra maiuscole e minuscole.
3. Selezionare uno dei gruppi che si desidera assegnare all'utente e all'autorità per PTZ e riproduzione.
4. Fare clic sul pulsante OK per salvare le impostazioni e aggiungere un nuovo utente.



The image shows two side-by-side screenshots of user management windows. The left window is titled 'Add User' and contains the following fields: 'Name' (text input), 'Password' (text input), 'Confirm Password' (text input), and 'Group' (dropdown menu with 'guest' selected). Below the 'Group' dropdown are two checkboxes: 'ptz' and 'playback'. At the bottom right are 'OK' and 'Close' buttons. The right window is titled 'Edit User' and contains the following fields: 'Name' (text input with 'admin' entered), 'Password' (text input), 'Confirm Password' (text input), and 'Group' (dropdown menu with 'administrator' selected). At the bottom right are 'OK' and 'Close' buttons.

### Edit (Modifica)

Per modificare un utente:

1. Selezionare il nome utente da modificare dall'elenco degli utenti.
2. Fare clic sulla scheda Edit (Modifica); si apre una nuova finestra popup.
3. Digitare una password (da 1 a 8 caratteri alfanumerici) e ridigitarla per confermarla. **Non è possibile modificare il nome utente.**
4. Selezionare uno dei gruppi da assegnare all'utente.
5. Fare clic sul pulsante OK per salvare le impostazioni e modificare un utente.



## Delete (Elimina)

Per eliminare un utente:

1. Selezionare il nome utente da eliminare dall'elenco degli utenti.
2. Fare clic sulla scheda Delete (Elimina). Viene visualizzata una finestra di dialogo con il messaggio di conferma.
3. Fare clic sul pulsante OK. Il profilo utente viene rimosso dall'elenco.

IT

## Data / Ora

### Current Time (Ora corrente)

Indica la data e l'ora corrente. Facendo clic su SALVA si aggiorna e salva la data e l'ora con i valori selezionati in NEW TIME (Nuova data/ora).

### New Time (Nuova ora)

Selezionare uno dei seguenti orari del server.

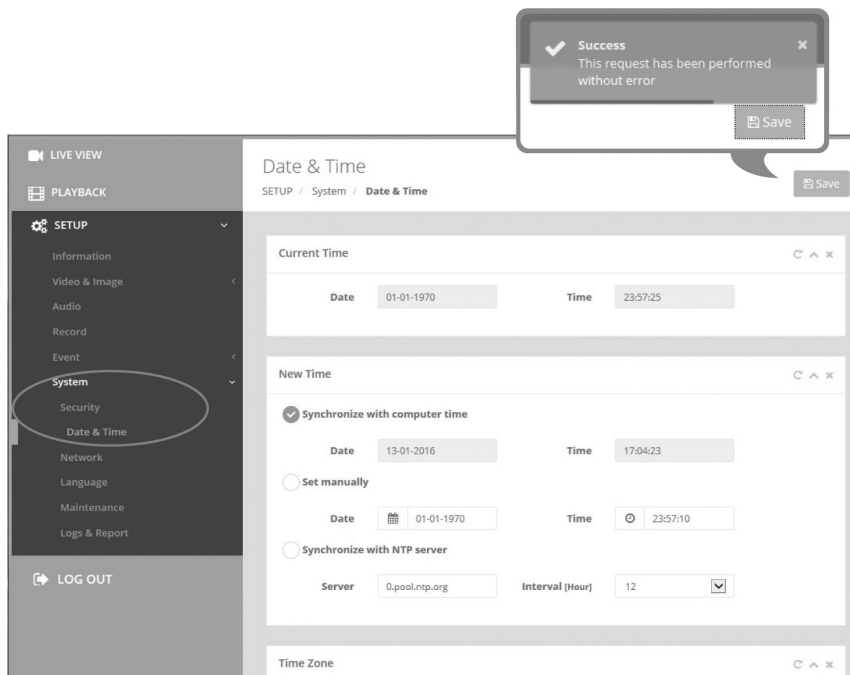
- Synchronize with computer time (Sincronizza con l'ora del computer): ottiene l'ora dal computer.
- Set manually (Imposta manualmente): imposta manualmente la data e l'ora.
- Synchronize with NTP Server (Sincronizza con il server NTP): ottiene l'ora dal server NTP assegnato ad ogni ora in INTERVAL (Intervallo). L'indirizzo IP del server NTP o il nome host deve essere specificato nel server di tempo.

### Time Zone (Fuso orario)

Selezionare il fuso orario da utilizzare sul server NTP in cui è installata la telecamera. Selezionare la casella di controllo AUTOMATICALLY ADJUST FOR DAYLIGHT SAVING CHANGES (Regola automaticamente per le modifiche dell'ora legale) per aggiornare automaticamente l'ora con l'ora legale.

### Day & Time Display (Visualizzazione data e ora)

Selezionare i formati data/ora da visualizzare.



## Rete

Il server DHCP (Dynamic Host Configuration Protocol) prevede una funzione che assegna automaticamente un indirizzo IP al dispositivo se vi è un dispositivo nella rete.

## Indirizzo IPv4

### Obtain IP address via DHCP (Ottieni indirizzo IP tramite DHCP):

Ottiene l'indirizzo IP assegnato dal server DHCP (Dynamic Host Configuration Protocol).

### Stato:

'Allocated' indica che l'indirizzo IP viene ottenuto dal DHCP.

### IP address (Indirizzo IP), Subnet mask, Gateway:

Mostra l'indirizzo IP corrente ottenuto da DHCP

### Use the following IP address (Utilizza il seguente indirizzo IP):

Selezionare questa casella per assegnare l'indirizzo IP manualmente.

#### Indirizzo IPv6

Selezionare la casella di controllo ENABLE (Consenti) per utilizzare l'indirizzo IPv6 e fare clic sul pulsante SAVE (Salve) per ricevere il nuovo indirizzo IPv6.

#### DNS

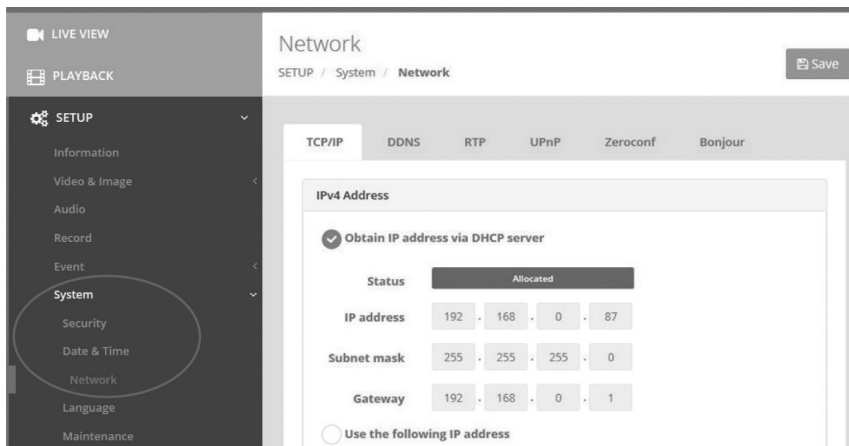
### Obtain DNS address via DHCP (Ottieni l'indirizzo DNS tramite DHCP):

Ottiene l'indirizzo DNS assegnato automaticamente dal server DHCP.

### Use the following DNS address (Utilizza il seguente indirizzo DNS):

Richiede l'immissione manuale come indicato di seguito.

- DOMAIN NAME (Nome dominio): immettere il dominio per il nome host
- PRIMARY DNS SERVER (Server DNS primario): immettere l'indirizzo IP del server DNS primario.
- SECONDARY DNS SERVER (Server DNS secondario): immettere l'indirizzo IP del server DNS secondario.



## Altre informazioni

Verificare sempre di aver eseguito l'upgrade all'ultima versione del firmware disponibile sul sito web eneo all'indirizzo [www.eneo-security.com](http://www.eneo-security.com) per disporre delle ultime funzioni del prodotto.

Il Manuale utente e altri strumenti software sono disponibili sul sito web eneo all'indirizzo [www.eneo-security.com](http://www.eneo-security.com).

Per informazioni sulle soluzioni software di video management compatibili vedere la categoria **Software** sul sito [www.eneo-security.com](http://www.eneo-security.com).

### INFORMAZIONI SULLE LICENZE SOFTWARE OPEN SOURCE

I componenti software forniti con i prodotti eneo possono contenere software protetto da copyright il cui utilizzo viene concesso con licenze open source. Per informazioni dettagliate sui pacchetti software open source contenuti, le versioni del pacchetto utilizzate, le informazioni di licenza e i termini di licenza completi, vedere...

- le informazioni open source incluse nell'interfaccia utente dei prodotti,
- le pagine dettagliate dei prodotti sul sito web di eneo ([www.eneo-security.com](http://www.eneo-security.com)),
- il portale di download eneo (<https://datacloud.videor.com/s/eneodownloadportal>). Se il link precedente non funziona, è possibile trovare il link più recente al portale di download di eneo sulla rispettiva pagina di prodotto eneo all'indirizzo [www.eneo-security.com](http://www.eneo-security.com).
- il pacchetto di download del firmware. Le informazioni di licenza software open source complete del prodotto sono incluse nel relativo pacchetto di download disponibile nel nostro portale di download.

Qualora mancassero informazioni, contattare [opensource@eneo-security.com](mailto:opensource@eneo-security.com). Saremo lieti di fornire le informazioni mancanti, rendendole anche disponibili al pubblico.

Per avere accesso ai componenti open source (codici sorgente) utilizzati nei nostri prodotti, contattare [opensource@eneo-security.com](mailto:opensource@eneo-security.com).









eneo® is a registered trademark of  
VIDEOR E. Hartig GmbH  
Exclusive distribution through specialised  
trade channels only.

VIDEOR E. Hartig GmbH  
Carl-Zeiss-Straße 8  
63322 Rödermark/Germany  
Tel. +49 (0) 6074 / 888-0  
Fax +49 (0) 6074 / 888-100  
[www.videor.com](http://www.videor.com)  
[www.eneo-security.com](http://www.eneo-security.com)

Technical changes reserved

© Copyright by VIDEOR E. Hartig GmbH  
Version 01/2021