




EN
DE
FR

Quick Installation Guide

**1/3" Network Dome, 2MP,
1920x1080, Day&Night, WDR,
3-9mm, AF Zoom, Outdoor**

IPD-72A0003M0A

Table of content

Parts supplied	5
Part names	6
Installation instructions	7
Pan & Tilt adjustments	8
 Description of the ZOOM&FOCUS adjustment by joystick.....	8
Power supply connections.....	9
Quick Network Setup	11
Web viewer description	12
Player control & Display	12
PTZ Control.....	13
Setup Menu Table	14
Quick Setup	16
Information	16
Users	16
Add	17
Edit.....	17
Delete	18
Date & Time	18
Current Time	18
New Time.....	18
Time Zone	18
Day & Time Display	19
Network	20
Further information	22

Safety instructions

EN

General safety instructions

- Before switching on and operating the system, first read this safety advice and the operating instructions.
- Keep the operating instructions in a safe place for later use.
- Installation, commissioning and maintenance of the system may only be carried out by authorised individuals and in accordance with the installation instructions - ensuring that all applicable standards and guidelines are followed.
- Protect the devices from water penetration and humidity, since these can cause lasting damage.
- Should moisture nevertheless enter the system, under no circumstance switch on the devices under these conditions, instead send them for examination to an authorised specialist workshop.
- The system must never be used outside of the technical specifications, since this can destroy it.
- The device must be protected from excesses of heat, dust, humidity and vibration.
- When separating the system from the voltage supply, only ever use the plug to pull out the cable. Never pull directly on the cable itself.
- Lay the connecting cables carefully and check that they are not mechanically stressed, kinked or damaged and that no humidity can penetrate into them.
- In the event of a malfunction, please inform your supplier.
- Maintenance and repairs may only be carried out by authorised specialist personnel.
- The system must be isolated from the power supply before opening the housing.
- The device may only be opened by qualified service personnel. Unauthorised access invalidates any warranty claim.
- Connection cables should always be exchanged through Videor E. Hartig GmbH.
- Use only original spare parts and accessories from Videor E. Hartig GmbH.
- The housing should only be cleaned using a mild domestic cleaning agent. Never use solvents or petrol as these can permanently damage the surface.
- During installation, it is essential to ensure that the seals provided are correctly installed and that they are not displaced during installation. Damaged seals must not be installed and will invalidate any warranty.
- The installer is responsible for the maintenance of the enclosure as per the technical data, e.g. by sealing the cable outlets with silicone.
- Wire end ferrules should be used when shortening the flexible connection cables.
- The devices may only be operated in the temperature range indicated in the data sheet and within the defined air humidity range.

Product - Specific Safety Instructions

- The camera may never be pointed directly at the Sun with the aperture open (this will destroy the sensor).
- It is unavoidable that during manufacture and to a certain extent during later use, humidity will be present in the ambient air within the device's housing. In the event of large temperature fluctuations, this humidity may condense inside the housing.
- To avoid this condensation inside the very tightly sealed housing, the manufacturer has inserted silica gel sachets in the housing of the various camera types.
- It is however a physical given, that these silica gel bags will reach saturation after a certain amount of time. They should therefore be replaced with new silica gel sachets.
- During installation, it is essential to ensure that the seals provided are correctly installed and that they are not displaced during installation. Damaged seals must not be installed and will invalidate any warranty.
- A multipolar, easily accessible isolation device should be installed in the proximity of the IR Spotlight, in order to disconnect the device from the power supply for service work.
- The earth connection must be made according to the low impedance requirement of DIN VDE 0100.
- Subsequent painting of the equipment surface can impair the function.
- Any warranty claim is invalidated by subsequent painting.
- A safety margin of > 1m from the spotlight must be maintained when viewing directly into the IR Spotlight in a darkened environment.
- Do not look directly at invisible LED radiation using optical instruments (e.g. a reading glass, magnifying glass or microscope), since this can endanger the eyes, LED Class 1M.
- Operation of the IR spotlight with a defective cover or during repair is prohibited.

Class A device note

This is a Class A device. This device can cause malfunctions in the living area; in such an event, the operator may need to take appropriate measures to compensate for these.

WEEE (Waste Electrical & Electronic Equipment)

Correct Disposal of This Product (Applicable in the European Union and other European countries with separate collection systems).



This marking shown on the product or its literature, indicates that it should not be disposed with other household wastes at the end of its working life. To prevent possible harm to the environment or human health from uncontrolled waste disposal, please separate this from other types of wastes and recycle it responsibly to promote the sustainable reuse of material resources. Household users should contact either the retailer where they purchased this product, or their local government office, for details of where and how they can take this item for environmentally safe recycling. Business users should contact their supplier and check the terms and conditions of the purchase contract. This product should not be mixed with other commercial wastes for disposal.

Graphical symbols

Please pay attention to the safety instructions, and carefully read through this instruction guide before initial operation.



Important points of warning are marked with a caution symbol.

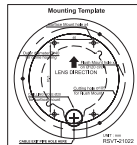
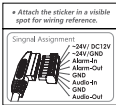
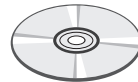
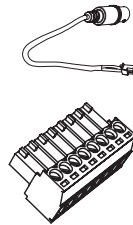
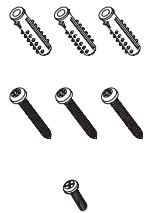
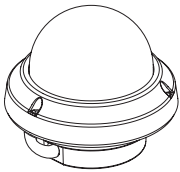


Important points of advice are marked with a notice symbol.

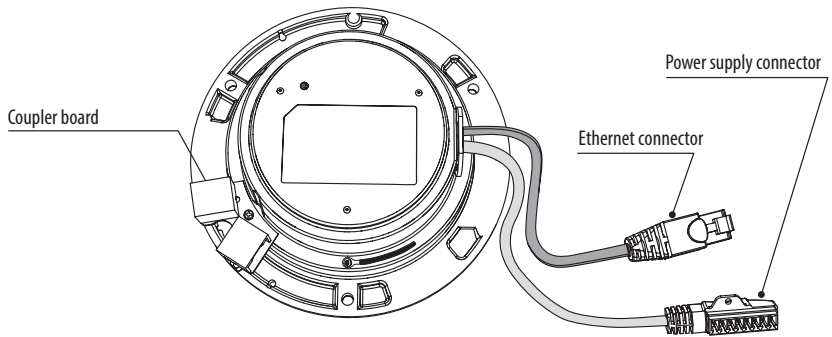
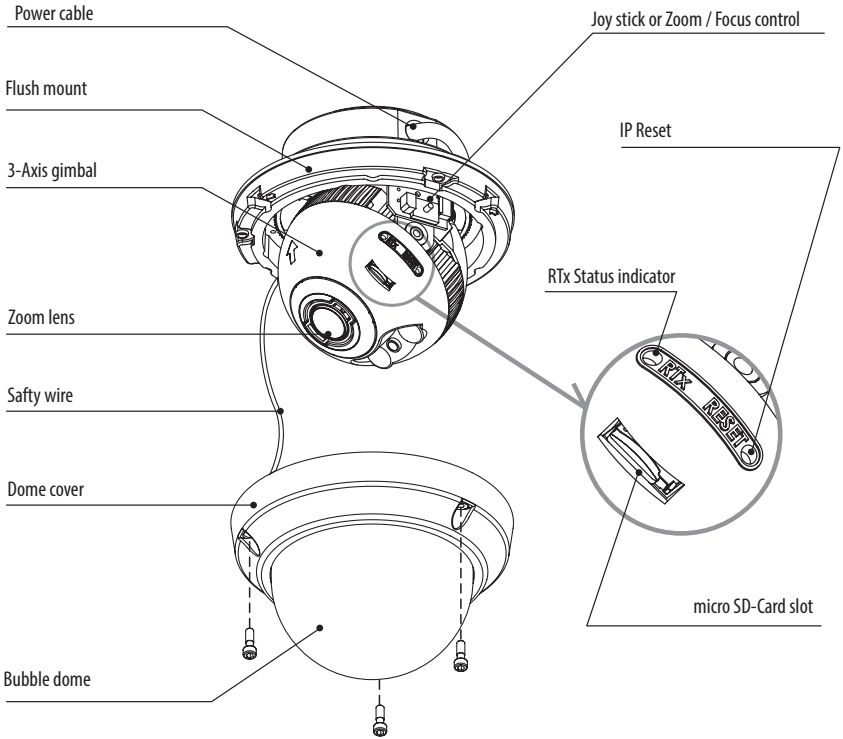
Parts supplied

- Dome Camera
- Operating Instruction
- CD
- Cable Signal Sticker
- Mounting Template
- Plastic Anchor: 6 x 30mm (3x)
- Mounting Screw: 4 x 30mm (3x)
- Connector fixing Screw: 2.5 x 5mm (1x)
- Torque Wrench: 3mm (1x)
- Wiring Connector (1x)

EN



Part names



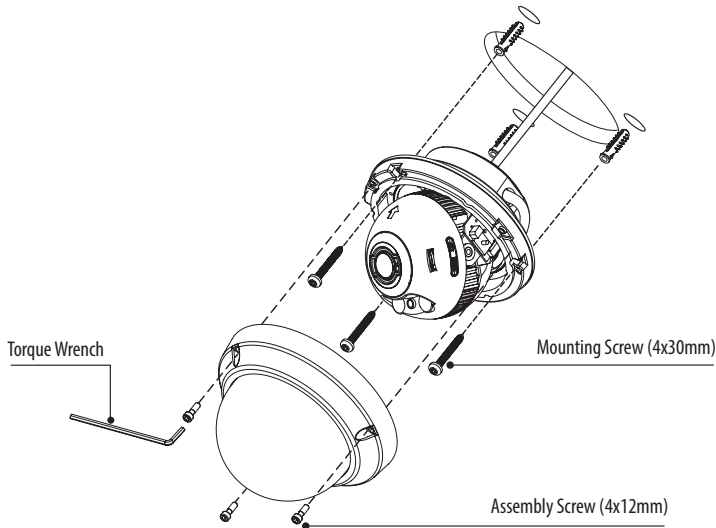
Installation instructions



CAUTION: The camera's base should be attached to a structural object, such as concrete, hard wood, wall stud or ceiling rafter that supports the weight of the camera. If necessary use appropriate mounting material (e.g. anchors) instead of the material enclosed with the camera.

EN

1. Locate the mounting template at the installation position and drill the ceiling or wall if needed.
2. Open the dome cover by loosening screws (4x12mm). Use the torque wrench supplied.
- Place the dome base unit on pre-drilled position and fix it through using mounting screws (4x30mm).
- Route the Ethernet & Power cable to the connecting place.
3. Connect the dome cable with the power source cable.
4. Set the camera's viewing angle.
5. Put the dome cover to the dome base unit and tighten the assembly screws.



Optional mounting accessories

For information on optional mounting accessories please visit the eneo website at www.eneo-security.com.

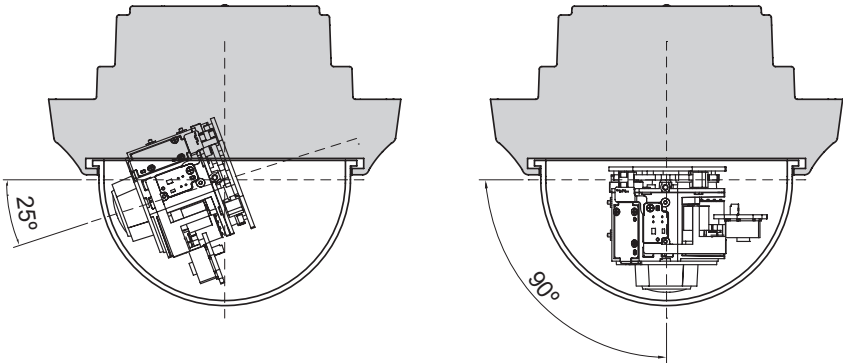
Pan & Tilt adjustments

1. Pan limit: Pan is limited to +/- 173°. Do NOT force to rotate the gimbal over the limit to prevent from the internal damage.
2. Tilt limit: Tilt is limited to 25° min ~ 90° max. with reference to the ceiling when the inclination of camera module is 0°, that is, the image is aligned horizontally.



CAUTION: Tilt may NOT reach 25° min. if some IR light reflects to the lens when the inclination is NOT 0°. When Tilt is set to near the minimum limit, examine and verify that NO IR reflection occurs.

3. Inclination limit (Horizontal image alignment): Inclination limited to +/- 50° max.



CAUTION:

Extreme care should be taken NOT to scratch the bubble dome surface while the camera installing or adjusting.

Care should be taken the cable is NOT to be damaged, kinked or exposed in the hazardous area.

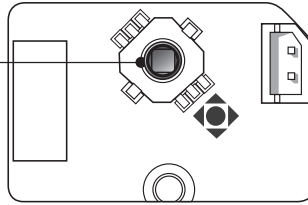
Tighten enough the dome cover fixing screws so that there should be NO gap between Lens hood and clear bubble to avoid the light inflow from IR LEDs.

Description of the ZOOM&FOCUS adjustment by joystick

1. ▲ : Zoom In
2. ▼ : Zoom Out
3. ◀ : Focus Near

4. ▶ : Focus Far

Joy stick for Zoom / Focus control



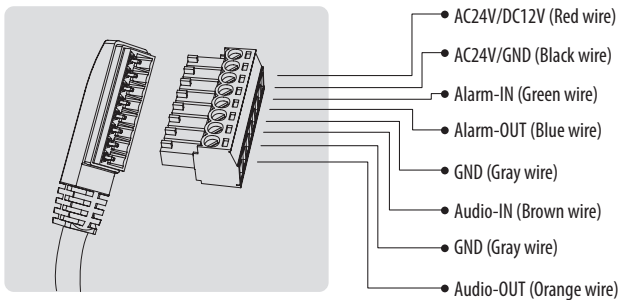
EN

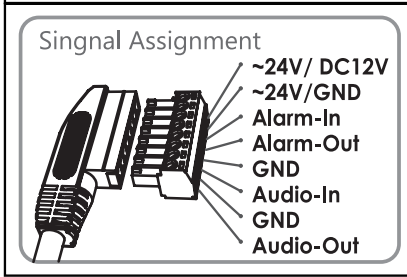
Power supply connections

Make sure the power is removed before the installation. Camera can work with either 24VAC or 12VDC, dual voltage power and PoE (IEEE Std. 802.3af). Primary and secondary grounds are completely isolated to avoid the possible ground loop problems.

1. Plug the network cable into RJ-45 Ethernet Port. If PoE is the unique power, there will be no need to connect Power terminal.
2. When DC12V or AC24V Local power is necessary, connect the low voltage (DC12V or AC24V) first, then plug the AC adapter to AC outlets to avoid an improper reset from power jitter and a damage from the surge voltage when no load.

i When PoE and local dual power are connected at the same time, local power has priority.





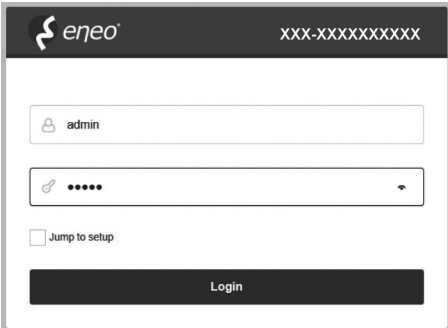
Attach the Signal Assignment Sticker in a visible spot for wiring reference.

Quick Network Setup

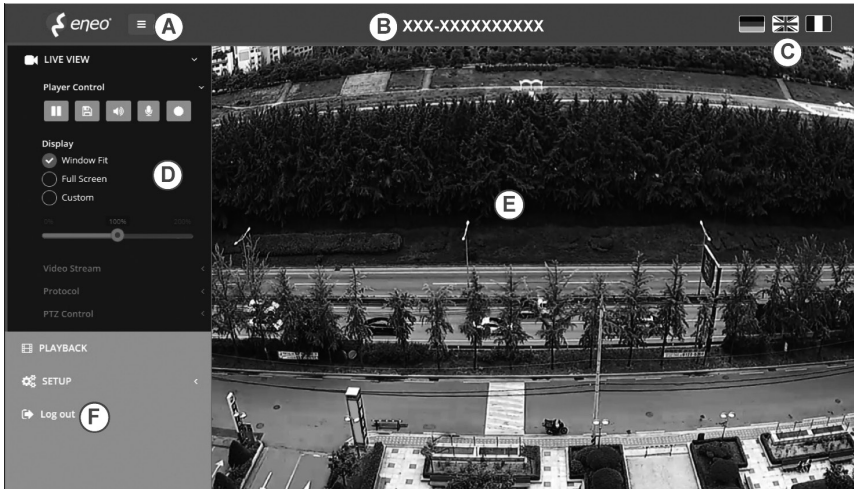
1. After the camera is connected to the network, start '*eneo Scan Device*' tool (en-closed CD).
2. Use the '*Scan eneo*' button to find the camera in your network.
3. By default the camera is set to DHCP. If there is no DHCP server present in the network the camera will fall back to a default IP address after a while. In this scenario please only add one camera at a time to the network to avoid conflicts due to identical IP addresses.
The network camera's default IP address is: **192.168.1.10**.
4. Right clicking the device name in the eneo Scan Device tool will bring up the context menu. Use the '*Open Device Web Site*' option to access the camera.
5. The web viewer login page will open up in your default web browser.
In case of Microsoft Internet Explorer install Active-X named VIDEOR E. Hartig GmbH according to the instruction at the bottom of the browser.
6. Use the default user name and password to log in.

Default user name: admin

Default password: admin

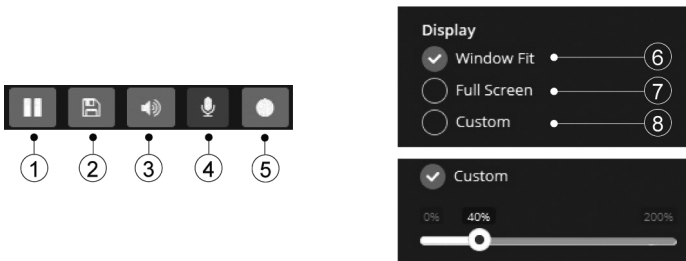


Web viewer description



- (A) Menu button : Click the button to show or hide the setup menu bar.
- (B) Model name : Show a camera model name connected.
- (C) Select Language : Set the web viewer language English, Deutsch or French.
- (D) Main setup menu bar : Set the camera or network functions.
- (E) Camera monitoring window: Display the currently connected camera view or function.
- (F) Log out and exit the web viewer

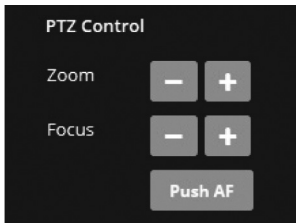
Player control & Display



- (1) Pause: Freeze the current video.
- (2) Snapshot: Take a picture of the video image currently on display. Supports the origin image size view, print, and save feature.
- (3) Speaker: Enable or disable the speaker.

- (4) Microphone: Enable or Disable the microphone.
- (5) Record: Record the current video on display.
- (6) Window Fit: Display live view to fit the window size.
- (7) Full Screen: Expand the current windows into maximum monitor size. Clicking ESC button or right button on mouse to back to the normal view.
- (8) Custom: Move the control bar to make preferred window size.

PTZ Control



Used to adjust zoom/focus manually or one-push focus automatically.

- Zoom: Adjusts camera image zoom in/out ratio manually.
- Focus: Adjusts camera image focus manually.
- Push AF: When Push AF command is sent, camera becomes Auto Focus mode to adjust focus position for a while.

i Note: Do not adjust zoom/focus at low light condition, night mode. It might cause erroneous focusing.

Setup Menu Table

Category	Menu	Configuration		
LIVE VIEW	Player Control	Pause, Snapshot, Speaker, Microphone, Record		
	Display	(Window Fit, Full Screen, Custom)		
	Video Stream	Stream1, Stream2, Stream3		
	Protocol	HTTP, TCP, UDP		
	PTZ Control	Zoom, Focus, Push AF		
PLAYBACK	Event Search, Timeline Search, Timeline Bar			
SETUP	Information	General, Open source Information		
	Video & Image	Source	Stream1/2/3	
		Image	Basic	Brightness, Brightness [Night], Saturation, Saturation [Night], Sharpness, Gamma, Enable flip image, Enable mirror image
			OSD	Enable text OSD, Enable date&time OSD, Enable zoom&focus OSD, Enable focus indicate OSD
			AE	Mode, Shutter, Iris, AGC, Slow shutter, Auto flicker-less, Motion Deblur
			AWB	Mode, Cb Gain, Cr Gain
			AF	Mode, Lens Initialize
			Day&Night	Mode, IR LED Control, Switching time, Threshold, Gap, Smart IR
			WDR	WDR(Mode, Level), Defog (Mode, Level)
			BLC	BLC (Mode, Level), HLC (Mode, Level)
			DNR	3DNR(Mode, Level)
			LDC	Mode, Level, Boundary Line
		Corridor	Mode, Rotation	
		Privacy Mask	Colour, Name	
		Digital Zoom	Level	
		Audio(*)		Compression, Sample rate, Bitrate, Input Volume, Output Volume
		Record	Record	Overwrite when storage is full, Continuous record setting
			Schedule	
			Storage	Format, Remove, Storage Information

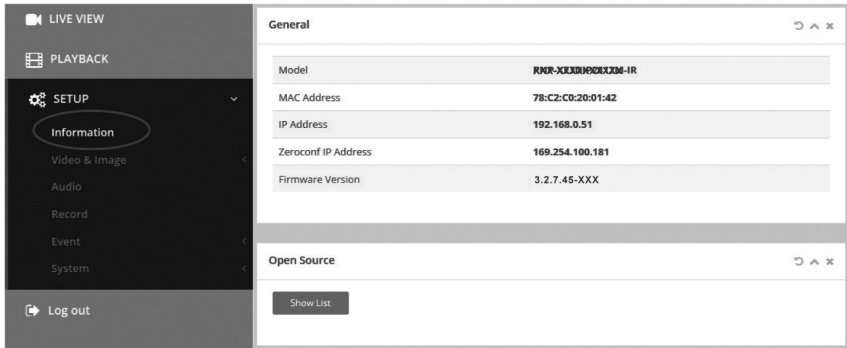
	PTZ	Preset	Preset, Home
	Event	Triggers	Motion, Tamper, VCA, Alarm In(*), System, Manual, Network
		Actions	Record, Alarm Out(*), E-Mail, FTP, Video Boost, PTZ Preset
		Rules	Event Processing, ONVIF Mapping
	System	Security	User, HTTPS, IP Filter, ONVIF
		Date & Time	Current Time, New Time, Time Zone, Date & Time Display
		Network	TCP/IP, DDNS, RTP, UPnP, Zeroconf, Bonjour
		Language	English, German, French, Korean
		Maintenance	Maintain(Restart, Reset, Default), Upgrade, Setup Export, Setup Import
		Log & Report	System Log, Event Log, Report
Log out			

(*) Option depending on model

Quick Setup

Information

The Information shows the camera basic information such as Model name, MAC address, IP address, Zeroconf IP address and Firmware version.



The screenshot displays the camera's web interface. On the left is a dark sidebar with navigation options: LIVE VIEW, PLAYBACK, SETUP (with a gear icon), Information (circled in red), Video & Image, Audio, Record, Event, System, and Log out. The main content area is titled 'General' and contains a table of camera information:

Model	RNR-XD0000000000-IR
MAC Address	78:C2:C0:20:01:42
IP Address	192.168.0.51
Zeroconf IP Address	169.254.100.181
Firmware Version	3.2.7.45-XXX

Below the table is an 'Open Source' section with a 'Show List' button.

Users

User accounts can be added or modified or removed. The authority depends upon user group automatically and shows the permission status to access the menus.

- Name: Shows the name which registered to access the camera.
- Group: Shows the assigned permission given to users.
- Authority: Shows the permission status to access the menus.



Click the Add, Edit, or Delete button for managing user account.

Add

To add a new user:

1. Click the Add tab, and type a new user name. (1 to 14 alphanumeric characters). User names are not case sensitive.
2. Type a password and retype confirm password. (1 to 8 alphanumeric characters). Passwords are case sensitive.
3. Select one of the groups you wish to assign to the user.
4. Click the OK button to save the settings and add a new user.

Add User

Name

Password

Confirm Password

Group ▼

Edit User

Name

Password

Confirm Password

Group ▼

Edit

To edit a user:

1. Select one of the User Names in the User List you want to modify.

2. Click the Edit tab, then new pop-up window appears.
3. Type a password (1 to 8 alphanumeric characters) and retype confirm password.
The user name can't be modified.
4. Select one of the groups you wish to assign to the user.
5. Click the OK button to save the settings and modify a user.

Delete

To delete a user:

1. Select one of the User Names in the User List you want to remove.
2. Click the Delete tab. A dialogue box appears with confirmation message.
3. Click the OK button. The user profile is removed from the User List profile.

Date & Time

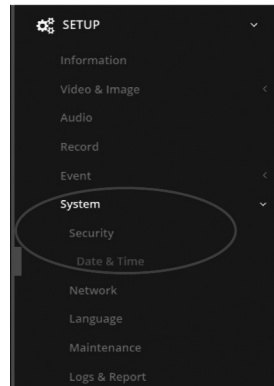
Current Time

Shows the current date and time.

New Time

Select one of the server time.

- Synchronize with computer time: Sets the time according to the clock on your computer.
- Set manually: Using this option allows you to manually enter the date and time.
- Synchronize with NTP Server: This option will obtain the correct time from an NTP server every 60 minutes. The NTP server's IP address or host name is specified in the time server.



Time Zone

Select the time zone where your camera is located. Click the "Automatically adjust for daylight saving changes" checkbox to automatically update the time changes caused by daylight saving.

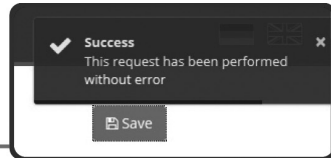
Time zone: The default setting is GMT.

Day & Time Display

Select one of the Date and Time format.

- Date Format: The default setting is YYYY-MM-DD.
- Time Format: The default setting is 24 hours.

EN



Date & Time

SETUP / System / Date & Time

Save

Current Time C ^ x

Date: 2015-10-06 Time: 11:46:11

New Time C ^ x

Synchronize with computer time

Date: 2015-10-06 Time: 11:46:16

Set manually

Date: Time:

Synchronize with NTP server

Server: Interval [Hour]:

Time Zone C ^ x

(GMT) Greenwich Mean Time : Dublin, Edinburgh, Lisbon, London

Automatically adjustment for daylight saving time changes

Date & Time Display C ^ x

Date Format:

Time Format:

Network

The DHCP (Dynamic Host Configuration Protocol) server has a feature that automatically assigns an IP address to the device if there is a device on the network.

Obtain IP address via DHCP :

Select the choice box if you want to assign the IP address from DHCP server automatically, and then the remaining setting are read-only text.

Use the following IP address:

Select the choice box if you want to assign the IP address manually.

IP address:

The address of the camera connected to the network. Specify a unique IP address for this network camera.

Subnet mask:

The address that determines the IP network that the camera is connected to (relative to its address). Specify the mask for the subnet the network camera is located on.

Gateway:

The gateway that accesses other networks. Specify the IP address of the default router (Gateway) used for connecting devices attached to different networks and network segments.

SETUP

- Information
- Video & Image
- Audio
- Record
- Event
- System**
 - Security
 - Date & Time
 - Network**
 - Language
 - Maintenance
 - Logs & Report

Network

SETUP / System / **Network**

Save

TCP/IP
DDNS
RTP
UPnP
Zeroconf
Bonjour

IPv4 Address

Obtain IP address via DHCP server
 Use the following IP address

IP address	192	.	168	.	1	.	10
Subnet mask	255	.	255	.	255	.	0
Gateway	192	.	168	.	1	.	1


Further information

Make sure to always upgrade to the latest firmware version available from the eneo website at www.eneo-security.com to receive the latest functionality for your product.

The manual, and other software tools are available on the eneo website at www.eneo-security.com or on the included CD.

Information on compatible video management software solutions can be found in the category ***Videomanagement*** at www.eneo-security.com.

Inhalt

Lieferumfang	26
Bezeichnungen von Gerätekomponenten	27
Installationsanweisungen	28
Einstellung von Schwenkung und Neigung.....	29
 Beschreibung der Zoom- & Fokus-Einstellung mit dem Joystick	30
Stromversorgungsanschlüsse.....	30
Schnelle Netzwerkkonfiguration	32
Beschreibung des Web-Viewers	33
Player-Steuerung & Anzeige	33
PTZ-Steuerung	34
Übersicht des Konfigurationsmenüs.....	35
Schnellkonfiguration	37
Information	37
Benutzer	37
Hinzufügen	38
Bearbeiten	39
Entfernen.....	39
Datum/Uhrzeit	39
Aktuelle Uhrzeit	39
Neue Uhrzeit	39
Time Zone (Zeitzone).....	40
Datum- & Uhrzeitanzeige.....	40
Netzwerk	41
Weitere Informationen	43

Sicherheitsanweisungen

Sicherheitshinweise allgemein

- Bevor Sie das System anschließen und in Betrieb nehmen, lesen Sie zuerst diese Sicherheitshinweise und die Betriebsanleitung.
- Bewahren Sie die Betriebsanleitung sorgfältig zur späteren Verwendung auf.
- Montage, Inbetriebnahme und Wartung des Systems darf nur durch dafür autorisierte Personen vorgenommen und entsprechend den Installationsanweisungen - unter Beachtung aller mitgeltenden Normen und Richtlinien - durchgeführt werden.
- Die Geräte gegen Eindringen von Wasser und Feuchtigkeit schützen, dies kann zu dauerhaften Schäden führen.
- Sollte dennoch Feuchtigkeit eingedrungen sein, die Geräte nie unter diesen Bedingungen einschalten, sondern zur Überprüfung an eine autorisierte Fachwerkstatt geben.
- Das System darf nie außerhalb der technischen Daten benutzt werden, da es zerstört werden kann.
- Das Gerät ist vor großer Hitze, Staub, Feuchtigkeit und Vibrationseinwirkung zu schützen.
- Um das System von der Versorgungsspannung zu trennen, ziehen Sie das Kabel nur am Stecker heraus. Ziehen Sie nie direkt am Kabel.
- Verlegen Sie die Verbindungskabel sorgfältig und stellen Sie sicher, dass die Kabel nicht mechanisch beansprucht, geknickt oder beschädigt werden und keine Feuchtigkeit eindringen kann.
- Falls Funktionsstörungen auftreten, benachrichtigen Sie bitte Ihren Lieferanten.
- Wartung und Reparaturen dürfen nur von autorisiertem Fachpersonal ausgeführt werden.
- Vor Öffnen des Gehäuses ist eine Netztrennung erforderlich.
- Das Gerät darf nur von qualifiziertem Servicepersonal geöffnet werden. Fremdeingriffe beenden jeden Garantieanspruch.
- Anschlusskabel sollten immer nur durch VIDEOR E. Hartig GmbH ausgetauscht werden.
- Verwenden Sie nur Originalersatzteile und Original-Zubehör von Videor E. Hartig GmbH.
- Zur Reinigung der Gehäuse immer nur ein mildes Haushaltsmittel verwenden. Niemals Verdüner oder Benzin benutzen, dies kann die Oberfläche dauerhaft schädigen.
- Bei der Montage muss grundsätzlich darauf geachtet werden, dass vorhandene Dichtungen ordnungsgemäß eingesetzt und bei der Montage nicht verschoben werden. Beschädigte Dichtungen dürfen nicht mehr verbaut werden und führen zum Erlöschen des Garantieanspruchs.
- Der Errichter ist für die Aufrechterhaltung der Schutzart lt. Techn. Daten verantwortlich, z.B. durch Abdichtung des Kabelaustritts mit Silikon.
- Bei Kürzung von flexiblen Anschlussleitung sind Adernendhülsen zu verwenden.
- Die Geräte dürfen nur in den im Datenblatt angegebenen Temperaturbereiche und der definierten Umgebungsluftfeuchte betrieben werden.

Sicherheitshinweise produktbezogen:

- Die Kamera darf nie mit geöffneter Blende direkt gegen die Sonne gerichtet werden (dies zerstört den Sensor).
- Es lässt sich nicht vermeiden, dass im Rahmen der Fertigung und auch beim späteren Gebrauch in gewissem Umfang Feuchtigkeit der Umgebungsluft im Gehäuse vorhanden ist. Bei starken Temperaturschwankungen kann sich die Feuchtigkeit im Gehäuse niederschlagen.
- Um dies in dem sehr dicht abschließenden Gehäuse zu vermeiden, hat der Hersteller bei verschiedenen Kameratypen Silicagel-Beutel in das Kameragehäuse eingelegt.
- Es ist eine physikalische Gegebenheit, dass diese Silicagel-Beutel nach einer gewissen Zeit eine Sättigung erreichen. Sie sollten deshalb gegen neue Silicagel-Beutel ausgetauscht werden.
- Bei der Montage muss grundsätzlich darauf geachtet werden, dass vorhandene Dichtungen ordnungsgemäß eingesetzt und bei der Montage nicht verschoben werden. Beschädigte Dichtungen dürfen nicht mehr verbaut werden und führen zum Erlöschen des Garantieanspruchs.
- In der Nähe des IR-Scheinwerfers ist eine vielpolige, leicht zugängliche Trennvorrichtung zu installieren, um das Gerät bei Servicearbeiten frei schalten zu können.
- Die Schutzleiterverbindung muss nach DIN VDE 0100 entsprechend niederohmig ausgeführt werden.
- Nachträgliches Lackieren der Geräteoberfläche kann die Funktion beeinträchtigen.
- Durch das Nachlackieren erlischt jeglicher Gewährleistungsanspruch.

- Bei abgedunkelter Umgebung und direktem Blick in den IR-Scheinwerfer ist ein Sicherheitsabstand von > 1 m zum Scheinwerfer einzuhalten.
- Unsichtbare LED Strahlung nicht direkt mit optischen Instrumenten (z.B. Lupe, Vergrößerungsglas oder Mikroskop) betrachten, da sie eine Augengefährdung verursachen kann, LED Klasse 1M.
- Der Betrieb des IR-Scheinwerfers bei defekter Abdeckung oder bei Reparatur ist untersagt.

Hinweis für Geräte der Klasse A

Dies ist ein Gerät der Klasse A. Dieses Gerät kann im Wohnbereich Funktionsstörungen verursachen; in diesem Fall kann vom Betreiber verlangt werden, angemessene Maßnahmen durchzuführen und dafür aufzukommen.

DE

WEEE-Richtlinie (Elektro- und Elektronik-Altgeräte)

Ordnungsgemäße Entsorgung dieses Produkts (Gilt für die Europäische Union und anderen Europäischen Länder mit getrennten Sammelsystemen)



Dieses am Produkt oder in seiner Dokumentation gezeigte Symbol bedeutet, dass es am Ende seiner Lebensdauer nicht mit dem Hausmüll entsorgt werden darf. Um eventuelle Umwelt- oder Gesundheitsschäden durch unkontrollierte Abfallbeseitigung zu verhindern, dieses Gerät von anderen Abfallarten trennen und ordnungsgemäß recyceln, um die nachhaltige Wiederverwendung materieller Ressourcen zu fördern. Haushaltsanwender sollten entweder den Händler, bei dem sie dieses Produkt gekauft haben, oder ihr örtliches Regierungsbüro kontaktieren, um Einzelheiten darüber zu erfahren, wo und wie sie dieses Gerät umweltgerecht recyceln können. Geschäftliche Anwender sollten sich an ihren Lieferanten wenden und die Bedingungen des

Kaufvertrags überprüfen. Dieses Produkt darf zur Entsorgung nicht mit anderen Unternehmensabfällen vermischt werden.

Grafische Symbole

Bitte beachten Sie die Sicherheitshinweise und lesen Sie diese Anleitung vor Inbetriebnahme sorgfältig durch.



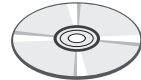
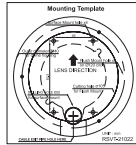
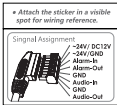
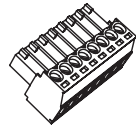
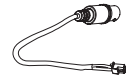
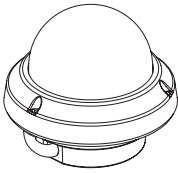
Wichtige Warnhinweise sind mit einem Achtung-Symbol gekennzeichnet.



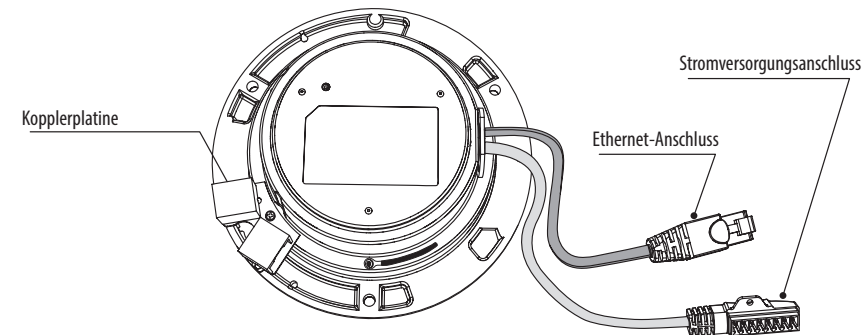
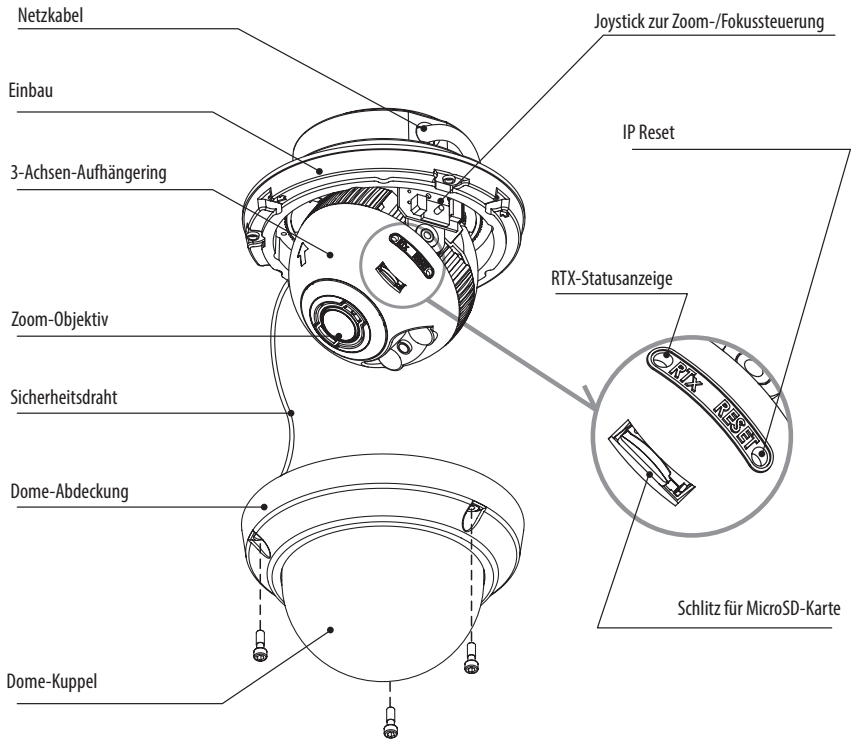
Wichtige Hinweise sind mit einem Hinweis-Symbol gekennzeichnet.

Lieferumfang

- Dome-Kamera
- Betriebsanleitung
- CD
- Kabelsignal-Aufkleber
- Bohrschablone
- Kunststoffdübel: 6 x 30mm (3x)
- Befestigungsschraube: 4 x 30mm (3x)
- Anschluss-Befestigungsschraube: 2,5 x 5mm (1x)
- Inbusschlüssel: 3mm (1x)
- Steckverbinder (1x)



Bezeichnungen von Gerätekomponenten



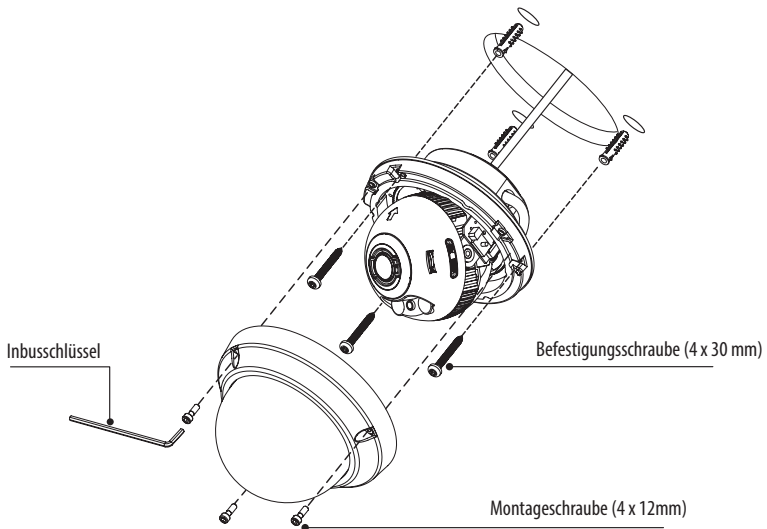
DE

Installationsanweisungen



ACHTUNG: Die Kamerahalterung sollte an einem Bauelement wie etwa Beton, Hartholz, einem Wandständer oder Deckenbalken befestigt werden, welches das Gewicht der Kamera trägt. Verwenden Sie, falls erforderlich, geeignetes Befestigungsmaterial (z.B. Dübel) anstelle des mitgelieferten Materials.

1. Halten Sie die Bohrschablone an die Installationsstelle und bohren Sie die Löcher in Decke oder Wand, falls erforderlich.
2. Öffnen Sie die Dome-Abdeckung durch Lösen der Schrauben (4 x 12mm). Verwenden Sie den mitgelieferten Inbusschlüssel.
- Setzen Sie die Dome-Basis an die Stelle mit den vorgebohrten Löchern und befestigen Sie sie mit den Befestigungsschrauben (4 x 30 mm).
- Verbinden Sie das Ethernet- und Spannungsversorgungskabel mit den jeweiligen Anschlüssen.
3. Verbinden Sie das Dome-Kabel mit dem Spannungsversorgungskabel.
4. Stellen Sie den Betrachtungswinkel der Kamera ein.
5. Setzen Sie die Dome-Abdeckung auf die Dome-Basis und ziehen Sie die Montageschrauben fest.



Optionales Montagezubehör

Für weitere Informationen zu optionalem Montagezubehör besuchen Sie bitte die eneo Webseite unter www.eneo-security.com.

Einstellung von Schwenkung und Neigung

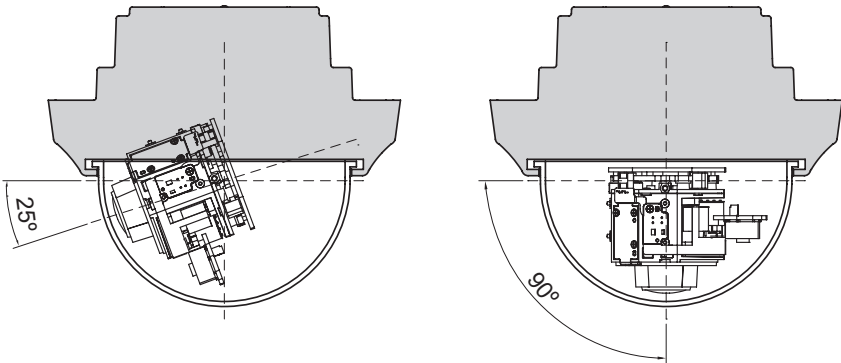
DE

1. Schwenkwinkel: Der Schwenkwinkel ist auf $\pm 173^\circ$ begrenzt. Den Aufhängebügel nicht über den Anschlag hinausdrücken, da sonst interne Beschädigungen auftreten können.
2. Neigungswinkel: Die Neigung ist auf min. 25° bis max. 90° begrenzt, wobei vorausgesetzt wird, dass die Neigung des Kameramoduls in Bezug auf die Decke 0° ist, d.h., dass das Bild horizontal ausgerichtet ist.



ACHTUNG: Die Neigung darf den Mindestwinkel von 25° nicht erreichen, wenn IR-Licht zum Objektiv reflektiert wird, wenn die Neigung NICHT 0° ist. Wenn die Neigung nahe des Mindestwinkels eingestellt ist, prüfen und sicherstellen, dass KEINE IR-Reflexion auftritt.

3. Drehwinkel (horizontale Bildausrichtung): Der Drehwinkel ist begrenzt auf max. $\pm 50^\circ$.





ACHTUNG:

Achten Sie besonders darauf, die Abdeckkuppel der Dome-Kamera während der Installation oder der Einstellung NICHT zu verkratzen.

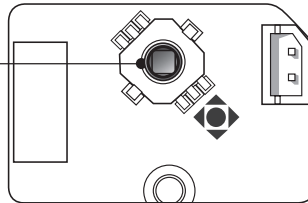
Es muss sorgfältig darauf geachtet werden, das Kabel NICHT zu beschädigen, zu knicken oder Gefahrenbereichen auszusetzen.

Ziehen sie die Befestigungsschrauben der Dome-Abdeckung so fest, dass KEIN Spalt zwischen der Streulichtblende und der transparenten Kuppel bleibt, um eine Lichteinstrahlung der IR-LEDs in das Objektiv zu vermeiden.

Beschreibung der Zoom- & Fokus-Einstellung mit dem Joystick

1. ▲ : Heranzoomen
2. ▼ : Herauszoomen
3. ◀ : Fokus nah
4. ▶ : Fokus fern

Joystick zur Zoom-/Fokussteuerung



Stromversorgungsanschlüsse

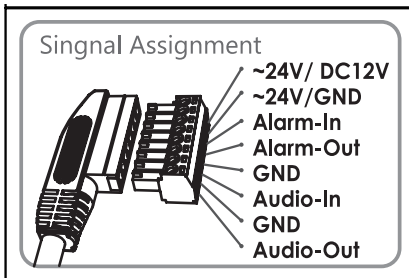
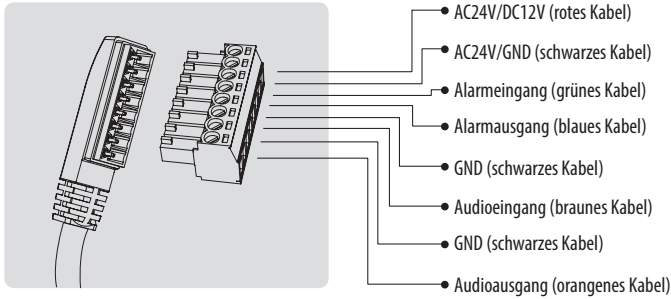
Stellen Sie vor der Installation sicher, dass die Spannungszufuhr unterbrochen ist. Die Kamera kann entweder mit 12VDC oder 24VAC, doppelte Spannungsversorgung und PoE (IEEE Std. 802.3af) betrieben werden. Primäre und sekundäre Masse sind vollständig voneinander isoliert, um mögliche Probleme durch Erdungsschleifen zu vermeiden.

1. Schließen Sie das Netzkabel am RJ-45 Ethernet-Port an. Wenn PoE als einzige Stromquelle verwendet wird, muss die Netzklemme nicht angeschlossen werden.
2. Wenn eine lokale Stromversorgung mit 12VDC bzw. 24VAC notwendig ist, schließen Sie zuerst die Niederspannungsleitung (12VDC bzw. 24VAC) an und stecken Sie erst danach das Netzteil in die Steckdose, um fehlerhafte Resets aufgrund

von Spannungsschwankungen und Beschädigungen durch Überspannung bei Lastfreiheit zu vermeiden.

i Wenn PoE und eine lokale duale Stromversorgung gleichzeitig verbunden sind, hat die lokale Stromversorgung Vorrang.

DE



Bringen Sie den Signalbelegungs-Aufkleber an einer sichtbaren Stelle als Referenz für die Anschlussverkabelung an.

Schnelle Netzwerkkonfiguration

1. Nachdem die Kamera mit dem Netzwerk verbunden wurde, starten Sie das **'eneo Scan Device'** Tool (auf der mitgelieferten CD).
2. Klicken Sie auf die **'Scan eneo'** Taste, um die Kamera in Ihrem Netzwerk zu finden.
3. Die Kamera ist standardmäßig auf DHCP eingestellt. Wenn kein DHCP-Server im Netzwerk vorhanden ist, wird die Kamera nach einer gewissen Zeit auf eine Standard-IP-Adresse zurückgesetzt. In diesem Fall fügen Sie mehrere Kameras bitte nur nacheinander zum Netzwerk hinzu, um Konflikte aufgrund der identischen IP-Adressen zu vermeiden.
Die Standard-IP-Adresse der IP-Kamera ist: **192.168.1.10**.
4. Klicken Sie mit der rechten Maustaste auf den Gerätenamen im eneo Scan Device Tool, um das Kontextmenü anzuzeigen. Wählen Sie die Option **'Open Device Web Site'** (Geräte-Webseite öffnen), um auf die Kamera zuzugreifen.
5. Die Login-Seite des Web-Viewers wird in Ihrem Standard-Webbrowser geöffnet. Bei Microsoft Internet Explorer installieren Sie die Active-X-Komponente namens VIDEOR E. Hartig GmbH entsprechend der Anweisungen am unteren Rand des Browsers.
6. Verwenden Sie den Standard-Benutzernamen und das Standard-Passwort zum Einloggen.

Standard-Benutzername: admin

Standard-Passwort: admin



The screenshot shows the login interface for the eneo device. At the top left is the eneo logo, and at the top right is the device ID 'xxx-xxxxxxxxxx'. Below this are two input fields: the first for the username 'admin' and the second for the password, which is masked with dots. There is a checkbox labeled 'Jump to setup' and a black 'Login' button at the bottom.

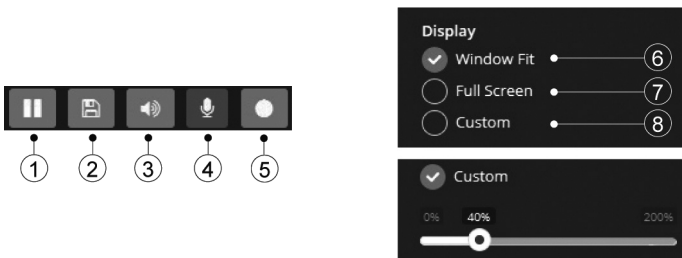
Beschreibung des Web-Viewers

DE



- (A) Menütaste: Klicken Sie auf diese Taste zum Anzeigen oder Verbergen des Konfigurationsmenüs.
- (B) Modellname: Zeigt den Modellnamen der verbundenen Kamera an.
- (C) Sprache auswählen: Wählen Sie Englisch, Deutsch oder Französisch als Web-Viewer-Sprache.
- (D) Hauptkonfigurationsmenü: Zum Einstellen der Kamera- oder Netzwerk-Funktionen.
- (E) Kameraüberwachungsfenster: Zeigt das Video oder die Funktion der aktuell verbundenen Kamera an.
- (F) Abmelden und den Web-Viewer verlassen

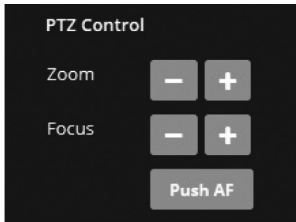
Player-Steuerung & Anzeige



- (1) Pause: Anhalten des aktuellen Videos.

- (2) Snapshot: Nehmen Sie ein Standbild von einem aktuell auf der Anzeige dargestellten Bild auf. Unterstützt das Anzeigen, Ausdrucken und Speichern in der Original-Bildgröße.
- (3) Lautsprecher: Aktivieren oder deaktivieren Sie den Lautsprecher.
- (4) Mikrofon: Aktivieren oder deaktivieren Sie das Mikrofon.
- (5) Aufnahme: Zeichnen Sie das aktuell angezeigte Video auf.
- (6) An Fenstergröße anpassen: Die Live-Ansicht wird an die Fenstergröße angepasst.
- (7) Vollbild: Zeigt das aktuelle Fenster im Vollbildmodus an. Klicken Sie auf die ESC-Taste oder die rechte Maustaste, um zur normalen Ansicht zurückzugelangen.
- (8) Benutzerdefiniert: Verschieben Sie die Steuerleiste, um die bevorzugte Fenstergröße einzurichten.

PTZ-Steuerung



Zur manuellen Zoom-/Fokus-Einstellung oder zur automatischen Fokussierung mittels One-Push-Automatik.

- Zoom: Stellen Sie den Vergrößerungs-/Verkleinerungsfaktor des Kamerabildes manuell ein.
- Fokus: Stellen Sie den Fokus des Kamerabildes manuell ein.
- Push AF: Wenn die Push AF-Funktion aktiviert ist, wechselt die Kamera in den Autofokus-Modus und stellt die Fokussierung automatisch ein.

i Hinweis: Stellen Sie die Zoom-/Fokus-Einstellungen nicht bei geringen Lichtverhältnissen oder im Nachtmodus ein. Dies kann zu fehlerhafter Fokussierung führen.

Übersicht des Konfigurationsmenüs

DE

Kategorie	Menü	Konfiguration		
LIVE-BILD	Player-Steuerung	Pause, Snapshot, Lautsprecher, Mikrofon, Aufnahme		
	Anzeige	(An Fenstergröße anpassen, Vollbild, Benutzerdefiniert)		
	Video-Stream	Stream 1, Stream 2, Stream 3		
	Protokoll	HTTP, TCP, UDP		
	PTZ-Steuerung	Zoom, Fokus, Push AF		
WIEDERGABE	Ereignissuche, Zeitleistensuche, Zeitleiste			
KONFIGURATION	Information	Allgemein, Open Source Informationen		
	Video und Bild	Bild	Quelle	Stream 1/2/3
			Allgemein	Helligkeit, Helligkeit [Nacht], Sättigung, Sättigung [Nacht], Schärfe, Gamma, Bildumkehr aktivieren, Bild spiegeln aktivieren
			OSD	Text einblenden, Datum/Zeit einblenden, Zoom/Fokus einblenden, Fokusanzeige OSD einblenden
			AE	Modus, Verschluss, Blende, AGC, Langsamer Verschluss, Autom. flimmerfrei, Motion Deblur
			AWB	Modus, Cb Verstärkung, Cr Verstärkung
			AF	Modus, Objektinitialisierung
			Tag & Nacht	Modus, IR-LED Steuerung, Umschaltzeit, Schwellenwert, Gap, Smart IR
			WDR	WDR (Modus, Stufe), Defog (Modus, Stufe)
			BLC	BLC (Modus, Stufe), HLC (Modus, Stufe)
			DNR	3DNR (Modus, Stufe)
			LDC	Modus, Stufe, Grenzlinie
			Korridor	Modus, Rotation
			Bereichsmaske	Farbe, Name
	Digitaler Zoom	Level		
	Audio (*)		Kompression, Abtastrate, Bitrate, Eingangspegel, Ausgangspegel	
	Aufnahme	Aufnahme	Bei vollem Speicher überschreiben, Einstellungen für Daueraufnahme	
		Zeitplan		
		Speicher	Formatieren, Entfernen, Speicherinformationen	

	PTZ	Voreinstellung	Voreinstellung, Ausgangsposition
	Ereignis	Auslöser	Bewegung, Manipulation, VCA, Alarmeingang (*), System, Manuell, Netzwerk
		Aktionen	Aufnahme, Alarmausgang (*), E-Mail, FTP, Video Boost, PTZ-Voreinstellung
		Regeln	Ereignisverarbeitung, ONVIF Mapping
	System	Sicherheit	Benutzer, HTTPS, IP-Filter, ONVIF
		Datum/Uhrzeit	Aktuelle Uhrzeit, Neue Uhrzeit, Zeitzone, Datum & Uhrzeit anzeigen
		Netzwerk	TCP/IP, DDNS, RTP, UPnP, Zeroconf, Bonjour
		Sprache	Englisch, Deutsch, Französisch, Koreanisch
		Wartung	Warten (Neustart, Zurücksetzen, Voreinstellung), Upgrade, Konfiguration exportieren, Konfiguration importieren
		Protokoll und Bericht	Systemprotokoll, Ereignisprotokoll, Bericht
Abmelden			

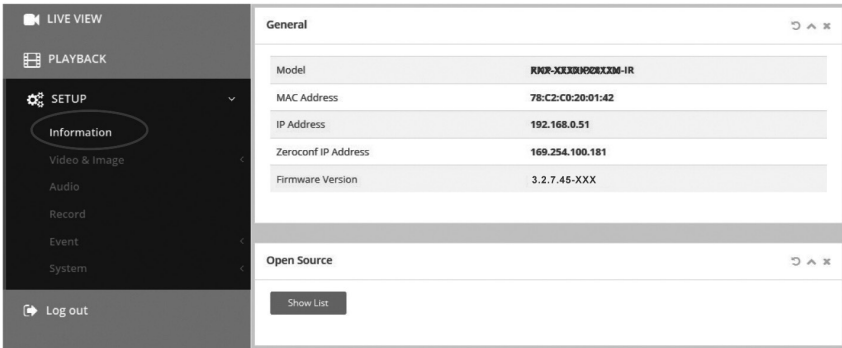
() Option abhängig vom Modell*

Schnellkonfiguration

Information

Die Informationen zeigen die grundlegenden Daten über die Kamera an wie Modellname, MAC-Adresse, IP-Adresse, Zeroconf-IP-Adresse und Firmware-Version.

DE



The screenshot shows a web interface for camera configuration. On the left is a dark sidebar with a 'SETUP' menu containing 'Information' (highlighted with a red circle), 'Video & Image', 'Audio', 'Record', 'Event', 'System', and 'Log out'. The main content area is titled 'General' and contains a table of device information:

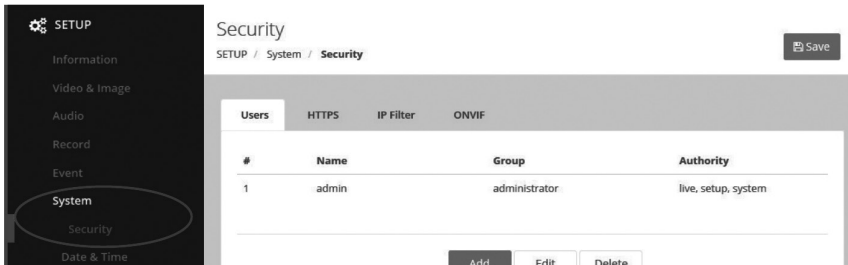
General	
Model	KMR-XLX000EXX10M-IR
MAC Address	78:C2:C0:20:01:42
IP Address	192.168.0.51
Zeroconf IP Address	169.254.100.181
Firmware Version	3.2.7.45-XXX

Below the table is an 'Open Source' section with a 'Show List' button.

Benutzer

Benutzerkonten können hinzugefügt, geändert oder gelöscht werden. Die Benutzerrechte hängen automatisch von der Benutzergruppe ab und zeigen die Berechtigungsstatus zum Zugriff auf die Menüs.

- Name: Zeigt den Namen, der zum Zugriff auf die Kamera registriert wurde.
- Gruppe: Zeigt die den Benutzern erteilten Berechtigungen.
- Berechtigung: Zeigt den Berechtigungsstatus zum Zugriff auf die Menüs.



Klicken Sie auf die Schaltflächen Hinzufügen, Ändern oder Löschen, um die Benutzerkonten zu verwalten.

Hinzufügen

Zum Hinzufügen eines neuen Benutzers:

1. Klicken Sie auf Hinzufügen und geben Sie einen neuen Benutzernamen ein. (1 bis 14 alphanumerische Zeichen). Bei den Benutzernamen wird nicht zwischen Groß- und Kleinschreibung unterschieden.
2. Geben Sie ein Passwort ein und tippen Sie diesen anschließend zur Bestätigung erneut ein. (1 bis 8 alphanumerische Zeichen). Bei Passwörtern wird die Groß-/ Kleinschreibung berücksichtigt.
3. Wählen Sie eine der Gruppen, der Sie den Benutzer zuweisen möchten.
4. Klicken Sie auf die Schaltfläche OK, um die Einstellungen zu speichern und den neuen Benutzer hinzuzufügen.

Add User

Name

Password

Confirm Password

Group ▼

Edit User

Name

Password

Confirm Password

Group ▼

Bearbeiten

Zum Bearbeiten eines Benutzers:

1. Wählen Sie den Namen des Benutzers aus der Benutzerliste aus, den Sie bearbeiten möchten.
2. Klicken Sie auf die Registerkarte Bearbeiten, dann erscheint ein neues Pop-up-Fenster.
3. Geben Sie ein Passwort ein (1 bis 8 alphanumerische Zeichen) und tippen Sie diesen anschließend zur Bestätigung erneut ein. **Der Benutzername kann nicht geändert werden.**
4. Wählen Sie eine der Gruppen, der Sie den Benutzer zuweisen möchten.
5. Klicken Sie auf die Schaltfläche OK, um die geänderten Einstellungen des Benutzers zu speichern.

DE

Entfernen

Zum Entfernen eines Benutzers:

1. Wählen Sie den Namen des Benutzers aus der Benutzerliste aus, den Sie entfernen möchten.
2. Klicken Sie auf Löschen. In einem Dialogfeld werden Sie um Bestätigung gebeten.
3. Klicken Sie auf die Schaltfläche OK. Das Benutzerprofil wird aus der Benutzerliste entfernt.

Datum/Uhrzeit

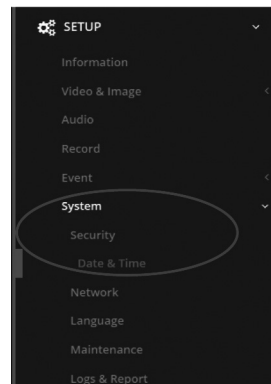
Aktuelle Uhrzeit

Zeigt das aktuelle Datum und die aktuelle Uhrzeit an.

Neue Uhrzeit

Wählen Sie eine Server-Zeit aus.

- Synchronisation mit Computerzeit: Stellt die Uhrzeit anhand der Zeit Ihres Computers ein.
- Manuelle Einstellung: Mit dieser Option können Sie Uhrzeit und Datum manuell einstellen.
- Mit NTP-Server synchronisieren: Mit dieser Option wird die korrekte Uhrzeit alle 60 Minuten von einem



NTP-Server bezogen. Die IP-Adresse oder der Host-Name des NTP-Servers wird im Zeitserver angegeben.

Time Zone (Zeitzone)

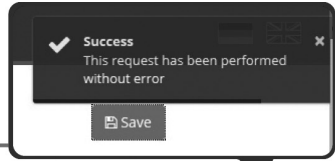
Wählen Sie die Zeitzone, in der sich Ihre Kamera befindet. Markieren Sie das Kontrollkästchen "Automatische Sommerzeit-Umstellung", um die durch die Sommerzeit erforderlichen Umstellungen automatisch durchführen zu lassen.

Zeitzone: Die Voreinstellung ist GMT.

Datum- & Uhrzeitanzeige

Wählen Sie eins der Datums- und Uhrzeitformate aus.

- Datumsformat: Die Voreinstellung ist JJJJ-MM-TT.
- Zeitformat: Die Voreinstellung ist 24 Stunden.



Date & Time

SETUP / System / Date & Time

Save

Current Time C ^ x

Date: 2015-10-06 Time: 11:46:11

New Time C ^ x

Synchronize with computer time

Date: 2015-10-06 Time: 11:46:16

Set manually

Date: Time:

Synchronize with NTP server

Server: Interval [Hour]:

Time Zone C ^ x

(GMT) Greenwich Mean Time : Dublin, Edinburgh, Lisbon, London v

Automatically adjustment for daylight saving time changes

Date & Time Display C ^ x

Date Format: v

Time Format: v

Netzwerk

Wenn im Netzwerk ein DHCP-Server (Dynamic Host Configuration Protocol) vorhanden ist, weist dieser Netzwerkgeräten automatisch eine IP-Adresse zu.

Obtain IP address via DHCP (IP-Adresse von DHCP-Server beziehen):

Markieren Sie das Optionsfeld, wenn Sie die IP-Adresse automatisch vom DHCP-Server zuweisen lassen wollen, in diesem Fall können die übrigen Einstellungen nicht verändert werden.

Use the following IP address (Folgende IP-Adresse verwenden):

Markieren Sie das Optionsfeld nur, wenn Sie die IP-Adresse manuell einstellen wollen.

IP address (IP-Adresse):

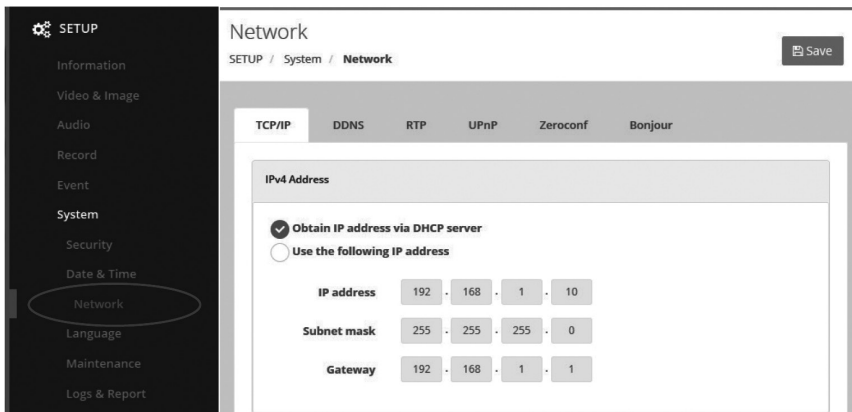
Die Adresse der an das Netzwerk angeschlossenen Kamera. Geben Sie für die Netzwerkkamera eine IP-Adresse ein, die von keinem anderen Gerät verwendet wird.

Subnet mask (Subnet-Maske):

Die Adresse, die das IP-Netzwerk bestimmt, an das die Kamera angeschlossen ist (relativ zu ihrer Adresse). Geben Sie die Maske für das Subnetz ein, in dem sich die Netzwerkkamera befindet.

Gateway:

Das Gateway, das Zugriff auf andere Netzwerke hat. Geben Sie die IP-Adresse des Default-Routers (Gateway) ein, der zur Verbindung mit Geräten verwendet wird, die an andere Netzwerke und Netzwerksegmente angeschlossen sind.



Weitere Informationen


Bitte halten Sie die Firmware stets aktuell, damit Sie die neuesten Funktionen des Geräts nutzen können. Die aktuellsten Firmware-Versionen finden Sie auf unserer Website unter www.eneo-security.com.

Das Benutzerhandbuch und weitere Software-Tools sind auf der eneo Website unter www.eneo-security.com oder auf der mitgelieferten CD verfügbar.

Informationen zu kompatiblen Video Management Software-Lösungen finden Sie in der Kategorie **Videomanagement** unter www.eneo-security.com.

DE

Table of content

Matériel livré	47
Noms des pièces	48
Instructions d'installation	49
Réglages Panoramique/Inclinaisons	50
 Description de l'adaptation de ZOOM & FOCUS à l'aide de la manette de commande.....	51
Connexions d'alimentation	51
Configuration rapide du réseau	53
Description de la visionneuse web (Web viewer)	54
Commande du lecteur & affichage.....	54
Commande PTZ.....	55
Tableau du menu Configuration.....	56
Configuration rapide	58
Information	58
Utilisateurs	58
Ajouter	59
Éditer.....	60
Supprimer.....	60
Date & heure	60
Heure actuelle	60
Nouvelle heure.....	60
Fuseau horaire.....	61
Affichage du jour et de l'heure.....	61
Réseau	62
Complément d'information	64

Instructions de sécurité

Consignes de sécurité générales

- Avant de brancher et de mettre en service le système, veuillez lire d'abord ces consignes de sécurité ainsi que la notice d'instructions.
- Conservez soigneusement la notice d'instructions en vue d'une utilisation ultérieure.
- Le montage, la mise en service et la maintenance du système doivent impérativement être réalisés par des personnes autorisées, en conformité avec les instructions d'installation et en respectant toutes les normes et directives applicables.
- Protéger les appareils contre l'intrusion d'eau et d'humidité, risque de dommages durables.
- Si de l'humidité pénètre malgré tout dans un appareil, il ne faut jamais mettre en marche l'appareil dans ces conditions, mais le remettre pour vérification à un atelier de réparation agréé.
- Le système ne doit jamais être utilisé en dehors des conditions techniques qui ont été définies, risque de destruction.
- L'appareil doit être protégé contre la chaleur excessive, la poussière, l'humidité et les vibrations.
- Pour couper l'alimentation électrique du système, retirer la fiche de la prise pour débrancher le câble. Il ne faut jamais tirer directement sur le câble.
- Posez avec soin les câbles de raccordement et assurez-vous que les câbles ne subissent aucune contrainte mécanique, ne sont pas pliés ou endommagés, et qu'il n'y a pas de pénétration d'humidité.
- Veuillez informer votre fournisseur en cas d'apparition de dysfonctionnements.
- Les travaux de maintenance et de réparation doivent être réalisés par des techniciens autorisés.
- L'alimentation électrique doit être coupée avant chaque ouverture du boîtier.
- L'appareil doit être ouvert par des techniciens qualifiés. Des interventions non autorisées entraînent une expiration de la garantie.
- Les câbles de raccordement doivent toujours être remplacés par Videor E. Hartig GmbH.
- Utiliser exclusivement des pièces de rechange d'origine et des accessoires d'origine de VIDEOR E. Hartig GmbH.
- Pour nettoyer le boîtier, il faut utiliser un détergent domestique non agressif. Il ne faut jamais utiliser du diluant ou de l'essence, la surface pourrait être endommagée durablement.
- Lors du montage, les joints doivent toujours être mis en place de manière réglementaire et ne doivent pas être déplacés au cours du montage. Les joints endommagés ne doivent plus être utilisés sous peine d'annuler toute garantie.
- L'installateur est responsable du respect du niveau de protection défini dans les caractéristiques techniques, par ex. en utilisant du silicone pour rendre étanche la sortie du câble.
- Des embouts doivent être utilisés quand il faut raccourcir des fils de raccordement flexibles.
- Les appareils doivent être exploités en respectant les plages de températures et l'humidité ambiante définies dans la fiche technique.

FR

Consignes de sécurité spécifiques pour les différents produits

- La caméra ne doit jamais être dirigée vers le soleil avec le diaphragme ouvert (destruction du capteur).
- Il est inévitable qu'une certaine quantité d'humidité provenant de l'air ambiant pénètre dans le boîtier dans le cadre de la fabrication et de l'utilisation ultérieure. L'humidité contenue dans le boîtier peut précipiter en cas de fortes variations de température.
- Afin d'éviter ce phénomène dans le boîtier qui est très étanche, le fabricant a placé des sachets de gel de silice dans le boîtier de différents types de caméras.
- Ces sachets de gel de silice sont saturés après un certain temps, ce qui est tout à fait normal. Ils devraient donc être remplacés par des nouveaux sachets de gel de silice.
- Lors du montage, les joints doivent toujours être mis en place de manière réglementaire et ne doivent pas être déplacés au cours du montage. Les joints endommagés ne doivent plus être utilisés sous peine d'annuler toute garantie.
- Un dispositif de mise hors tension facile d'accès et multipolaire doit être installé à proximité du projecteur IR, afin de pouvoir couper l'appareil pour les travaux d'entretien.
- Le conducteur de protection doit être réalisé conformément à la norme DIN VDE 0100 avec une faible résistance adaptée.
- L'application ultérieure d'une couche de peinture sur l'appareil peut perturber le fonctionnement.
- L'application ultérieure d'une couche de peinture entraîne l'expiration de toute demande de garantie.

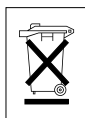
- Une distance de sécurité > 1 m doit être respectée par rapport au projecteur dans un environnement sombre, quand on regarde directement dans le projecteur IR.
- Les rayons invisibles des LED ne doivent pas être observés directement avec des instruments optiques (par ex. loupe, microscope etc.), risque pour les yeux, LED classe 1M.
- Il est interdit d'utiliser le projecteur IR avec un cache défectueux ou pendant des travaux de réparation.

Remarque concernant l'appareil de classe A

Ceci est un appareil de classe A. Cet appareil est susceptible de provoquer des dysfonctionnements dans les locaux d'habitation. Dans ce cas, il peut être demandé à l'exploitant de réaliser les travaux nécessaires et d'en supporter les frais.

WEEE (Waste Electrical & Electronic Equipment)

Élimination conforme du présent produit (Applicable dans l'Union européenne et dans d'autres pays européens disposant de systèmes de collecte distincts).



Le marquage indiqué sur le produit ou dans le mode d'emploi indique qu'il ne devrait pas être éliminé avec d'autres déchets ménagers à la fin de sa vie de service. Pour éviter tout effet néfaste sur l'environnement ou sur la santé humaine résultant de l'élimination non contrôlée de déchets, séparez ce produit des autres types de déchets et recyclez-le de manière responsable afin de promouvoir l'utilisation durable des ressources matérielles. Les utilisateurs ménagers doivent contacter soit le revendeur où ils ont acheté ce produit, soit leur organisme local pour obtenir plus d'informations sur le recyclage correct de cet article afin de protéger l'environnement. Les utilisateurs commerciaux doivent contacter leur fournisseur et vérifier les modalités du contrat de

vente. Ce produit ne doit pas être mélangé à d'autres déchets commerciaux lors de leur élimination.

Symboles graphiques

Respectez les consignes de sécurité ci-après et lisez attentivement cette notice avant toute utilisation.



Les mises en garde importantes sont précédées d'un symbole d'avertissement.

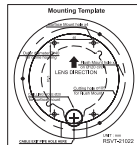
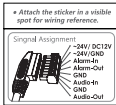
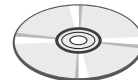
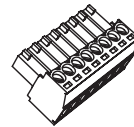
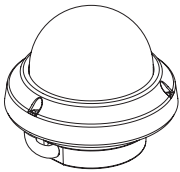


Les points importants sont précédés d'un symbole de notice.

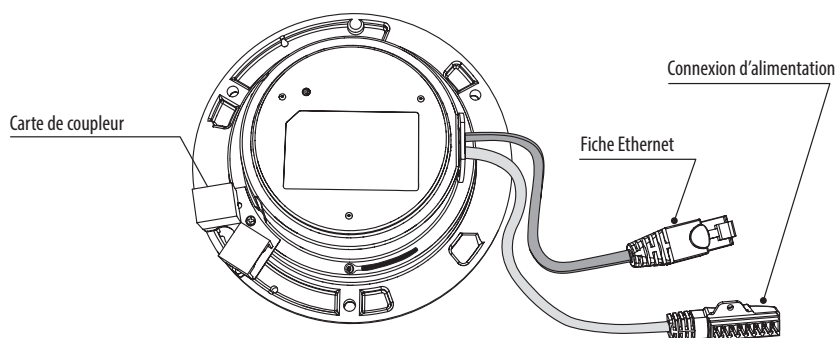
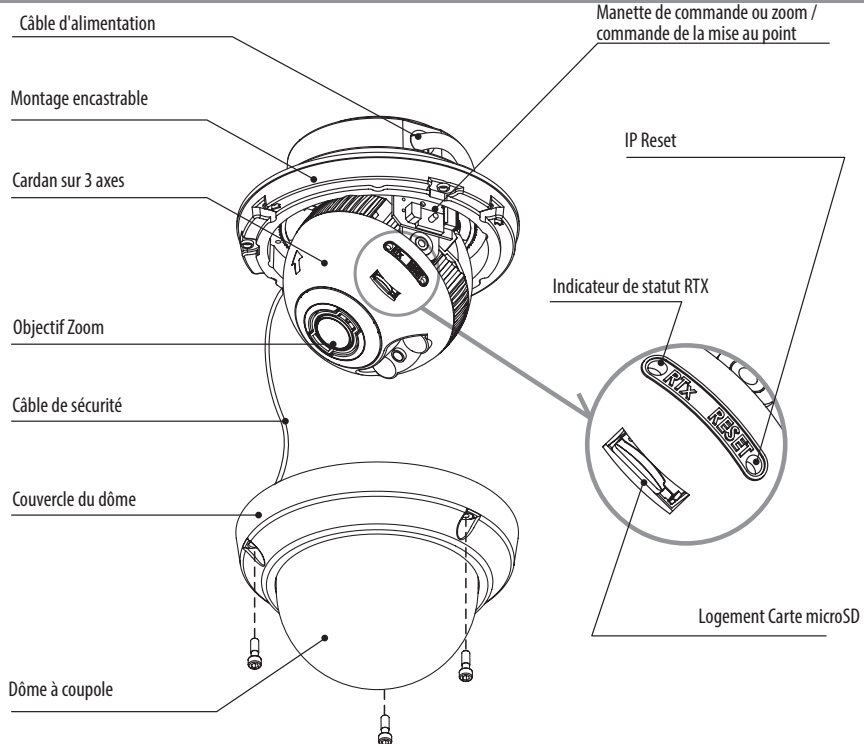
Matériel livré

- Caméra dôme
- Mode d'emploi
- CD
- Étiquette de signalisation du câblage
- Gabarit de perçage
- Chevilles en plastique : 6 x 30mm (3x)
- Vis de montage 4 x 30 mm (3x)
- Vis de fixation du connecteur : 2.5 x 5mm (1x)
- Clé Torx : 3mm (1x)
- Connecteur de câblage : (1x)

FR



Noms des pièces

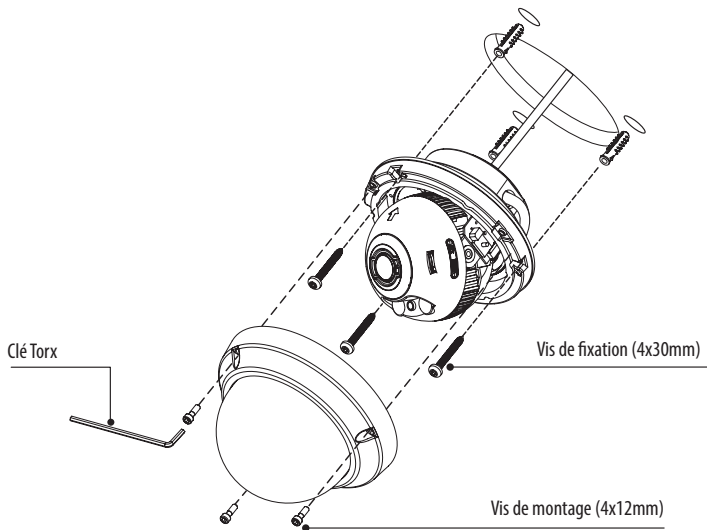


Instructions d'installation



ATTENTION : La base de la caméra doit être fixée à une surface solide, comme du bois dur, un mur, pilier ou poutre au plafond apte à supporter le poids de la caméra dôme. Si nécessaire, utiliser un matériel de fixation (ancrages) plus adéquat au lieu du matériel fourni avec la caméra.

1. Placer le gabarit de montage à la position de montage et faire un trou dans le plafond ou dans le mur si nécessaire.
2. Enlever le couvercle dôme en desserrant les vis (4x12mm). Utiliser la clé Torx fournie.
- Placer l'unité du dôme sur la base à la position prépercée et la fixer à l'aide des vis de montage (4x30mm).
- Guider les câbles Ethernet et d'alimentation vers le lieu de connexion.
3. Brancher le câble d'alimentation du dôme.
4. Régler de l'angle de vision de la caméra.
5. Poser le couvercle du dôme sur la base et serrer les vis de montage.



Accessoires de montage disponibles en option

Pour plus d'informations concernant les accessoires de montage, visitez le site Internet d'eneo sous www.eneo-security.com.

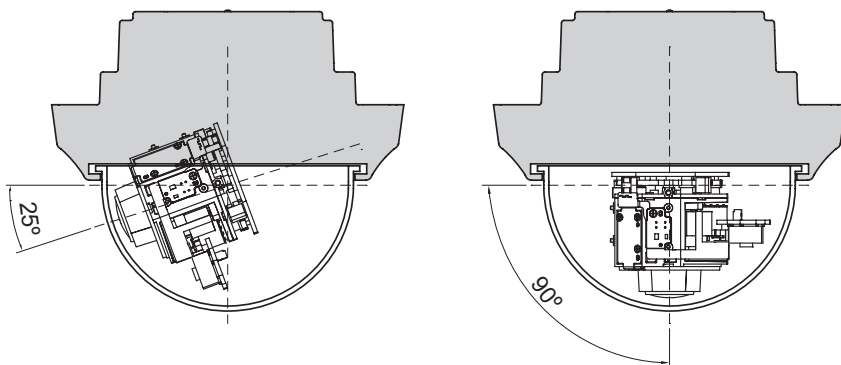
Réglages Panoramique/Inclinaisons

1. Limite de panoramique : Le panoramique est limité à +/- 173°. Ne forcez PAS la rotation du cadran au-delà de la limite pour éviter des dommages internes.
2. Limite d'inclinaison : l'inclinaison est limitée à une fourchette de 25° min ~ 90° max. pour une installation murale (au plafond) par rapport au plafond lorsque l'inclinaison du module caméra est à 0°, c'est-à-dire lorsque l'image est alignée horizontalement.



ATTENTION : L'inclinaison NE DOIT PAS aller jusqu'à 25° min. Si une lumière IR se reflète dans l'objectif lorsque l'inclinaison n'est pas de 0°. Lorsque l'inclinaison est presque à la limite minimum, assurez-vous absolument qu'il n'y ait pas de réflexion IR

3. Limite d'inclinaison (alignement horizontal de l'image) Inclinaison limitée à +/-50° max.



ATTENTION :

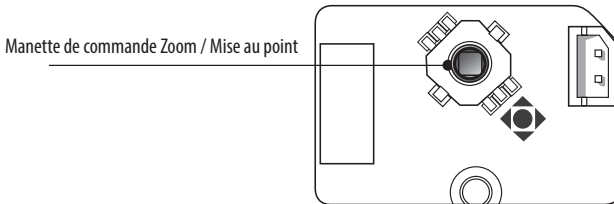
Il faudra veiller à ne pas érafler la surface de la coupole lors de l'installation ou le réglage de la caméra.

Veillez à ne PAS endommager, déformer ou exposer le câble dans une zone dangereuse.

Les vis de fixation du couvercle du dôme doivent être serrées de sorte qu'il n'y ait aucune lacune entre le couvercle de l'objectif et la coupole afin de prévenir l'infiltration de lumière des IR LED.

Description de l'adaptation de ZOOM & FOCUS à l'aide de la manette de commande

1. ▲ : Agrandissement
2. ▼ : Rétrécissement
3. ◀ : Focus proche
4. ▶ : Focus éloigné

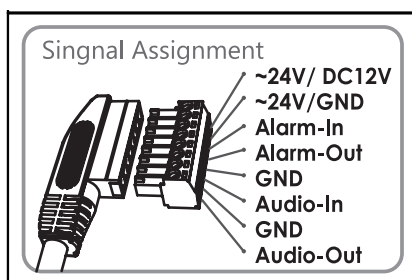
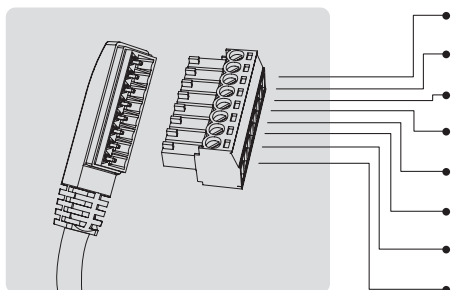


Connexions d'alimentation

Assurez-vous que l'alimentation secteur est déconnectée avant l'installation. La caméra peut fonctionner en 24 V CA ou en 12 V CC ainsi qu'avec une alimentation bitension et par PoE (IEEE Std. 802.3af). Les mises à la terre primaire et secondaire sont complètement isolées pour éviter les éventuels problèmes de boucle de masse.

1. Brancher le câble réseau dans la prise RJ-45 Ethernet. Quand le PoE est l'unique source d'alimentation, il n'est pas nécessaire de connecter le terminal de courant.
2. Si un courant CC 12 V ou CA 24 V local est requis, connectez d'abord le connecteur basse tension (CC 12 V ou CA 24 V), puis l'adaptateur CA aux sorties de courant alternatif afin d'éviter une réinitialisation inopportune due à une instabilité de l'alimentation et des dommages en cas de surtension sans charge.

i Quand le PoE et la l'alimentation en bitension sont connectés simultanément, le courant local est prioritaire.



Apposer l'étiquette de l'affectation de signal en un lieu visible pour référence de câblage.

Configuration rapide du réseau

1. Après avoir connecté la caméra au réseau, démarrez l'outil de balayage '*eneo Scan Device*' (CD inclus).
2. Utilisez le bouton '*Scan eneo*' (Balayer) pour trouver la caméra dans votre réseau.
3. La caméra est réglée par défaut sur DHCP. S'il n'y a aucun serveur DHCP présent dans le réseau, la caméra vous renverra une adresse IP par défaut au bout d'un certain temps. Dans ce cas, veuillez n'ajouter qu'une seule caméra à la fois au réseau afin d'éviter les conflits dus à des adresses IP identiques.
L'adresse IP par défaut de la caméra réseau est : **192.168.1.10**.
4. Cliquez avec la touche droite de la souris sur le nom de l'appareil dans le dispositif de balayage eneo (*eneo Scan Device*) pour faire apparaître le menu contextuel. Utilisez l'option '*Open Device Web Site*' pour accéder à la caméra.
5. La page de connexion de la visionneuse web (Web viewer) s'ouvrira dans votre navigateur par défaut.
Si vous disposez de Microsoft Internet Explorer, installez l'ActiveX nommé VIDEOR E. Hartig GmbH selon les instructions figurant au bas du navigateur.
6. Utilisez le nom de l'utilisateur et le mot de passe par défaut pour vous connecter.

Nom d'utilisateur par défaut : admin

Mot de passe par défaut : admin

FR

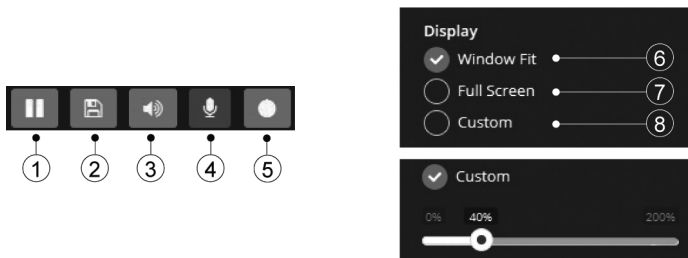


Description de la visionneuse web (Web viewer)



- (A) Bouton Menu : cliquez sur le bouton pour afficher ou masquer la barre de menu de configuration.
- (B) Nom du modèle : afficher un nom de modèle de caméra connecté.
- (C) Sélectionner une langue : définir la langue de visionneuse web anglais, allemand ou français.
- (D) Barre de menu de configuration principal : permet le paramétrage des fonctions de la caméra ou du réseau.
- (E) Fenêtre de surveillance de la caméra : permet d'afficher la vue ou la fonction de la caméra actuellement connectée.
- (F) Se déconnecter et quitter la visionneuse web (Web viewer)

Commande du lecteur & affichage

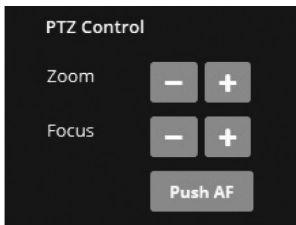


- (1) Pause : suspend la vidéo en cours.

- (2) Snapshot (Instantané) : permet de prendre une photo de l'image vidéo actuellement affichée. Prend en charge les fonctions « origin image size view » (consultation de la taille d'origine de l'image), « print » (imprimer) et « save » (enregistrer).
- (3) Speaker (Haut-parleur) : activer ou désactiver le haut-parleur.
- (4) Microphone (Microphone) : activer ou désactiver le microphone.
- (5) Record (Enregistrer) : enregistrer la vidéo en cours affichée.
- (6) Window Fit (Remplir la fenêtre) : affiche la page Life View (affichage en direct) pour régler la taille de la fenêtre d'affichage.
- (7) Full Screen (Plein écran) : élargit les fenêtres actuelles à la taille d'écran maximale. Cliquez sur le bouton ESC ou le bouton droit de la souris pour revenir à l'affichage normal.
- (8) Custom (Personnalisé) : permet de déplacer la barre de contrôle pour obtenir la taille de la fenêtre préférée.

Commande PTZ

Utilisé pour ajuster manuellement le zoom/focus ou effectuer une mise au point automatiquement par simple pression.



- Zoom : permet de régler manuellement l'agrandissement/le rétrécissement de l'image de la caméra.
- Focus : permet de régler manuellement la mise au point de l'image de la caméra.
- Push AF : lorsque la commande « Push AF » est envoyée, la caméra se met en mode de mise au point automatique (auto focus) pour ajuster la position focale pendant un certain temps.

i Remarque: Ne pas ajuster le zoom/focus dans des conditions de faible luminosité ou en mode nuit. Cela pourrait causer une erreur de mise au point.

Tableau du menu Configuration

Catégorie	Menu	Configuration		
LIVE VIEW (Affichage en direct)	Commande du lecteur	Pause, instantané, haut-parleur, microphone, enregistrer		
	Affichage	(Remplir la fenêtre, plein écran, personnalisé)		
	Flux vidéo	Stream1, Stream2, Stream3		
	Protocole	HTTP, TCP, UDP		
	Commande PTZ	Zoom, Focus, Push AF		
PLAYBACK (Lecture)	Recherche par évènement, recherche chronologique, barre temporelle			
CONFIGURATION	Information	Généralités, informations Open source		
	Video & Image	Source		
		Stream1/2/3		
		Basic	Luminosité, luminosité [nuit], saturation, saturation [nuit], netteté, activer le pivotement d'image, activer l'image miroir	
		OSD	Activer le texte OSD, activer la date & l'heure OSD, activer le zoom & focus OSD, activer l'indication de mise au point OSD	
		AE	Mode, obturateur, diaphragme, AGC, obturateur lent, Anti-scintillement automatique, anti-floutage cinétique	
		AWB	Mode, gain Cb, gain Cr	
		AF	Mode, Initialisation de l'objectif	
		Jour&Nuit	Mode, commande IR-LED, temps de commutation, seuil, Gap, Smart IR	
		WDR	WDR (mode, niveau), anti-buée (mode, niveau)	
		BLC	BLC (mode, niveau), HLC (mode, niveau)	
		DNR	3DNR(mode, niveau)	
		LDC	Mode, niveau, ligne de démarcation	
		Corridor	Mode, Rotation	
		Zones privées	Couleur, Nom	
		Zoom numérique	Niveau	
		Audio(*)		Compression, fréquence d'échantillonnage, débit binaire, volume d'entrée, volume de sortie
		Enregistrement	Enregistrement	Écraser lorsque le disque est plein, paramètres d'enregistrement continu
			Programmation	
			Stockage	Formater, supprimer, stocker des informations

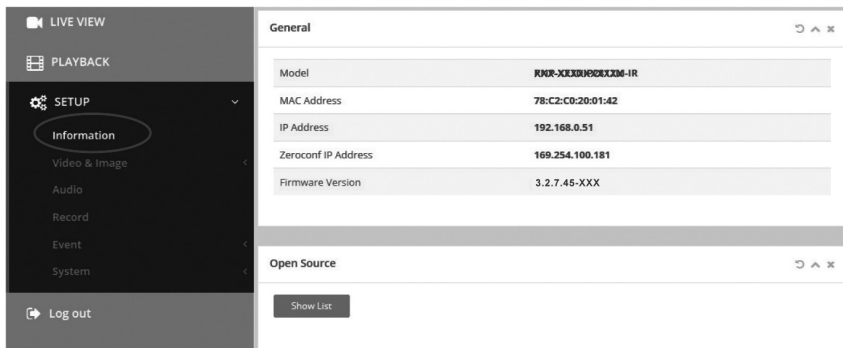
	PTZ	Préréglage	Paramétrage du préréglage, position initiale
	Évènement	Déclencheurs	Détection de mouvements, manipulation, VCA, entrée alarme (*), système, manuel, réseau
		Actions	Enregistrer, sortie alarme (*), e-mail, FTP, optimisation vidéo, préréglages PTZ
		Règles	Traitement d'évènement, mappage ONVIF
	Système	Sécurité	Utilisateur, HTTPS, filtre IP, ONVIF
		Date & heure	Heure actuelle, nouvelle heure, fuseau horaire, affichage date & heure
		Réseau	TCP/IP, DDNS, RTP, UPnP, Zeroconf, Bonjour
		Langue	Anglais, allemand, français, coréen
		Maintenance	Maintenance (redémarrer, réinitialiser, réglage par défaut), mise à jour, configuration export, configuration import
		Fichier-journal & rapport	Fichier-journal du système, fichier-journal d'évènement, rapport
Log out (Déconnexion)			

(*) Option selon le modèle

Configuration rapide

Information

L'information affiche les informations de base sur la caméra tels que le nom du modèle, l'adresse MAC, l'adresse IP, l'adresse IP de Zeroconf et la version du firmware.



The screenshot shows a web interface for camera configuration. On the left is a dark sidebar with navigation options: LIVE VIEW, PLAYBACK, and SETUP. Under SETUP, 'Information' is highlighted with a red circle. Other options in the sidebar include Video & Image, Audio, Record, Event, System, and Log out. The main content area is titled 'General' and contains a table of camera information:

Model	RMR-XD0000000000-IR
MAC Address	78:C2:C0:20:01:42
IP Address	192.168.0.51
Zeroconf IP Address	169.254.100.181
Firmware Version	3.2.7.45-XXX

Below the table is an 'Open Source' section with a 'Show List' button.

Utilisateurs

Il est possible d'ajouter, de modifier ou de supprimer des comptes utilisateur. L'autorisation dépend automatiquement du groupe d'utilisateurs. Le type d'autorisation d'accès aux menus est indiqué.

- Name (Nom) : affiche le nom enregistré pour accéder à la caméra.
- Group (Groupe) : indique l'autorisation accordée aux utilisateurs.
- Authority (Autorité) : indique le type d'autorisation accordée pour accéder aux menus.



Cliquez sur le bouton Add (Ajouter), Modify (Modifier) ou Remove (Supprimer) pour gérer le compte utilisateur.

Ajouter

Pour ajouter un nouvel utilisateur :

1. Cliquez sur l'onglet Add (Ajouter) et tapez un nouveau nom d'utilisateur. (1 à 14 caractères alphanumériques). Les noms d'utilisateur ne sont pas sensibles à la casse.
2. Entrez un mot de passe et retapez-le dans Confirmer le mot de passe. (1 à 8 caractères alphanumériques). Les mots de passe sont sensibles à la casse.
3. Sélectionnez l'un des groupes que vous souhaitez affecter à l'utilisateur.
4. Cliquez sur le bouton OK pour sauvegarder les paramètres et ajoutez un nouvel utilisateur.

Add User ✕

Name

Password

Confirm Password

Group

Edit User ✕

Name

Password

Confirm Password

Group

Éditer

Pour modifier un utilisateur :

1. Sélectionnez l'un des noms d'utilisateur que vous souhaitez modifier dans la liste d'utilisateurs (User List).
2. Cliquez sur l'onglet Edit (Éditer) ; une nouvelle fenêtre pop-up s'affiche alors.
3. Entrez un mot de passe (1 à 8 caractères alphanumériques) et retapez-le dans Confirmer le mot de passe. **Le nom d'utilisateur ne peut être modifié.**
4. Sélectionnez l'un des groupes que vous souhaitez affecter à l'utilisateur.
5. Cliquez sur le bouton OK pour sauvegarder les paramètres et modifier un nouvel utilisateur.

Supprimer

Pour supprimer un utilisateur :

1. Sélectionnez l'un des noms d'utilisateur à supprimer dans la liste d'utilisateurs.
2. Cliquez sur l'onglet Delete (supprimer). Une boîte de dialogue apparaît avec un message de confirmation.
3. Cliquez sur le bouton OK. Le profil de l'utilisateur est supprimé du profil de la liste d'utilisateurs.

Date & heure

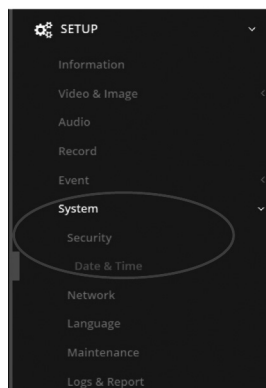
Heure actuelle

Indique la date et l'heure actuelles.

Nouvelle heure

Sélectionnez l'une des heures du serveur.

- Synchronize with computer time (Synchroniser avec l'heure de l'ordinateur) : synchronisation de l'heure avec celle de votre ordinateur.
- Set manually (Configurer manuellement) : cette option vous permet de définir manuellement la date et l'heure.
- Synchronize with NTP Server (Synchroniser avec le serveur NTP) : cette option permet de recevoir les



informations horaires correctes d'un serveur NTP toutes les 60 minutes. L'adresse IP ou le nom d'hôte du serveur NTP sont spécifiés dans le serveur temporel.

Fuseau horaire

Sélectionnez le fuseau horaire correspondant à l'emplacement de votre caméra. Cochez la case « Automatically adjust for daylight saving changes » (Réglage automatique à l'heure d'été) afin de mettre à jour automatiquement l'heure lors du passage à l'heure d'été.

Fuseau horaire : le paramètre par défaut est GMT.

Affichage du jour et de l'heure

Sélectionnez l'un des formats spécifiques à la date et l'heure.

- Format de la date : le paramètre par défaut est YYYY-MM-JJ.
- Format de l'heure : le paramètre par défaut est de 24 heures.

✓ **Success**
This request has been performed without error

Save

Date & Time

SETUP / System / **Date & Time**

Save

Current Time [Close] [Up] [Down] [X]

Date: 2015-10-06 Time: 11:46:11

New Time [Close] [Up] [Down] [X]

Synchronize with computer time

Date: 2015-10-06 Time: 11:46:16

Set manually

Date: [Calendar] 2015-10-06 Time: [Clock] 11:46:01

Synchronize with NTP server

Server: time.nist.gov Interval (Hour): 12 [Dropdown]

Time Zone [Close] [Up] [Down] [X]

(GMT) Greenwich Mean Time : Dublin, Edinburgh, Lisbon, London [Dropdown]

Automatically adjustment for daylight saving time changes

Date & Time Display [Close] [Up] [Down] [X]

Date Format: YYYY-MM-DD [Dropdown]

Time Format: 24 Hour [Dropdown]

Réseau

Le serveur DHCP (Protocole de configuration dynamique de l'hôte) dispose d'une fonction affectant automatiquement une adresse IP à un dispositif, si ce dernier se trouve le réseau.

Obtenir l'adresse IP via le serveur DHCP :

Cochez la case si vous souhaitez affecter automatiquement l'adresse IP du serveur DHCP. Les paramètres restants seront alors uniquement en lecture seule.

Utiliser l'adresse IP suivante :

Cochez la case si vous souhaitez affecter l'adresse IP manuellement.

Adresse IP :

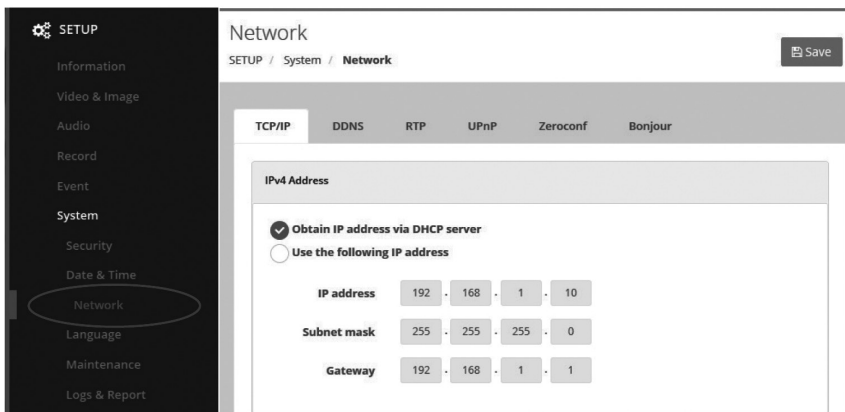
L'adresse de la caméra reliée au réseau. Spécifiez une adresse IP unique pour cette caméra réseau.

Masque de sous-réseau :

L'adresse déterminant le réseau IP auquel la caméra est connectée (en fonction de son adresse). Spécifiez le masque du sous-réseau sur lequel la caméra réseau se situe.

Passerelle :

La passerelle accédant à d'autres réseaux. Spécifiez l'adresse IP du routeur par défaut (passerelle) utilisée pour connecter les dispositifs reliés à différents réseaux et segments de réseau.



Complément d'information

Assurez-vous de toujours être à jour grâce à la dernière version du progiciel disponible depuis le site d'eneo sous www.eneo-security.com pour recevoir les dernières fonctionnalités de votre produit.

Le manuel utilisateur et d'autres outils logiciels sont disponibles sur le site web eneo www.eneo-security.com ou sur le CD joint.

Des informations concernant les solutions logicielles de gestion vidéo compatibles sont disponibles dans la catégorie **Videomanagement** (gestion des vidéos) sur www.eneo-security.com.



eneo® is a registered trademark of
VIDEOR E. Hartig GmbH
Exclusive distribution through specialised
trade channels only.

VIDEOR E. Hartig GmbH
Carl-Zeiss-Straße 8
63322 Rödermark/Germany
Tel. +49 (0) 6074 / 888-0
Fax +49 (0) 6074 / 888-100
www.videor.com
www.eneo-security.com

Technical changes reserved

© Copyright by VIDEOR E. Hartig GmbH
Version 01/2016