

MPC-52A0010M0B

SKU: 241967



1/3" HD Camera, 1920x1080, 10x AF Zoom
5,1-51mm, T-WDR, HD-SDI, EX-SDI, TVI, Composite

Main Features

1/2,8" 2,0 Megapixel Sony CMOS-Sensor

Resolution max. 1920x1080, 1080p@60/50fps

Optical 10x Auto Focus Zoom, 5,1~51mm

Multisignal Output HD-SDI, EX-SDI, TVI, Composite

WDR 120dB, DNR, motion detector

Digital noise reduction (2D+3D)

Image stabilization, privacy masking, defog

Privacy Masking, Defog

Slow Speed Shutter

Compact Housing

Power Supply 12VDC

Specifications

DORI:	
Observe (62 px/m)	31,3 - 302,4 m
Recognize (125 px/m)	15,2 - 150,3 m
Identify (250 px/m)	7,5 - 75,5 m
Detect (25px/m)	78 - 763 m
Other	
Dimensions (HxWxD)	62,2x59,2x99,6mm
Imager	Sony IMX462,CMOS, CMOS
Automatic electronic shutter (ESC)	1/25 ~ 1/30.000sec.
Illumination	no
Motion detector	yes

MPC-52A0010M0B

Continuation of the specifications

External connectors	1x SDI Signal (BNC), 1x HD/SD Analog Signal (BNC), 12VDC power input, RS-485, external day&night switching, Alarm output
Flickerless function	yes
Backlight compensation	BLC, HLC
Integrated wall mount	no
Parts supplied	manual
Low speed shutter	yes
Manual electronic shutter (MES)	1/25 ~ 1/30.000sec
OSD function control	OSD camera setup
Menu languages	English, Japanese, Chinese
Mirror function	V flip, H-flip, H/V flip
Privacy zone masking	Areas-ON/OFF switchable
Serial interfaces protocols	Pelco P, Pelco D, UTC (SD- Signal Format)
Signal-to-noise ratio	50dB
Synchronization	internal
Day&Night mode	Automatic, Day, Night, extern (Sensor)
Text display	supplied
Video standard	PAL/NTSC
White balance	AUTO
Wide Dynamic Range (WDR)	WDR 120dB, WDR 120dB
Resolution Pixels	1280x720, 1920x1080, 1280x720, 1920x1080
Horizontal resolution	700 TVL
System	True Day&Night
Sensor size	1/2.8"
Day&Night switch	ICR
Sensitivity	0,003 Lux
Digital Noise Reduction	yes
Lens Type	auto focus zoom
Focal Length	5,1 - 51 mm
Iris Control	DC
Zoom Factor	10x
Digital Zoom	yes
Horizontal Angle of View	57 - 6,2°
Vertical Angle of View	34 - 3,5°
MOD (Minimum Object Distance)	0,1 m
Illumination	no
Housing	Indoor
Color (housing)	black, silbermetallic
Housing material	Aluminium
Video outputs	Composite (CVBS), EX-SDI, HD-SDI, HD-TVI
Alarm outputs	1
Serial interfaces	Coaxitron (HD Protocol), RS-485

MPC-52A0010M0B

Continuation of the specifications

Analysis functions	Motion detection
Supply voltage	12VDC
Power consumption	3W
Vandal proof	no
Operating temperature	-10°C ~ +50°C, @ Humidity 90% or less (non-condensing)
Low Speed Shutter	yes
Backlight Compensation	BLC, HLC
Motion Detector	yes
Signal format	Composite (FBAS), EX-SDI (270 Mbps), HD-SDI (1.485 Gbps), HD-TVI @ 2MP
Camera type	Zoom Camera
Frame rate	25/30fps @ 1280x720p, 25/30fps @ 1920x1080p, 50/60fps @ 1280x720p, 50/60fps @ 1920x1080p
Aperture range (F)	F1.6~F1.8
Weight	360 g
Manufacturer order number	241967

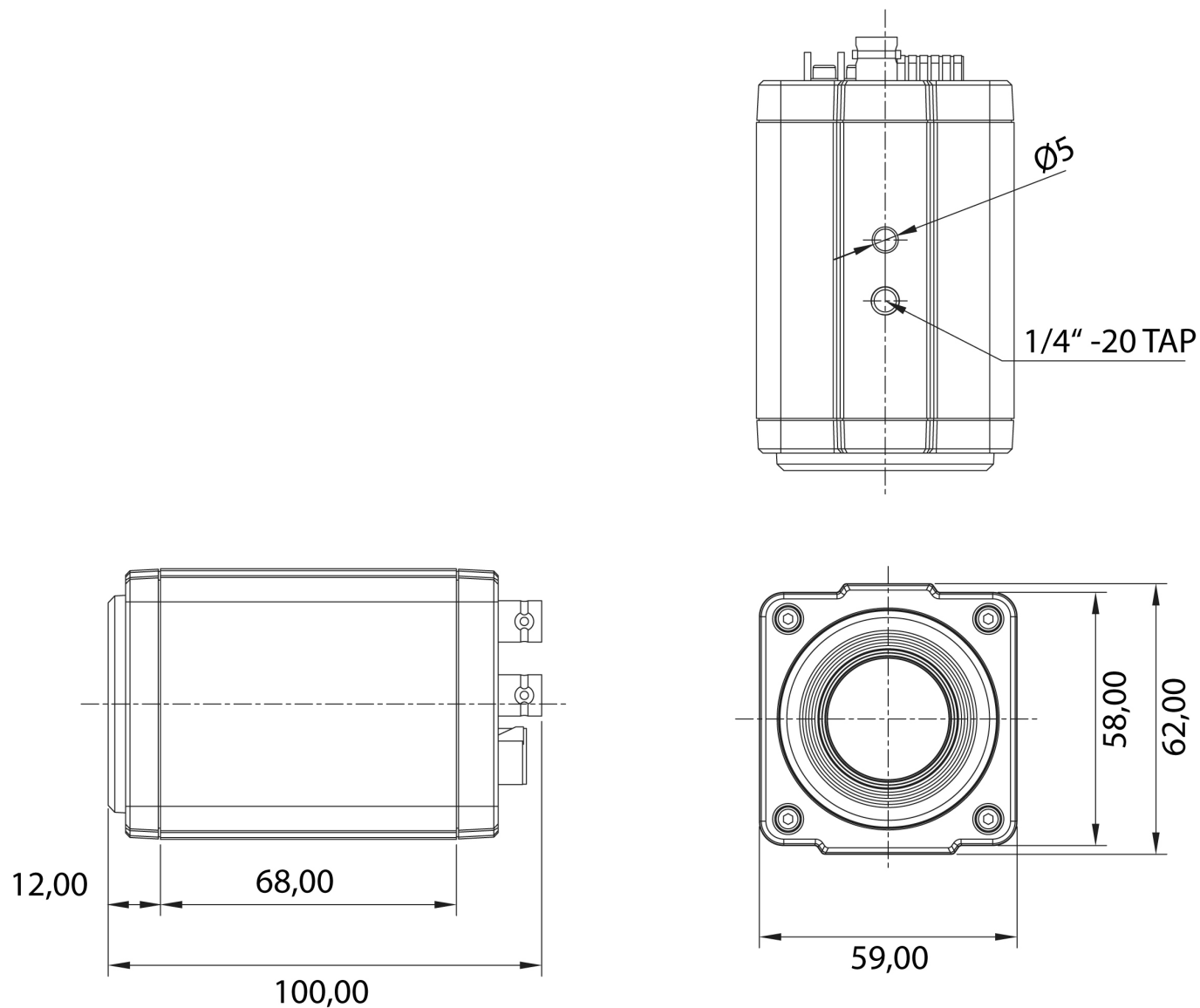
Optional Accessory

SKU	Name	Description
225085	MAM-5DC1004M0A	Distributor, 1x BNC Input HD-TVI, CVI, AHD, CVBS, 4x BNC Output
220299	MAM-5MM1001M0A	Converter, HD-CVI, HD-TVI, AHD, Composite to HDMI, VGA, Composite, Indoor
212984	TVA-1201TRA	UTP Transmitter+Receiver, UTP, BNC, 250m, Indoor, HD TVI CVI, AHD, CVBS, Active, 12V
212985	TVA-1201TRP	UTP Transmitter+Receiver, UTP, BNC, 150m, Indoor, HD TVI CVI, AHD, CVBS, Passive
219504	WD-30	Wall Mount Bracket with Ball Joint, 1/4" Camera Fixing Screw, Pantone Cool Grey 1C

MPC-52A0010M0B

Technical Drawing

Maße / Dimensions in mm



eneo is a registered trademark of
VIDEOR E. Hartig GmbH
Carl-Zeiss-Straße 8

63322 Rödermark, Deutschland

Phone: +49 6074 - 888 - 300
Fax: +49 6074 - 888 - 100
E-Mail: info@eneo-security.com
Web: www.eneo-security.com

Stay informed and subscribe
to the eneo newsletter

