

ISM-52F0021WMA

SKU: 235524



1/2,8" Network Module Camera, 1920x1080, Day&Night,, WDR, 2,1mm, H.265, PoE, 12VDC

Main Features

1/2,8" 2.0 MP CMOS-Sensor

Resolution max. 1920x1080 (Full HD)

Board Camera 50x50x50mm

Quad Streaming (H.265, H.264, MJPEG)

True Day & Night (TDN)

Noise Reduction (2D-/3D-DNR)

WDR 120dB, Smart BLC

Slot for Micro SD memory card

ONVIF conformance, PoE IEEE802.af, Cross Web-Browsing

Audio-, Alarm- In- and Outputs

Privacy zones, password protection, Cross Web-Browsing

NDAA compliant

Specifications

| General: | |
|--------------------|-----------------|
| Dimensions (HxWxD) | 50x50x50mm |
| Illumination | no |
| SDK | upon request |
| Text display | supplied |
| Camera Type | Board Camera |
| Housing | without housing |
| Blower | no |
| Mounting | Einbaumodul |
| Supply voltage | 12VDC, PoE |
| Power consumption | 4.3W |

ISM-52F0021WMA

Continuation of the specifications

| | |
|------------------------------------|---|
| Power over Ethernet | IEEE 802.3af |
| Vandal proof | no |
| Operating temperature | 0°C ~ +40°C |
| ONVIF | ONVIF Profile S, ONVIF Profile T |
| Weight | 125g |
| DORI: | |
| Observe (62 px/m) | 14 m |
| Recognize (125 px/m) | 6,5 m |
| Identify (250 px/m) | 2,9 m |
| Detect (25px/m) | 36,5 m |
| Functions: | |
| Alarm processing | recording internal storage (SD card),E-Mail,FTP,HTTP,HTTPS,alarm out |
| User interface | Type B (white / blue) |
| Motion detector | yes |
| e-PTZ support | yes |
| Menu languages | English,German,French,Russian,Chinese,Korean,Japanese |
| Mirror function | flip,mirror |
| Multicast compliant | yes |
| Password protection | administrator & users |
| Privacy zone masking | Areas-ON/OFF switchable |
| Web browser | MS internet Explorer: ActiveX ex 9.0,Safari: MJPEG setup limited,Mozilla: MJPEG setup limited,Google: MJPEG setup limited,Edge: MJPEG setup limited |
| Digital Noise Reduction | yes |
| Audio support | yes |
| Internal storage | microSDXC card |
| Analysis functions | Motion detection, Perimeter Intrusion Detection (PID), Tampering Detection (TD) |
| Audio | 2 Way Audio |
| Remote configuration | Browser |
| Notes: | |
| Remarks | NDA compliance under Section 889,To guarantee you an optimum user experience, we recommend that you only use components of the same brand in a system. If several brands are used in combination, eneo cannot guarantee functionality. If combined use is necessary, we offer a compatibility check for a fee (for more information, see article number #229235 at VIDEOR). |
| Camera: | |
| Imager | SmartSens,SC200AI,CMOS |
| Automatic electronic shutter (ESC) | 1~1/100.000Sek. |

ISM-52F0021WMA

Continuation of the specifications

| | |
|---------------------------------|---|
| Flickerless function | yes |
| Backlight compensation | BLC |
| Low speed shutter | yes |
| Manual electronic shutter (MES) | 1~1/100.000Sek. |
| Signal-to-noise ratio | 50dB |
| Day&Night mode | Automatic,Day,Night |
| White balance | Automatic |
| Wide Dynamic Range (WDR) | TWDR 120dB,True WDR |
| Resolution Standard | HD 1080p |
| System | True Day&Night |
| Sensor size | 1/2.8" |
| Day&Night switch | ICR |
| Camera type | Platine |
| Parts supplied: | |
| Parts supplied | manual,Connection cable set |
| Network: | |
| Network protocols | IPv4,IGMP,ICMP,TCP,UDP,DHCP,RTP,RTSP,RTCP,DNS,DVRNS,NTP,FTP,HTTP,HTTPS,SMTP,SSL,Ze roconf |
| Lens: | |
| Lens Type | fixed focal length |
| Focal Length | 2,1 mm |
| Iris Control | no |
| Digital Zoom | yes |
| MOD (Minimum Object Distance) | 0,3 m |
| Interfaces / Inputs/ Outputs: | |
| External connectors | Alarm output,Alarm input,Audio input/output,RJ-45,12VDC input (DC plug) |
| Video outputs | no |
| Alarm inputs | 1 |
| Alarm outputs | 1 |
| Ethernet interface | 100Base-TX, 10Base-T |
| Serial interfaces | Ethernet |
| Video: | |
| Resolution | 1920x1080 (16:9),1280x720 (16:9),704x480 (4:3),640x480 (4:3),352x288 (4:3) |
| Image display | VerticalView 90°/270° |
| Stream types | Quad Streaming |
| Video compression | H.264, H.265, MJPEG |
| Image resolution max. | 1920x1080 |
| Image Transmission Rate | 30 fps |
| Other | |
| Horizontal Angle of View | 140° |

ISM-52F0021WMA

Continuation of the specifications

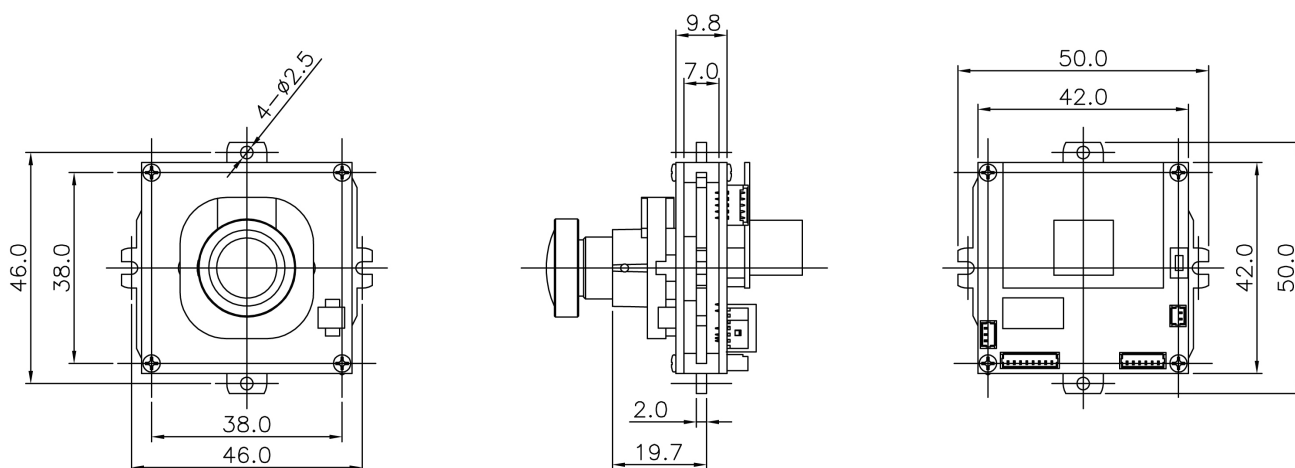
| | |
|------------------------|-----|
| Vertical Angle of View | 78° |
|------------------------|-----|

Optional Accessory

| SKU | Name | Description |
|--------|-------------------|--|
| 218218 | eneo Site Manager | Management Software for eneo IP products |

Technical Drawing

Maße: Dimensions: mm



eneo is a registered trademark of
VIDEOR E. Hartig GmbH
Carl-Zeiss-Straße 8

63322 Rödermark, Deutschland

Phone: +49 6074 - 888 - 300
Fax: +49 6074 - 888 - 100
E-Mail: info@eneo-security.com
Web: www.eneo-security.com

Stay informed and subscribe
to the eneo newsletter

