

ISM-72M2713W0A

SKU: 234669



1/2.8" Network Module Camera, 1920x1080, Day&Night, WDR, 2.7-13.5mm, H.265, PoE, 12VDC

Main Features

1/2.8" Sony STARVIS CMOS Sensor

Excellent light sensitivity

Resolution max. 1920x1080 (Full HD)

Motorised varifocal lens 2.7~13.5mm

DOL-WDR (120dB) by triple scan images at 30/25fps

Motion Detection, Privacy Zones, Slow Shutter

Browser independent (IE, Edge, Safari, Firefox, Chrome)

Smart Codec H.265 ROI (Region of Interest)

Supports ONVIF Profile S and Profile T

Operating temperature -20°C ~ +50°C

Dimensions 50x50x93mm

Power supply PoE or 12VDC

Specifications

General:	
Dimensions (HxWxD)	93x50x50mm
Text display	supplied
Series	eneo AN-Series
Camera Type	Board Camera
Housing	without housing
Blower	yes
Mounting	Flush mount
Supply voltage	12VDC, PoE
Power consumption	4.4W
Power over Ethernet	IEEE 802.3af

ISM-72M2713W0A

Continuation of the specifications

Operating temperature	-20°C ~ +50°C
ONVIF	ONVIF Profile S, ONVIF Profile T
Weight	160g
DORI:	
Observe (62 px/m)	16,6 - 80,5 m
Recognize (125 px/m)	8,2 - 40,1 m
Identify (250 px/m)	3,9 - 20,1 m
Detect (25px/m)	44 - 198 m
Functions:	
Alarm processing	E-Mail,HTTP,FTP,Boost,TCP,UDP,Onvif Event Mapping
User interface	Type A (orange / grey)
Motion detector	yes
e-PTZ support	yes
Menu languages	English,German,French,Korean
Mirror function	mirror,flip
Multicast compliant	yes
Password protection	administrator & users
Privacy zone masking	Areas-ON/OFF switchable
Web browser	MS internet Explorer: ActiveX ex 9.0,Safari: MJPEG,Mozilla: MJPEG,Google Chrome: MJPEG,Edge: MJPEG
Digital Noise Reduction	yes
Audio support	no
Internal storage	no
Analysis functions	Motion detection, Tampering Detection (TD)
Remote configuration	Browser
Notes:	
Remarks	NDAA compliance under Section 889,To guarantee you an optimum user experience, we recommend that you only use components of the same brand in a system. If several brands are used in combination, eneo cannot guarantee functionality. If combined use is necessary, we offer a compatibility check for a fee (for more information, see article number #229235 at VIDEOR).
Camera:	
Imager	Sony STARVIS,Sensor IMX307,CMOS
Automatic electronic shutter (ESC)	1/25 ~ 1/25.000sec
Flickerless function	yes
Backlight compensation	BLC,HLC
Low speed shutter	yes
Manual electronic shutter (MES)	1/25 ~ 1/25.000sec
Signal-to-noise ratio	50dB

ISM-72M2713W0A

Continuation of the specifications

Day&Night mode	Automatic,Day,Night,extern (Sensor)
White balance	Automatic,Outdoor,Light bulb,Fluorescent light,Clear Sky,Shade,Manual
Wide Dynamic Range (WDR)	D-WDR
Resolution Standard	HD 1080p
System	True Day&Night
Sensor size	1/2.8"
Day&Night switch	ICR
Sensitivity	0,0008 Lux at F1,6, 40 IRE
Camera type	Platine
Parts supplied:	
Parts supplied	manual,Connection cable set
Network:	
Network protocols	TCP/IP,UDP,IPv4,IPv6,HTTP,HTTPS,FTP,UPnP,RT P,RTSP,RTCP,DHCP,ARP,Zeroconf,Bonjour,SNMP
Lens:	
Lens Type	Varifocal (motorized)
Focal Length	2,7 - 13,5 mm
Iris Control	DC
Zoom Factor	4x
Digital Zoom	yes
MOD (Minimum Object Distance)	0,5 m
Interfaces / Inputs/ Outputs:	
Alarm inputs	nein
Alarm outputs	no
Ethernet interface	100Base-TX, 10Base-T
Serial interfaces	Ethernet
Video:	
Resolution	1920x1080 (16:9),1280x720 (16:9)
Image display	VerticalView 90°/270°,16:9
Stream types	Multi Streaming
Video compression	H.264, H.264+ (Smart Stream), H.265, H.265+ (Smart Stream), M-JPEG
Image resolution max.	1920x1080
Image Transmission Rate	30 fps
Other	
Horizontal Angle of View	108 - 32°
Vertical Angle of View	56 - 18°
Manufacturer order number	234669

Optional Accessory

SKU	Name	Description
-----	------	-------------

ISM-72M2713W0A

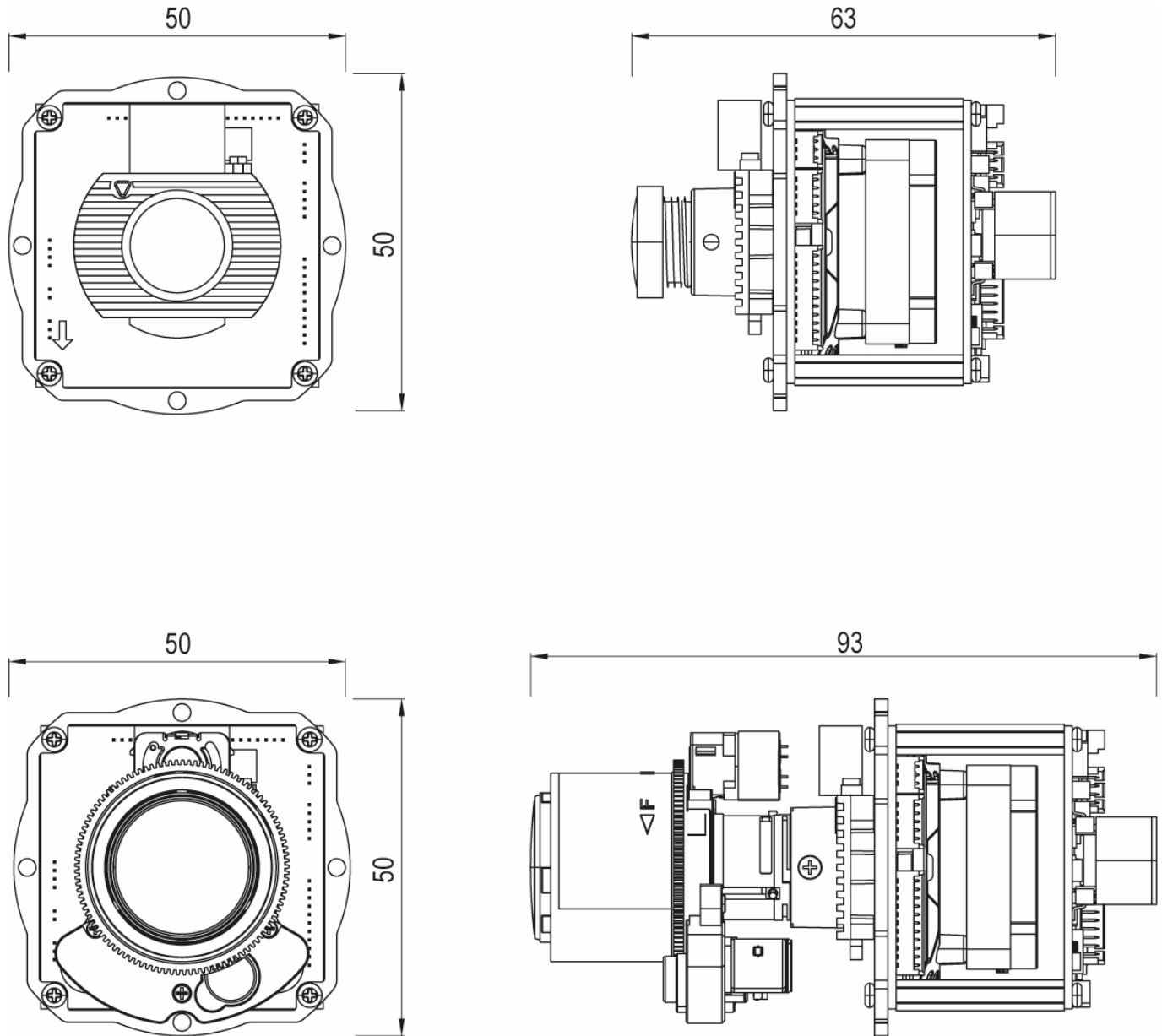
Continuation of accessory

218218

eneo Site Manager

Management Software for eneo IP products

Technical Drawing



Maße / Dimensions: mm



eneo is a registered trademark of
VIDEOR E. Hartig GmbH
Carl-Zeiss-Straße 8

63322 Rödermark, Deutschland

Phone: +49 6074 - 888 - 300
Fax: +49 6074 - 888 - 100
E-Mail: info@eneo-security.com
Web: www.eneo-security.com

Stay informed and subscribe
to the eneo newsletter

