

IAM-5SE1016IMA

SKU: 230036



Gigabit Switch, Managed, 360W Layer 3, 16xPoE, 4x SFP 10G, Industrial Design

Main Features

16-Port Gigabit Switch Managed L3, Fanless

4x SFP 10 Gigabit Uplink Ports

PoE Standard IEEE 802.3af/at

Up to 30W per port, total $\leq 360W$

Power supply not included

Fast Ring-Redundant, Reconfiguration $< 20ms$

ESD protection IEC61000-4-5 standard

Web configuration, Web management

VLAN, PoE management, MAC address table

Port mirroring, password protection

Relay Alarm for power, cable link and PoE link down

Temperature range $-40^{\circ} C \sim +75^{\circ} C$

Specifications

General:	
Dimensions (HxWxD)	95,6x163x110mm
Construction	DIN rail module
Trunk	Contact discharge 6KV, Air discharge 8KV, IEC61000-4-2, IEC61000-4-5
Type	Layer3 Switch
Series	eneo Switch
Mounting	DIN rail, wall mount
Blower	no
PoE ports (number)	16
Management	yes

IAM-5SE1016IMA

Continuation of the specifications

Supply voltage	48~57 VDC
Power consumption	380W max.
Power over Ethernet	IEEE 802.3af, IEEE 802.3at
PoE budget	360 W
Operating temperature	-40°C ~ +75°C
Weight	1.7kg
Functions:	
Multicast compliant	yes
Port mirror	yes
QoS	yes
Security	Password protection, Fast-Ring, Port Isolation, Port speed setup, Radius Authentication
SNMP	yes
Notes:	
Remarks	Power supply unit is not included in the scope of delivery, To achieve the specified PoE budget (total) value, an appropriate optional power supply unit must be used.
Parts supplied:	
Parts supplied	manual, Mounting Bracket
Network:	
Internal switching capacity (Gbit/s)	112 Gbps
Internal switching capacity (Mpps)	83.3 Mpps
Network protocols	RSTP, IGMP, HTTP, HTTPS, SNMPV1, SNMPV2, SNMPV3, QoS, DHCP, IPv4, IPv6, NTP, STP, RIP, OSPF, VRRP, SSH, CLI
Ethernet standards	IEEE 802.3 10BaseT, IEEE 802.3u 100BaseTX, IEEE 802.ab 1000BaseT, IEEE 802.3z 1000BaseSX/LX, IEEE 802.3x Flow Control, IEEE 802.1Q VLAN, IEEE 802.1p Quality of Service, IEEE 802.3ad Link Aggregation, IEEE 802.1D Spanning Tree Protocol, IEEE 802.1w Rapid Spanning Tree Protocol, IEEE 802.1x Radius network access control, IEEE 802.3at Power Over Ethernet (PoE+), IEEE 802.3af Power Over Ethernet (PoE)
VLAN	yes
Interfaces / Inputs/ Outputs:	
Optical connector	SFP Port
Ethernet interface	1000Base-T, 100Base-TX, 10Base-T
Ports	16x 10/100/1000Base-T, 4x 10Gbit SFP, Console RJ45-RS232, OOB 10/100Base-TX
Other	
Manufacturer order number	230036

Optional Accessory

SKU	Name	Description
-----	------	-------------

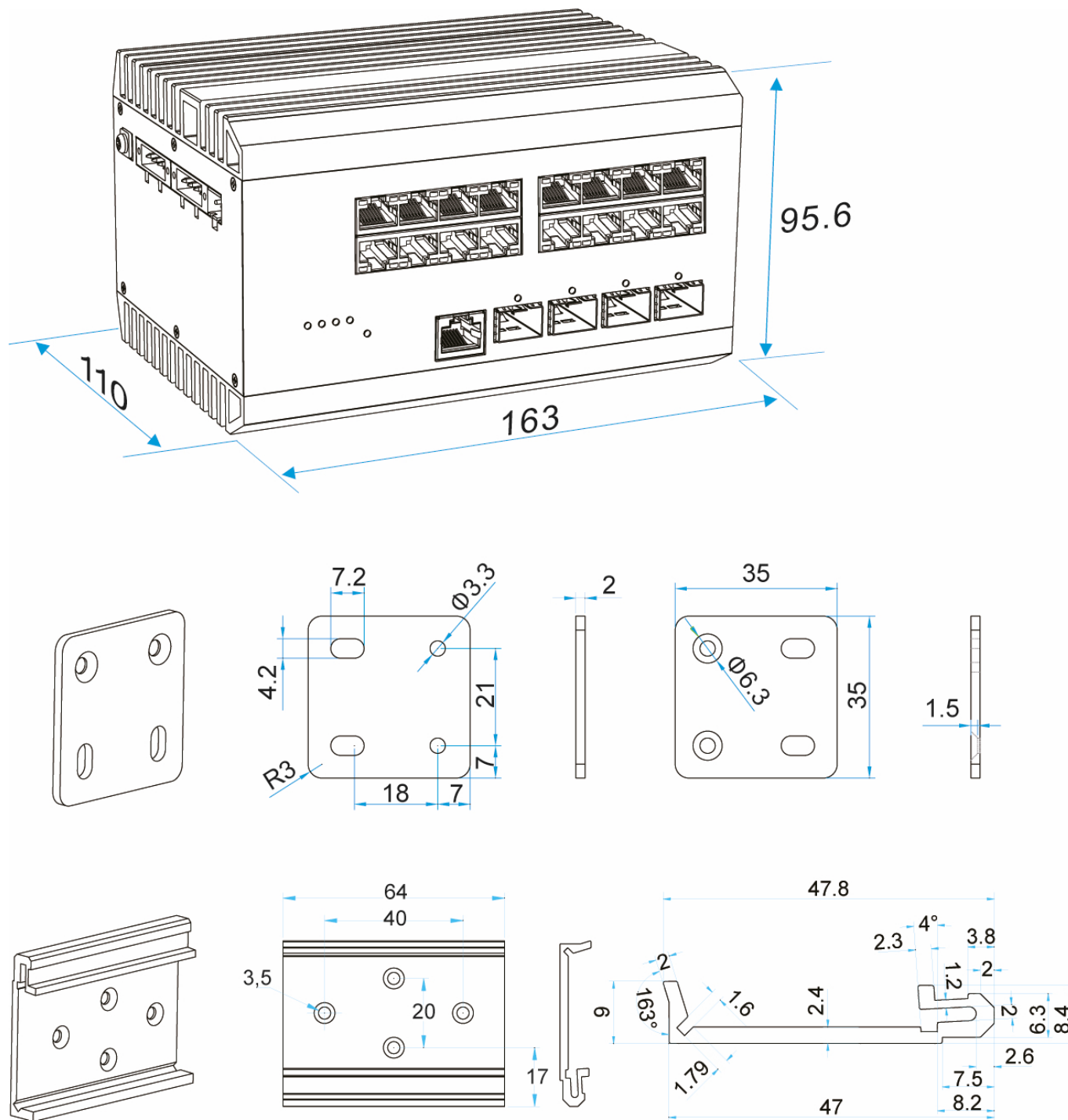
IAM-5SE1016IMA

Continuation of accessory

218218	eneo Site Manager	Management Software for eneo IP products
219525	RJT-1000SFP	RJ45- SFP Transceiver Modul, 1000Base-T, 0°~+70°C
216479	SFP-0850M10	SFP Modul, 1.25Gbps, 550m, Multimode, 850nm, Duplex LC Connector, 0°~+70°C
218759	SFP-0850M10-10G	SFP Modul, 10Gbps, 300m, Multimode, 850nm, Duplex LC Connector, -5°~+70°C
218758	SFP-0850M40	SFP Modul, 1.25Gbps, 550m, Multimode, 850nm, Duplex LC Connector, -40° ~ +70°C
216478	SFP-1310M40	SFP Modul, 1.25Gbps, 550m, Multimode, 1310nm, Duplex LC Connector, -40°~+75°C
216566	SFP-1310S10	SFP Modul, 1.25Gbps, 20km, Singlemode, 1310nm, Duplex LC Connector, 0°~+70°C
218760	SFP-1310S10-10G	SFP Modul, 10Gbps, 10km, Singlemode, 1310nm, Duplex LC Connector, -5°~+70°C
216477	SFP-1310S40	SFP Modul, 1.25Gbps, 20km, Singlemode, 1310nm, Duplex LC Connector -40°~+75°C

IAM-5SE1016IMA

Technical Drawing



Maße / Dimensions: mm



eneo is a registered trademark of
VIDEOR E. Hartig GmbH
Carl-Zeiss-Straße 8

63322 Rödermark, Deutschland

Phone: +49 6074 - 888 - 300
Fax: +49 6074 - 888 - 100
E-Mail: info@eneo-security.com
Web: www.eneo-security.com

Stay informed and subscribe
to the eneo newsletter

