

# ISM-78F0021W0A

SKU: 227047



1/2.8" Network Module Camera, 3840x2160, Day&Night, WDR, 2.1mm, H.265, PoE, 12VDC

## Main Features

1/2.8" Sony STARVIS CMOS Sensor

Excellent light sensitivity

Resolution max. 3840x2160 (4K)

Lens fixed focal length 2.1mm

DOL-WDR (120dB) by triple scan images at 30/25fps

Motion Detection, Privacy Zones, Slow Shutter

Browser independent (IE, Edge, Safari, Firefox, Chrome)

Smart Codec H.265 ROI (Region of Interest)

Supports ONVIF Profile S and Profile T

Operating temperature -20°C ~ +50°C

Dimensions 50x50x64mm

Power supply PoE or 12VDC

## Specifications

General:	
Dimensions (HxWxD)	63x50x50mm
Illumination	no
Text display	supplied
Series	eneo AN-Series
Camera Type	Board Camera
Housing	without housing
Heater	no
Blower	yes
Mounting	Einbaumodul
Supply voltage	12VDC, PoE

# ISM-78F0021W0A

## Continuation of the specifications

Power consumption	7W
Power over Ethernet	IEEE 802.3af
Operating temperature	-20°C ~ +50°C
ONVIF	ONVIF Profile S, ONVIF Profile T
Weight	112g
DORI:	
Observe (62 px/m)	28,5 m
Recognize (125 px/m)	13,3 m
Identify (250 px/m)	5,2 m
Detect (25px/m)	74,2 m
Functions:	
Alarm processing	E-Mail,HTTP,FTP,Boost,TCP,UDP,Onvif Event Mapping
User interface	Type A (orange / grey)
Motion detector	yes
e-PTZ support	yes
Menu languages	English,German,French,Korean
Mirror function	mirror,flip
Multicast compliant	yes
Password protection	administrator & users
Privacy zone masking	Areas-ON/OFF switchable
Web browser	MS internet Explorer: ActiveX ex 9.0,Safari: MJPEG,Mozilla: MJPEG,Google Chrome: MJPEG,Edge: MJPEG
Digital Noise Reduction	yes
Audio support	no
Internal storage	no
Analysis functions	Motion detection, Tampering Detection (TD)
Remote configuration	Browser
Notes:	
Remarks	NDAA compliance under Section 889,To guarantee you an optimum user experience, we recommend that you only use components of the same brand in a system. If several brands are used in combination, eneo cannot guarantee functionality. If combined use is necessary, we offer a compatibility check for a fee (for more information, see article number #229235 at VIDEOR).
Camera:	
Imager	Sony STARVIS,Sensor IMX415,CMOS
Automatic electronic shutter (ESC)	1/25 ~ 1/25.000sec
Flickerless function	yes
Backlight compensation	BLC,HLC
Low speed shutter	yes

# ISM-78F0021W0A

## Continuation of the specifications

Manual electronic shutter (MES)	1/25 ~ 1/25.000sec
Signal-to-noise ratio	50dB
Day&Night mode	Automatic,Day,Night,extern (Sensor)
White balance	Automatic,Outdoor,Light bulb,Fluorescent light,Clear Sky,Shade,Manual
Wide Dynamic Range (WDR)	D-WDR
Resolution Standard	8 Megapixel
System	True Day&Night
Sensor size	1/2.8"
Day&Night switch	ICR
Sensitivity	0,03 Lux at F2,0, 40 IRE
Camera type	Platine
Parts supplied:	
Parts supplied	manual
Network:	
Network protocols	TCP/IP,UDP,IPv4,IPv6,HTTP,HTTPS,FTP,UPnP,RT P,RTSP,RTCP,DHCP,ARP,Zeroconf,Bonjour,SNMP
Lens:	
Lens Type	fixed focal length
Focal Length	2,1 mm
Digital Zoom	yes
MOD (Minimum Object Distance)	0,5 m
Interfaces / Inputs/ Outputs:	
External connectors	RJ-45,12VDC input (DC plug),connection cable approx.40cm
Alarm inputs	nein
Alarm outputs	no
Ethernet interface	100Base-TX, 10Base-T
Serial interfaces	Ethernet
Video:	
Resolution	3840x2160 (16:9),3072x1728 (16:9),2560x1440 (16:9),1920x1080 (16:9),1600x900 (16:9),1280x720 (16:9)
Stream types	Multi Streaming
Video compression	H.264, H.264+ (Smart Stream), H.265, H.265+ (Smart Stream)
Image resolution max.	3840x2160
Image Transmission Rate	30 fps
Other	
Horizontal Angle of View	109°
Vertical Angle of View	58°
Manufacturer order number	227047

## Optional Accessory

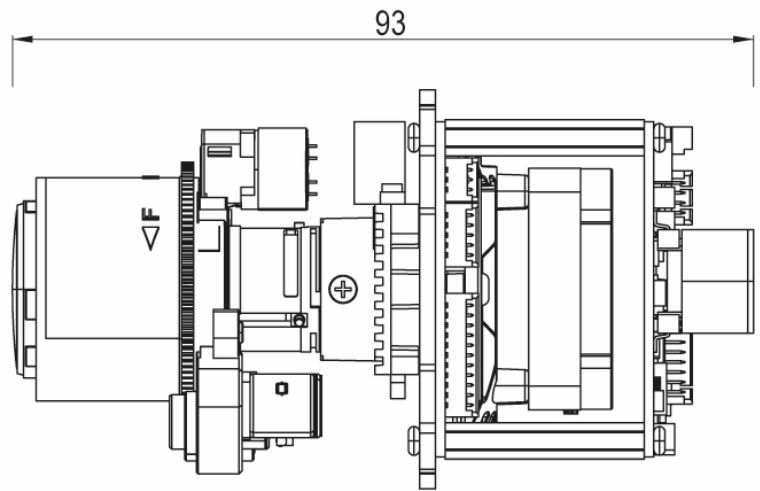
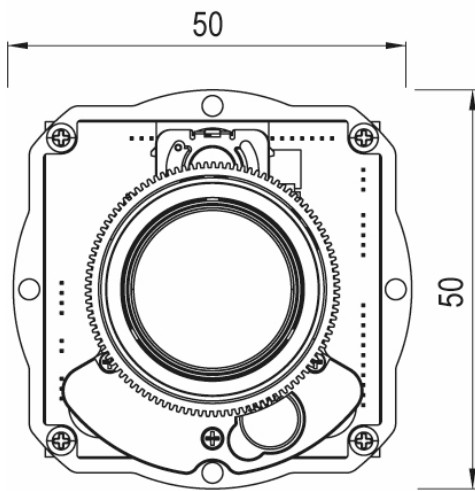
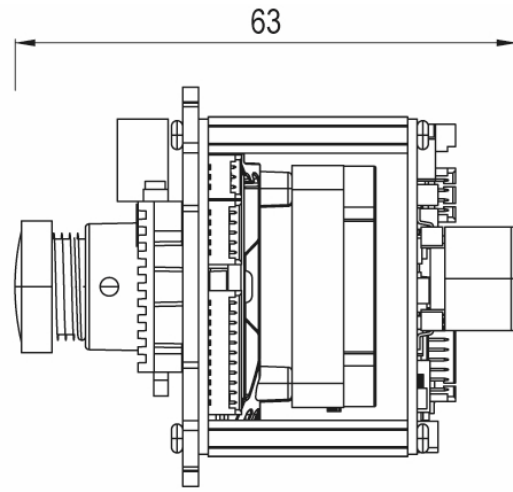
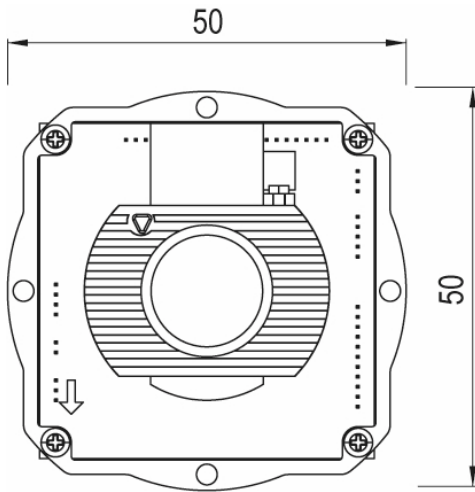
SKU	Name	Description	3
-----	------	-------------	---

# ISM-78F0021W0A

Continuation of accessory

218218	eneo Site Manager	Management Software for eneo IP products
216472	IAD-5SG1008MUA	Gigabit Switch, Unmanaged, 120W, 8x PoE, 1xSFP, 1x RJ45, 10/100/1000 Mbps, Desktop

## Technical Drawing



Maße / Dimensions: mm



eneo is a registered trademark of  
VIDEOR E. Hartig GmbH  
Carl-Zeiss-Straße 8

63322 Rödermark, Deutschland

Phone: +49 6074 - 888 - 300  
Fax: +49 6074 - 888 - 100  
E-Mail: [info@eneo-security.com](mailto:info@eneo-security.com)  
Web: [www.eneo-security.com](http://www.eneo-security.com)

Stay informed and subscribe  
to the eneo newsletter

