

# MPD-78M2713M0A

SKU: 226889



1/2,8" HD Dome Fix, Day&Night 3840x2160, Infrared, WDR, 2,7-13,5mm, 12/24V, IP67

## Main Features

1/2.8" 8.64 Megapixel SONY STARVIS CMOS-Sensor

Resolution max. 3840x2160@15/12,5fps

Motorised varifocal lens 2,7~13,5mm

Separate outputs for digital and multi-signal

Multisignal: HD-TVI, AHD selectable, Composite SUB

Digital signal: EX-SDI, HD-SDI selectable

DOL-WDR by triple scan images at 30/25fps &

ROI (Region of Interest) WDR mode

DIS (Digital Image Stabilization) function

IP67, IK10, 3-Axis gimbal

For wall or ceiling flush mount

IR Illumination (2 x SMD High Power LED's)

## Specifications

General:	
Dimensions (HxWxD)	119x140mm
Illumination	2x High Power LEDs 850nm, Infrared
Text display	ON/OFF switchable
Series	eneo Callisto, eneo COAXIZE, eneo KX-Series
Housing	Outdoor
Color (housing)	Pantone Cool Gray 1C
Color (bubble)	clear
Housing material	Aluminium
Heater	no
Blower	no

# MPD-78M2713M0A

## Continuation of the specifications

Mounting	Ceiling mount, Wall mount
Supply voltage	12VDC, 24VAC
Power consumption	12W
Vandal proof	yes
Operating temperature	-50°C ~ +50°C
Certifications	IK10
Protection rating	IP67
Illumination range	approx. 40m
Weight	1.0kg
Functions:	
Motion detector	yes
OSD function control	OSD camera setup
Menu languages	English, German, Japanese, Chinese, Korean
Mirror function	mirror, H-flip
Privacy zone masking	Areas-ON/OFF switchable
Vertical tilt range	65 °(25 ~ 90°)
Digital Noise Reduction	yes
Rotation range	+/-173°
Analysis functions	Defog, Digital image stabilization
Camera:	
Imager	Sony STARVIS, Sensor IMX415, CMOS
Automatic electronic shutter (ESC)	1/25 ~ 1/25.600sec.
Flickerless function	yes
Backlight compensation	BLC, HLC
Low speed shutter	yes
Manual electronic shutter (MES)	1/25 ~ 1/25.600sec.
Signal-to-noise ratio	50dB
Day&Night mode	Automatic, Day, Night, extern (built in Sensor), night-color mode
White balance	Automatic, AUTOext, Preset, Manual
Wide Dynamic Range (WDR)	D-WDR
System	True Day&Night
Sensor size	1/2.8"
Day&Night switch	ICR
Sensitivity	0,06 Lux at F1,6, 40 IRE
Camera type	Dome
Parts supplied:	
Parts supplied	manual, Video sub-out cable, drilling template, bag of screws
Lens:	
Lens Type	Varifocal (motorized)
Focal Length	2,7 - 13,5 mm
Iris Control	DC

# MPD-78M2713M0A

## Continuation of the specifications

Zoom Factor	5x
Digital Zoom	yes
MOD (Minimum Object Distance)	0,5 m
Aperture range (F)	F1.6
Interfaces / Inputs/ Outputs:	
External connectors	voltage input, video (BNC), connection cable approx. 15cm
Serial interfaces protocols	UTC (HD-Signal Format)
Video outputs	AHD, Composite (CVBS), composite (CVBS) SUB, CVI, EX-SDI, HD-SDI, HD-TVI
Alarm inputs	nein
Alarm outputs	no
Serial interfaces	Coaxitron (HD Protocol)
Video:	
Synchronization	internal
Signal format	AHD @ 8MP, Composite (FBAS), CVI @ 8MP, EX-SDI @ 8MP, HD-SDI (1.485 Gbps), HD-TVI @ 8MP
Frame rate	12,5/15fps @ 3640x2160p, 25/30fps @ 1920x1080p, 25/30fps @ 2560x1440p
Other	
Remarks	NDAA compliance under Section 889
Special features	Hard Coated Bubble (Hardness grade - H) -- Anti Scratch Protection
Video standard	PAL/NTSC
Resolution Pixels	1920x1080, 2560x1440, 3840x2160
Horizontal Angle of View	105 - 45°
Vertical Angle of View	59 - 25°
Manufacturer order number	226889

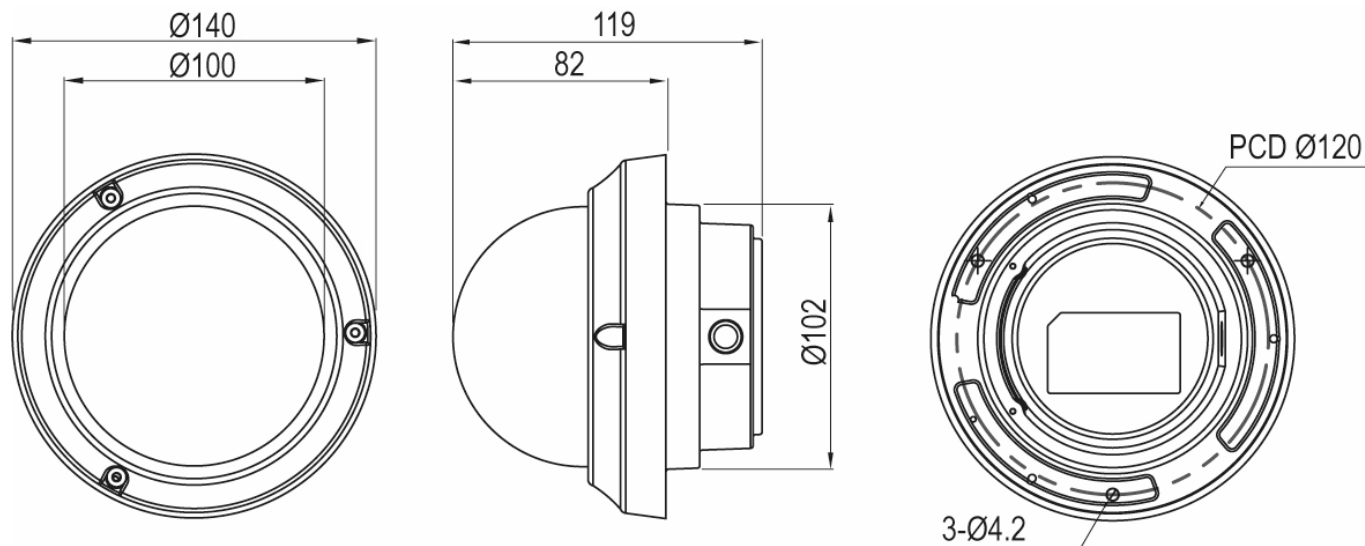
## Optional Accessory

SKU	Name	Description
209832	AK-5	Camera Junction Box, for Callisto Dome series, IP66
216923	DOME-S1	Sun Shield for eneo Callisto Dome Series
209880	DOME-WB1+DOME/ Basis1	Wall Bracket & Surface mount base, Callisto Dome line
215644	DOME-WB3	Wall bracket for eneo Dome Cameras MED-62xxxxxM0A and IED-62xxxxxM0A
209831	DOME/BASIS1	Surface mount base , Callisto Dome line
207192	DOME/WEDGE2	Wedge Adapter, Callisto Dome Line
225085	MAM-5DC1004M0A	Distributor, 1x BNC Input HD-TVI, CVI, AHD, CVBS, 4x BNC Output
236125	MAM-5MM2203M0A	Converter, 4K HD-TVI, HD-CVI, AHD, auf HDMI, Indoor 12VDC

# MPD-78M2713M0A

Continuation of accessory

## Technical Drawing



Maße/Dimensions: mm



eneo is a registered trademark of  
VIDEOR E. Hartig GmbH  
Carl-Zeiss-Straße 8

63322 Rödermark, Deutschland

Phone: +49 6074 - 888 - 300  
Fax: +49 6074 - 888 - 100  
E-Mail: [info@eneo-security.com](mailto:info@eneo-security.com)  
Web: [www.eneo-security.com](http://www.eneo-security.com)

Stay informed and subscribe  
to the eneo newsletter

