

ICB-68M3611M5A

SKU: 220592



1/2,5" Network Camera 3840x2160, Day&Night, DOL-WDR 3,6-11mm, Infrared, IP67

Abb. ähnlich

Main Features

- 1/2.5" Sony STARVIS CMOS sensor
- 4K UHD Resolution 3840x2160, @25/30fps
- Motorised varifocal lens 3,6~11mm
- DOL-WDR (120dB) by triple scan images at 30/25fps
- VCA video analysis, ONVIF event mapping
- Browser independent (IE, Edge, Safari, Firefox, Chrome)

- Smart Codec H.265 ROI (Region of interest)
- Quad Smart Streaming: H.265(+), H.264(+), MJPEG
- Micro SD Card, HTML5 replay, Audio, Alarm
- Power supply PoE IEEE 802.3af
- Integrated connection box including connection board
- Supports ONVIF Profile S and Profile T

Specifications

Series	eneo Candid Small,eneo LN-Series
Camera:	
Camera type	Bullet
Sensor size	1/2.5"
Resolution Standard	4K Ultra HD
Imager	CMOS, Sony STARVIS,Sensor IMX274
System	True Day&Night
Sensitivity	0,2 Lux, at F1.5,40IRE
Low Speed Shutter	yes
Low speed shutter	1x~10x
Manual electronic shutter (MES)	1/25 ~ 1/10000sec.

ICB-68M3611M5A

Continuation of the specifications

Automatic electronic shutter (ESC)	1/25 ~ 1/10.000sec.
Wide Dynamic Range (WDR)	DOL-WDR 120dB,D-WDR
Flickerless function	yes
Backlight Compensation	BLC,HLC
Day&Night switch	ICR
Day&Night mode	auto,day,night,night-color mode,extern (Sensor)
White balance	ATW-Indoor,ATW-Outdoor>manual,Fluorescent light,Light bulb,Shade,Clear Sky,Flammes
Signal-to-noise ratio	50dB
Video:	
Resolution	3840x2160 (16:9),2592x1520 (16:9),1920x1080 (16:9),1600x900 (16:9),1280x720 (16:9),960x540 (16:9),640x360 (16:9),320x180 (16:9)
Image resolution max.	3840x2160
Image display	VerticalView 90°/270°,4:3,16:9
Stream types	Multi Streaming
Image Transmission Rate	30 fps
Video compression	H.264,H.264+ (Smart Stream),H.265,H.265+ (Smart Stream),M-JPEG
Lens:	
Lens Type	Varifocal (motorized)
Zoom Factor	3x
Focal Length	3,6 - 11 mm
Digital Zoom	yes
MOD (Minimum Object Distance)	0,5 m
Iris Control	DC
Vertical Angle of View	46 - 21°
Horizontal Angle of View	84 - 40°
DORI:	
Detect (25px/m)	85,3 - 211,1 m
Observe (62 px/m)	34,2 - 85 m
Recognize (125 px/m)	16,9 - 42,3 m
Identify (250 px/m)	7,9 - 20,8 m
Functions:	
Multicast compliant	yes
Motion Detector	yes
Analysis functions	motion detection,Field detection,Object left,removed,Defog,Line detection
Alarm processing	recording internal storage,E-Mail,HTTP,FTP,Boost,TCP,UDP,Onvif Event Mapping,alarm out
Audio support	yes
Audio	2 Way Audio

ICB-68M3611M5A

Continuation of the specifications

Password protection	yes
e-PTZ support	yes
Internal storage	microSDHC card,microSDXC card
Menu languages	English,German,French,Korean
Privacy zone masking	Areas-ON/OFF switchable
Remote configuration	web browser
Web browser	MS internet Explorer: ActiveX ex 9.0,Safari: MJPEG,Mozilla: MJPEG,Google Chrome: MJPEG,Edge: MJPEG
User interface	Type A (orange / grey)
Mirror function	mirror,flip
Digital Noise Reduction	yes
Network:	
Network protocols	TCP/IP,UDP,IPv4,IPv6,HTTP,HTTPS,FTP,UPnP,RT P,RTSP,RTCP,DHCP,ARP,Zeroconf,Bonjour
Interfaces / Inputs/ Outputs:	
Video outputs	no
External connectors	micro SD card slot,Connection board (LSA, RJ45, audio, I / O alarm & Sabotage contacts)
Ethernet interface	10Base-T,100Base-TX
Alarm inputs	1
Alarm outputs	1
Serial interfaces	Ethernet
General:	
Dimensions (HxWxD)	130,50x82,15x265,80mm
Weight	1.25kg
Illumination	infrared
Illumination	4x High Power LEDs 850nm
Illumination range	approx. 40m
Color (housing)	Pantone Cool Gray 1C
Housing	outdoor
Housing material	aluminium
Integrated wall mount	yes
Power consumption	9,2W
Blower	yes
Mounting	wall mount,ceiling mount
ONVIF	ONVIF Profile S,ONVIF Profile T
Power over Ethernet	IEEE 802.3af
Protection rating	IP67
SDK	upon request
Sunshield	yes
Supply voltage	PoE
Operating temperature	-50°C ~ +50°C

ICB-68M3611M5A

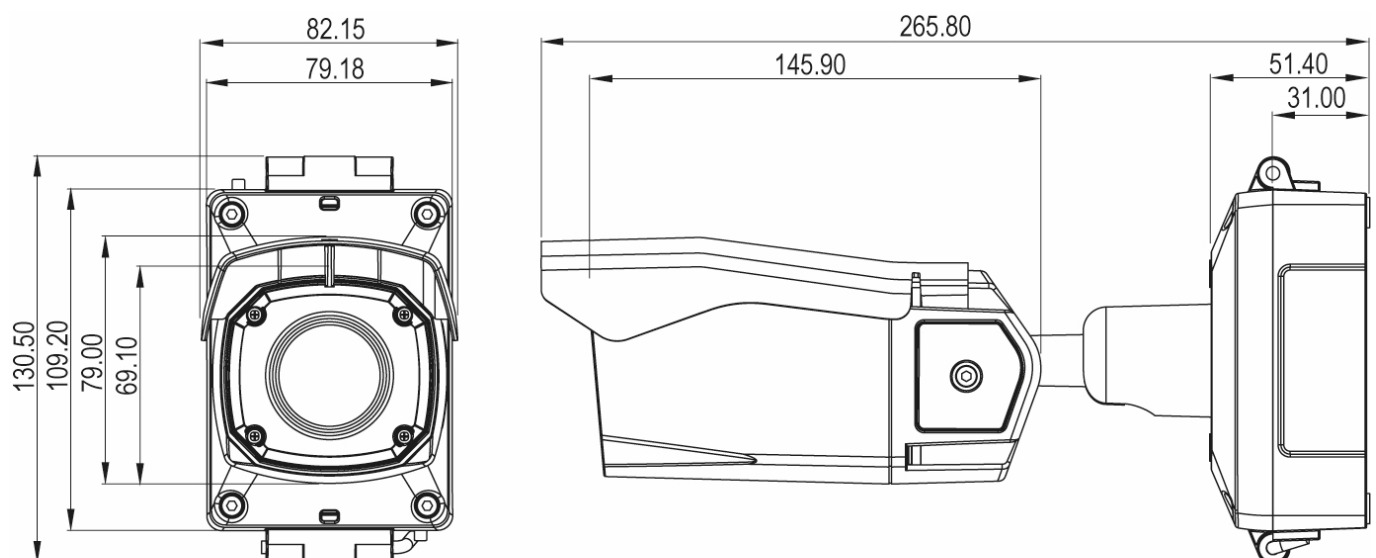
Continuation of the specifications

Text display	supplied
Vandal proof	no
Parts supplied:	
Parts supplied	manual, bag of screws
Notes:	
Special features	Integrated connection box with sabotage alarm contact, Simple wiring, the integrated connection board offers the possibility of network cabling via LSA connection bar or RJ45 socket. Terminal block for connection of alarm contacts and audio.

Optional Accessory

SKU	Name	Description
218218	eneo Site Manager	Management Software for eneo IP products
216472	IAD-5SG1008MUA	Gigabit Switch, Unmanaged, 120W, 8x PoE, 1xSFP, 1x RJ45, 10/100/1000 Mbps, Desktop
214460	IAR-7SE1024MMA	Gigabit Switch, 2x RJ45, 24x PoE 100Mbps, 2xSFP 1000Mbps, 390W, Managed, 19", 1U
202641	PM-42A	Pole mount adaptor for eneo Candid, Candid S, Candid M, WB1, AK-5, AK-4

Technical Drawing



Dimensions / Maße: mm



eneo is a registered trademark of
VIDEOR E. Hartig GmbH
Carl-Zeiss-Straße 8
63322 Rödermark, Deutschland

Phone: +49 6074 - 888 - 300
Fax: +49 6074 - 888 - 100
E-Mail: info@eneo-security.com
Web: www.eneo-security.com

Stay informed and subscribe
to the eneo newsletter

