

ISD-59P0010P0A

SKU: 220196



1/1,7" Network Dome, fixed, Day/Night, 4000x3000, H.265, 1,29mm, 360°, infrared, IP66

Main Features

1/1.7" Sony STARVIS CMOS-Sensor	Quad Stream (H.264/H.265x3, MJPEGx1)
1.29mm fixed lens FishEye camera	Cross Web-Browsing
360° Panorama-, Corridor-, Quad-, Panomorph-View, ceiling mount	True WDR (Digital Wide Dynamic Range)
Integration in eneo Center Software	Framerate increase on motion detection (Smart Codec)
True Day & Night	IR-LED Illumination integrated
Resolution max. 4000x3000@20fps	Compact design for indoor application

Specifications

General:	
Dimensions (HxWxD)	58,7x151,4mm
Illumination	6x LEDs 850nm, Infrared
Text display	supplied
Series	eneo SN-Series
Camera Type	Fisheye Kamera
Color (housing)	white
Housing material	Metal
Heater	no
Blower	no
Mounting	Ceiling mount, Wall mount

ISD-59P0010P0A

Continuation of the specifications

Supply voltage	12VDC, PoE
Power consumption	12.5W @ PoE,, 15W @ VDC12V
Power over Ethernet	IEEE 802.3af
Vandal proof	yes
Operating temperature	-20°C ~ +50°C
ONVIF	ONVIF Profile S, ONVIF Profile T
Certifications	IK10
Protection rating	IP66
Illumination range	approx. 10m
Weight	750g
DORI:	
Observe (62 px/m)	25 m
Recognize (125 px/m)	11 m
Identify (250 px/m)	5 m
Detect (25px/m)	60 m
Functions:	
Alarm processing	recording internal storage (SD card),E-Mail,FTP,Boost,HTTP,TCP,UDP,HTTPS,XML,alarm out
Motion detector	yes
Menu languages	English,German,French,Russian,Chinese,Korean,Japanese
Multicast compliant	yes
Password protection	yes
Web browser	MS internet Explorer: ActiveX ex 9.0,Safari: MJPEG setup limited,Mozilla: MJPEG setup limited,Google: MJPEG setup limited,Edge: MJPEG setup limited
Digital Noise Reduction	yes
Audio support	yes
Internal storage	microSD card, microSDXC card
Analysis functions	Defog, Intrusion, Loitering detection, Motion analysis, Motion detection, Person recognition, Tampering protection, Trip wire plus object counting
Audio	2 Way Audio
Remote configuration	Browser
Camera:	
Imager	Sony STARVIS,Sensor IMX226,CMOS
Automatic electronic shutter (ESC)	1~1/20.000sec.
Backlight compensation	BLC
Low speed shutter	yes
Manual electronic shutter (MES)	1~1/20.000sec.
Day&Night mode	Automatic,Day,Night
White balance	Automatic,fluorescent,Manual,Outdoor,incandescent

ISD-59P0010P0A

Continuation of the specifications

Wide Dynamic Range (WDR)	WDR 120dB
Resolution Standard	8 Megapixel
System	True Day&Night
Sensor size	1/1,7"
Day&Night switch	ICR
Sensitivity	0,3 Lux at F2,8
Camera type	Dome
Parts supplied:	
Parts supplied	manual,bag of screws
Network:	
Network protocols	TCP/IP,UDP,IPv4,IPv6,HTTP,HTTPS,FTP,UPnP,RT P,RTSP,RTCP,DHCP,ARP,Zeroconf,Bonjour,QoS
Lens:	
Lens Type	fixed focal length
Focal Length	1,29 mm
Iris Control	DC
Digital Zoom	yes
MOD (Minimum Object Distance)	0,1 m
Interfaces / Inputs/ Outputs:	
External connectors	Alarm output,Alarm input,Audio input/output,RJ-45,12VDC input (DC plug),connection cable approx.40cm
Alarm inputs	1
Alarm outputs	1
Ethernet interface	100Base-TX, 10Base-T
Serial interfaces	Ethernet
Video:	
Resolution	4000x3000 (4:3),3000x3000,2560x2560,,2160x2160, 2048x2048,1280x1280,640x640,480x480
Image display	360° Panorama,2x 180° Panorama,360° +3PTZ,VerticalView 90°
Stream types	Quad Streaming
Video compression	H.264, H.264+ (Smart Stream), H.265, H.265+ (Smart Stream), M-JPEG
Image resolution max.	4000x3000
Image Transmission Rate	30 fps
Other	
Remarks	To guarantee you an optimum user experience, we recommend that you only use components of the same brand in a system. If several brands are used in combination, eneo cannot guarantee functionality. If combined use is necessary, we offer a compatibility check for a fee (for more information, see article number #229235 at VIDEOR).

ISD-59P0010P0A

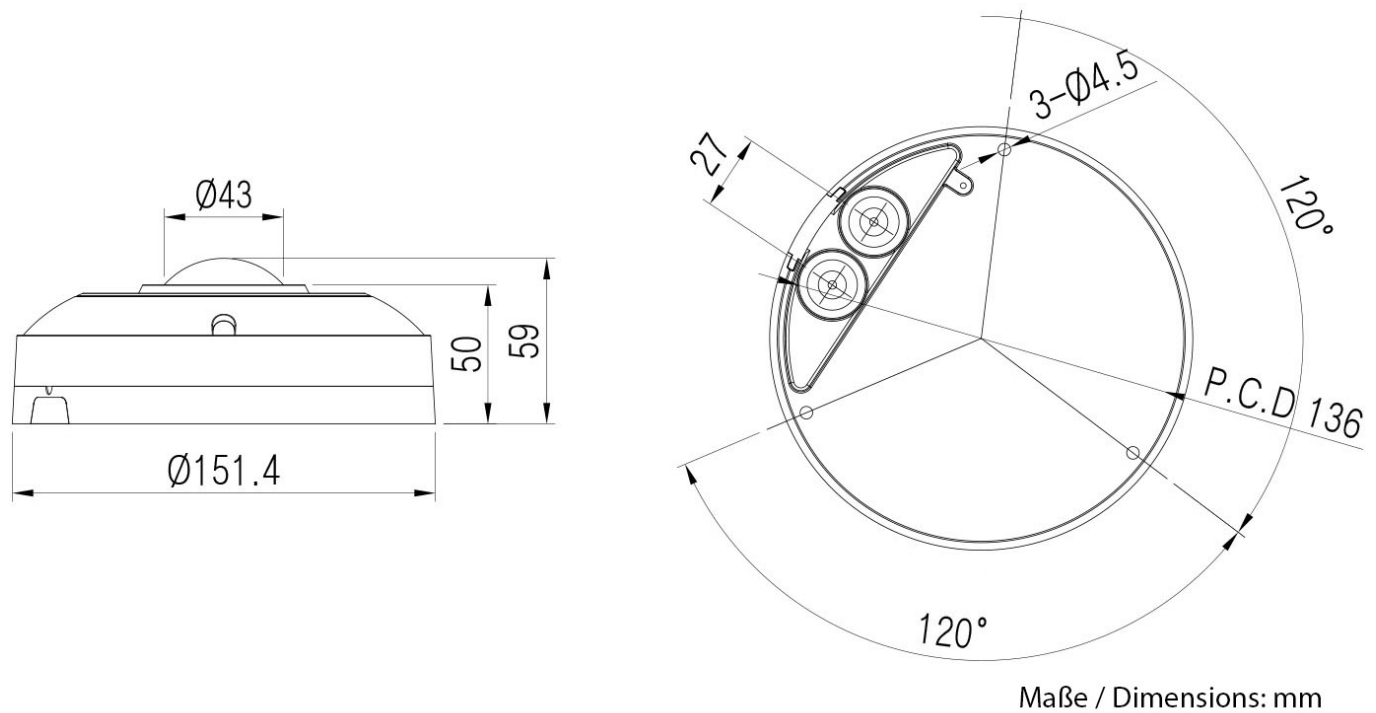
Continuation of the specifications

Horizontal Angle of View	360°
Manufacturer order number	220196

Optional Accessory

SKU	Name	Description
225730	AK-9B	Camera junction box for DH-6, Dome-WB4
218218	eneo Site Manager	Management Software for eneo IP products
216472	IAD-5SG1008MUA	Gigabit Switch, Unmanaged, 120W, 8x PoE, 1xSFP, 1x RJ45, 10/100/1000 Mbps, Desktop
218653	PS12DC-11	Plug-in Power Supply Unit, 100-240VAC/12VDC (1,0A), regulated, with DC Plug

Technical Drawing



eneo is a registered trademark of
VIDEOR E. Hartig GmbH
Carl-Zeiss-Straße 8

63322 Rödermark, Deutschland

Phone: +49 6074 - 888 - 300
Fax: +49 6074 - 888 - 100
E-Mail: info@eneo-security.com
Web: www.eneo-security.com

Stay informed and subscribe
to the eneo newsletter

