

MPP-72A0020MIA

SKU: 219809



1/2,8" HD Analogue Dome, PTZ, Day&Night, 20x, 4,7-94mm, WDR 1920x1080, Infrared, IP66

Main Features

1/2,8" Sony STARVIS CMOS-Sensor

20x Auto Focus Zoom, 4.7 ~ 94mm / 16x Digital

Resolution max. 1920x1080 (Full HD)

Separate outputs for HD signals and composite

Signal formats: HD-TVI, AHD selectable, composite

Real time WDR (Wide Dynamic Range) 25 / 30fps

Integrated infrared lighting (up to 60m)

3D DNR noise reduction, auto-calibration

Protected areas, Defog function

Alarm inputs and outputs, 12VDC, IP66

Specifications

Series	eneo COAXIZE
Camera:	
Camera type	PTZ
Sensor size	1/2.8"
Resolution Pixels	1280x720, 720x576, 1920x1080
Imager	CMOS, Sony STARVIS, Sensor IMX291
System	True Day&Night
Sensitivity	0,35 Lux, at F1.6, 50 IRE
Low Speed Shutter	yes
Low speed shutter	ON/OFF switchable
Manual electronic shutter (MES)	1/25 ~ 1/30.000sec
Automatic electronic shutter (ESC)	1/25 ~ 1/30.000sec.

MPP-72A0020MIA

Continuation of the specifications

Wide Dynamic Range (WDR)	WDR 120dB, Real Time WDR 25/30fps
Flickerless function	yes
Backlight Compensation	BLC,HLC
Day&Night switch	ICR
Day&Night mode	auto,day,night
White balance	automatic,manual,Light bulb,Fluorescent
Signal-to-noise ratio	50dB
Video:	
Signal format	Composite (FBAS),HD-TVI @ 2MP,AHD @ 2MP
Frame rate	25/30fps @ 1920x1080p,50/60fps @ 1280x720p
Synchronization	internal
Lens:	
Lens Type	auto focus zoom
Zoom Factor	20x
Focal Length	4,7 - 94 mm
Digital Zoom	16x
MOD (Minimum Object Distance)	1 m
Aperture range (F)	F1.6~F3.0
Iris control	DC
Vertical Angle of View	32,4 - 1,7°
Horizontal Angle of View	55,5 - 3°
Video standard	PAL/NTSC
DORI:	
Detect (25px/m)	70 - 1370 m
Observe (62 px/m)	28 - 550 m
Recognize (125 px/m)	13 - 270 m
Identify (250 px/m)	7 - 130 m
Functions:	
Motion Detector	yes
Analysis functions	Defog,DIS (digital image stabilisation)
Presets	240 presets
Patterns	8 pattern
Home position	included (with multiple park actions)
Tours	up to 8 user programmable guard tours
Auto calibration	yes
Rotation range	360°
Speed (manual)	380°/Sek.
Speed (preset)	380°/Sek.
OSD function control	OSD camera setup
Menu languages	English,German,French,Italian,Spanish,Polish,Portuguese
Privacy zone masking	Areas-ON/OFF switchable

MPP-72A0020MIA

Continuation of the specifications

Mirror function	H/V flip
Digital Noise Reduction	yes
Interfaces / Inputs/ Outputs:	
Video outputs	AHD,HD-TVI,composite (CVBS)
External connectors	alarm in/output,voltage input,RS-485,Composite (FBAS),HD-TVI / AHD BNC,connection cable approx.25cm
Alarm inputs	4
Alarm outputs	2
Serial interfaces	RS-485,Coaxitron (HD Protocol)
Serial interfaces protocols	Fastrax IIE,Fastrax IIIE,Pelco D,UTC (HD-Signal Format)
General:	
Dimensions (HxWxD)	208,3x182,4mm
Weight	2.8kg
Illumination	infrared
Illumination	4x High Power LEDs 850nm
Illumination range	approx. 60m
Color (housing)	white,black
Housing	outdoor
Housing material	aluminium
Heater	no
Power consumption	18W
Blower	no
Mounting	wall mount,ceiling mount, (mounting accessories not supplied)
Window heater	no
Protection rating	IP66
Supply voltage	12VDC
Operating temperature	-20°C ~ +50°C
Text display	supplied
Vandal proof	no
Parts supplied:	
Parts supplied	manual,plug set,bag of screws

Optional Accessory

SKU	Name	Description
216209	DOME-WB2-W	Wall bracket for IED-63xx Metal series and IEP-63Mxx, MEP-62Mxx
221234	EDMC/CWB-1-W	Wall or Pendant Mount Kit white, for Dome Camera Series MPP-72xx, IPP-72xx
217652	KBD-2USB	System Keyboard with 3-Axis Joystick, Jog Shuttle, USB, RS-485, 12VDC,

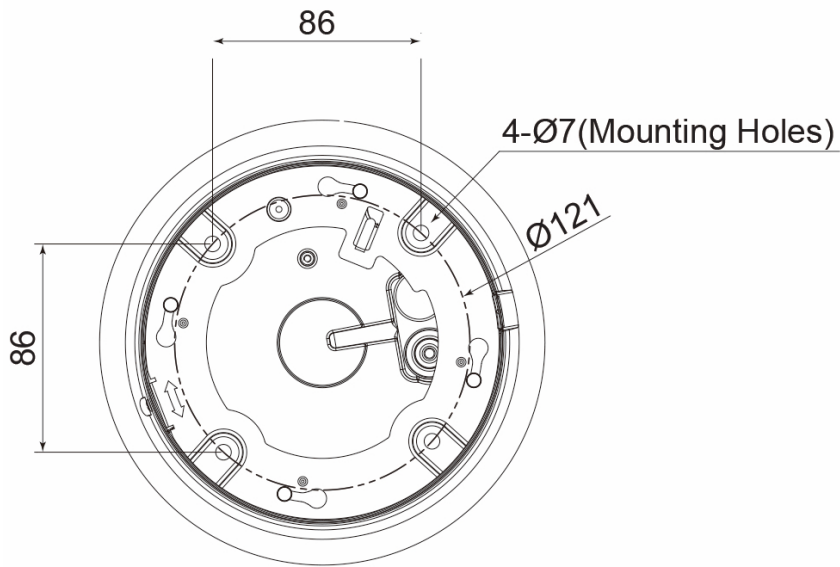
MPP-72A0020MIA

Continuation of accessory

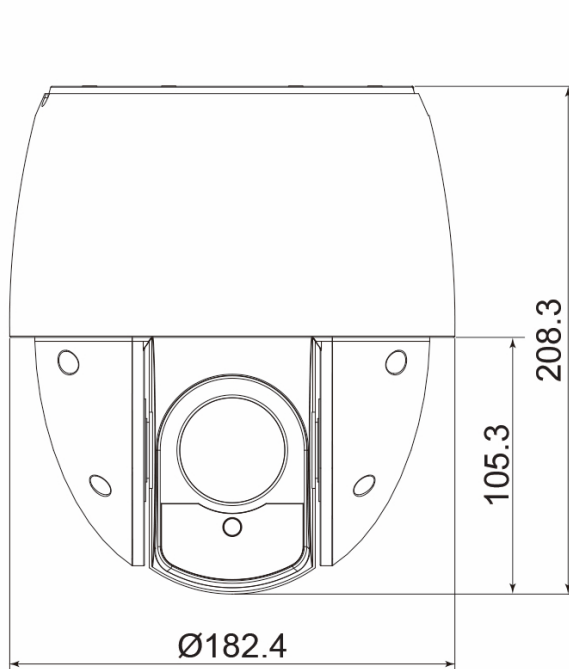
225085	MAM-5DC1004M0A	Distributor, 1x BNC Input HD-TVI, CVI, AHD, CVBS, 4x BNC Output
220299	MAM-5MM1001M0A	Converter, HD-CVI, HD-TVI, AHD, Composite to HDMI, VGA, Composite, Indoor
212984	TVA-1201TRA	UTP Transmitter+Receiver, UTP, BNC, 250m, Indoor, HD TVI CVI, AHD, CVBS, Active, 12V
212985	TVA-1201TRP	UTP Transmitter+Receiver, UTP, BNC, 150m, Indoor, HD TVI CVI, AHD, CVBS, Passive

MPP-72A0020MIA

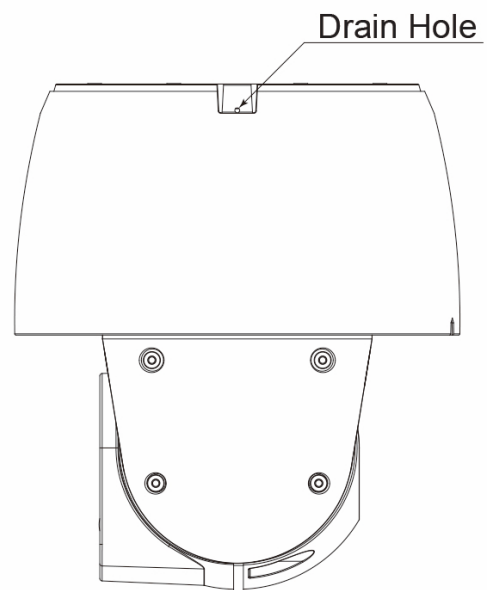
Technical Drawing



TOP VIEW



FRONT VIEW



SIDE VIEW

Maße / Dimensions: mm



eneo is a registered trademark of
VIDEOR E. Hartig GmbH
Carl-Zeiss-Straße 8
63322 Rödermark, Deutschland

Phone: +49 6074 - 888 - 300
Fax: +49 6074 - 888 - 100
E-Mail: info@eneo-security.com
Web: www.eneo-security.com

Stay informed and subscribe
to the eneo newsletter

