

MPC-54A0003M0A

SKU: 218643



1/2,9" HD Camera 2560x1440, Day&Night, AF Zoom, WDR, 3,2-9 mm, Indoor

Main Features

1/2,9" 6,64 Megapixel SONY STARVIS CMOS-Sensor

Resolution max. 2560x1440@25/30fps

Optical 3x auto focus zoom, 3,2~9mm

Separate outputs for digital and multi-signal

Multisignal: HD-TVI, AHD selectable

Digital signal: EX-SDI, HD-SDI selectable

DOL-WDR by triple scan images at 30/25fps &

ROI (Region of Interest) WDR mode

Point of Interest & Smart Motion Zoom

Compact design

Specifications

General:	
Dimensions (HxWxD)	73.5x72x89mm
Text display	supplied
Series	eneo Candid Box, eneo COAXIZE, eneo KX-Series
Housing	Indoor
Color (housing)	Pantone Cool Gray 1C
Housing material	Aluminium
Supply voltage	12VDC, 24VAC
Power consumption	6W
Vandal proof	no
Operating temperature	-10°C ~ +50°C
Weight	300g

MPC-54A0003M0A

Continuation of the specifications

DORI:	
Observe (62 px/m)	32 - 88 m
Recognize (125 px/m)	14 - 43 m
Identify (250 px/m)	6,6 - 21 m
Detect (25px/m)	80 - 215 m
Functions:	
Motion detector	yes
OSD function control	OSD camera setup
Menu languages	English, German, Japanese, Chinese, Korean
Mirror function	V flip, H-flip, H/V flip
Privacy zone masking	Areas-ON/OFF switchable
Digital Noise Reduction	yes
Analysis functions	Defog, Digital image stabilization
Camera:	
Imager	Sony STARVIS, Sensor IMX326, CMOS
Automatic electronic shutter (ESC)	1/25 ~ 1/30.000sec.
Flickerless function	yes
Backlight compensation	BLC, HLC
Low speed shutter	yes
Manual electronic shutter (MES)	1/25 ~ 1/30.000sec
Signal-to-noise ratio	50dB
Day&Night mode	Automatic, Day, Night, night-color mode
White balance	AUTO, AUTOext, Manual, Preset
Wide Dynamic Range (WDR)	Real Time WDR 25/30fps, D-WDR, WDR 113dB
System	True Day&Night
Sensor size	1/2.9"
Day&Night switch	ICR
Sensitivity	0,1 Lux at F1,6, 40 IRE
Camera type	Zoom Camera
Parts supplied:	
Parts supplied	manual
Lens:	
Lens Type	auto focus zoom
Focal Length	3,2 - 9 mm
Iris Control	DC
Zoom Factor	3x
Digital Zoom	yes
MOD (Minimum Object Distance)	0,5 m
Aperture range (F)	F1.6
Interfaces / Inputs/ Outputs:	
External connectors	voltage input, 1x SDI Signal (BNC), 1x HD Analog Signal (BNC)

MPC-54A0003M0A

Continuation of the specifications

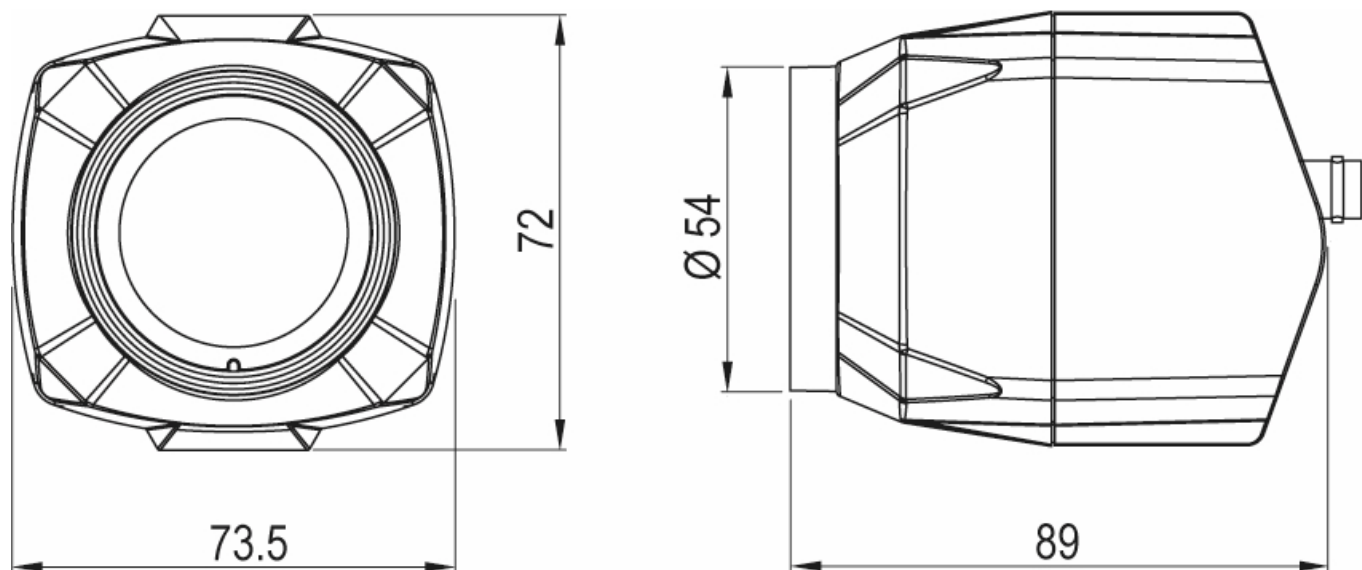
Serial interfaces protocols	UTC (HD-Signal Format)
Video outputs	AHD, EX-SDI, HD-SDI, HD-TVI
Alarm inputs	nein
Alarm outputs	no
Serial interfaces	Coaxitron (HD Protocol), RS-485
Video:	
Synchronization	internal
Signal format	AHD @ 4MP, EX-SDI @ 4MP, HD-SDI (1.485 Gbps), HD-TVI @ 4MP
Frame rate	25/30fps @ 1280x720p, 25/30fps @ 1920x1080p, 25/30fps @ 2560x1440p
Other	
Remarks	NDAA compliance under Section 889
Special features	Pointing Zoom -- enables the flexible zooming at any area, Preset Zoom (4 adjustable positions)
Video standard	PAL/NTSC
Resolution Pixels	1280x720, 1920x1080, 2560x1440
Horizontal Angle of View	75 - 26°
Vertical Angle of View	41 - 15°
Manufacturer order number	218643

Optional Accessory

SKU	Name	Description
225085	MAM-5DC1004M0A	Distributor, 1x BNC Input HD-TVI, CVI, AHD, CVBS, 4x BNC Output
220299	MAM-5MM1001M0A	Converter, HD-CVI, HD-TVI, AHD, Composite to HDMI, VGA, Composite, Indoor
236125	MAM-5MM2203M0A	Converter, 4K HD-TVI, HD-CVI, AHD, auf HDMI, Indoor 12VDC
218653	PS12DC-11	Plug-in Power Supply Unit, 100-240VAC/12VDC (1,0A), regulated, with DC Plug
212984	TVA-1201TRA	UTP Transmitter+Receiver, UTP, BNC, 250m, Indoor, HD TVI CVI, AHD, CVBS, Active, 12V
212985	TVA-1201TRP	UTP Transmitter+Receiver, UTP, BNC, 150m, Indoor, HD TVI CVI, AHD, CVBS, Passive
219504	WD-30	Wall Mount Bracket with Ball Joint, 1/4" Camera Fixing Screw, Pantone Cool Grey 1C

MPC-54A0003M0A

Technical Drawing



Maße / Dimensions: mm



eneo is a registered trademark of
VIDEOR E. Hartig GmbH
Carl-Zeiss-Straße 8

63322 Rödermark, Deutschland

Phone: +49 6074 - 888 - 300
Fax: +49 6074 - 888 - 100
E-Mail: info@eneo-security.com
Web: www.eneo-security.com

Stay informed and subscribe
to the eneo newsletter

